

ESSEX JUNCTION
VT ROUTE 2A: STA PA 15+77.00 RT STA L 40+30.00 LT
STA PA 15+83.00 RT STA L 40+52.00 LT
STA PA 17+60.00 LT

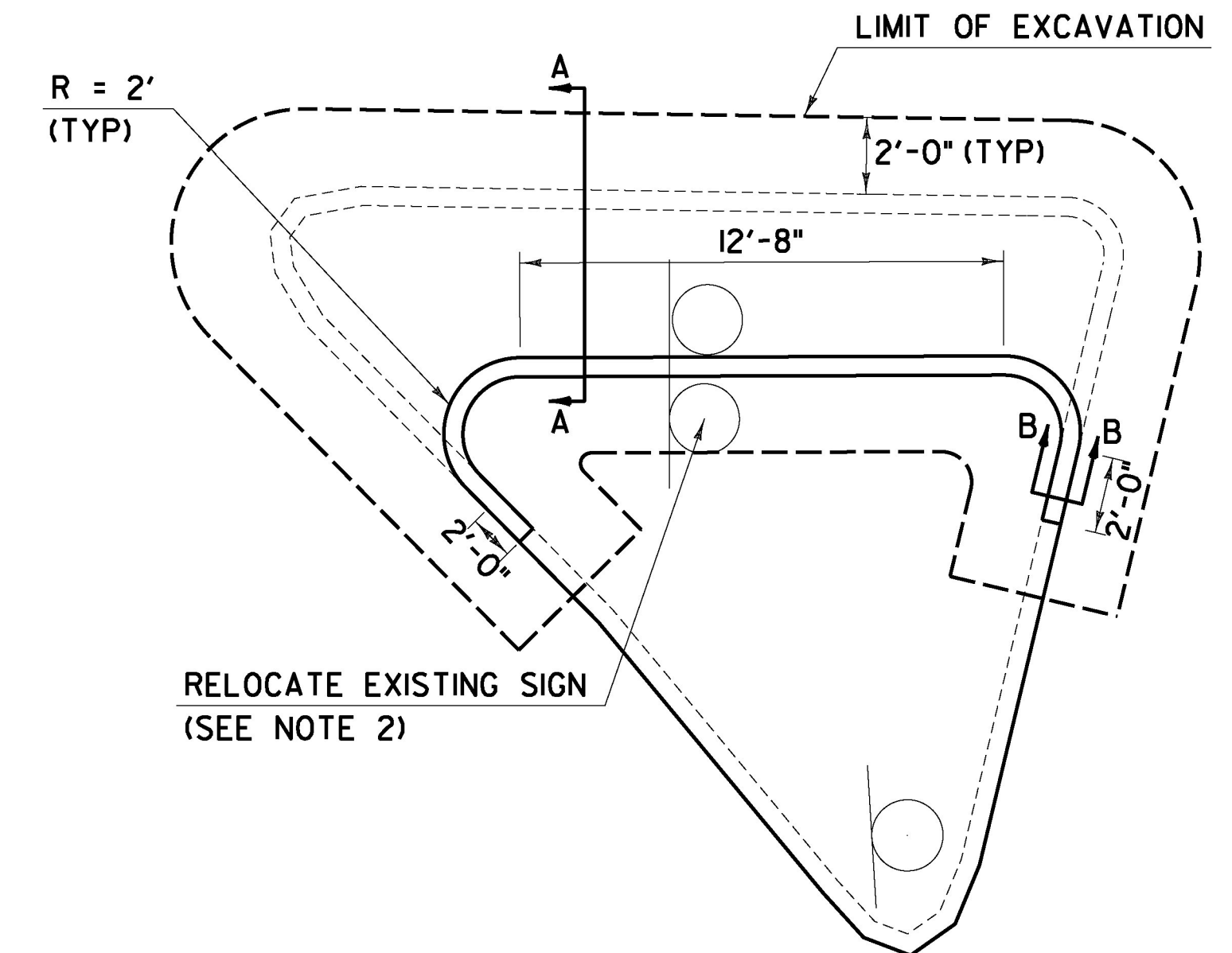
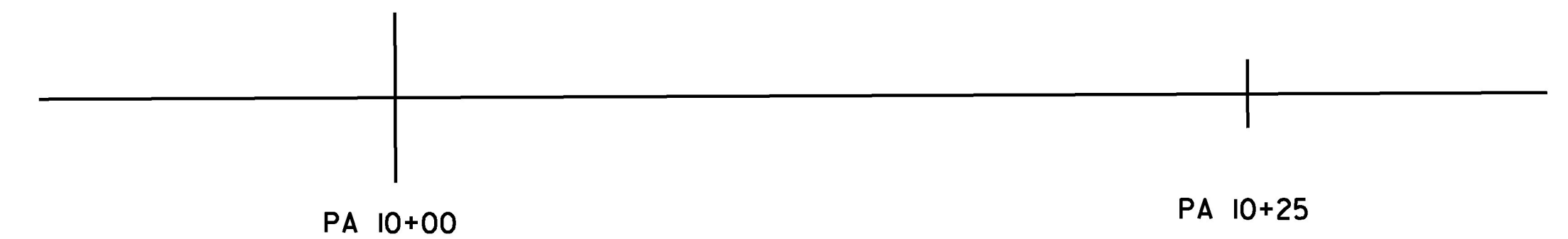
MINIMUM SIGN SIGHT DISTANCE CHART

APPROACH SPEED (mph)	SIGHT DISTANCE (feet)
30 OR LESS	300
35	350
40	400
45	450
50	500
55	550

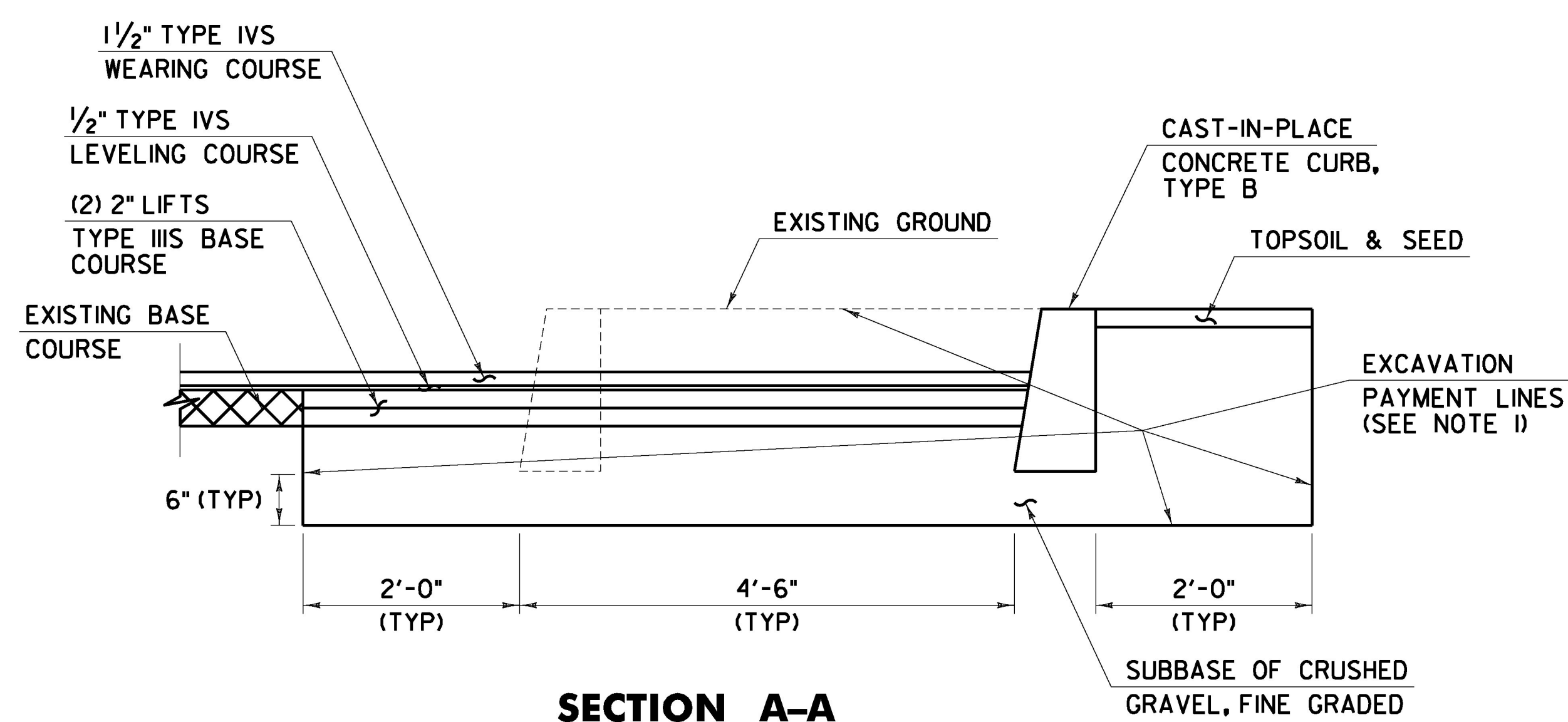
THINNING AND TRIMMING FOR SIGNS DETAIL

NOTES:

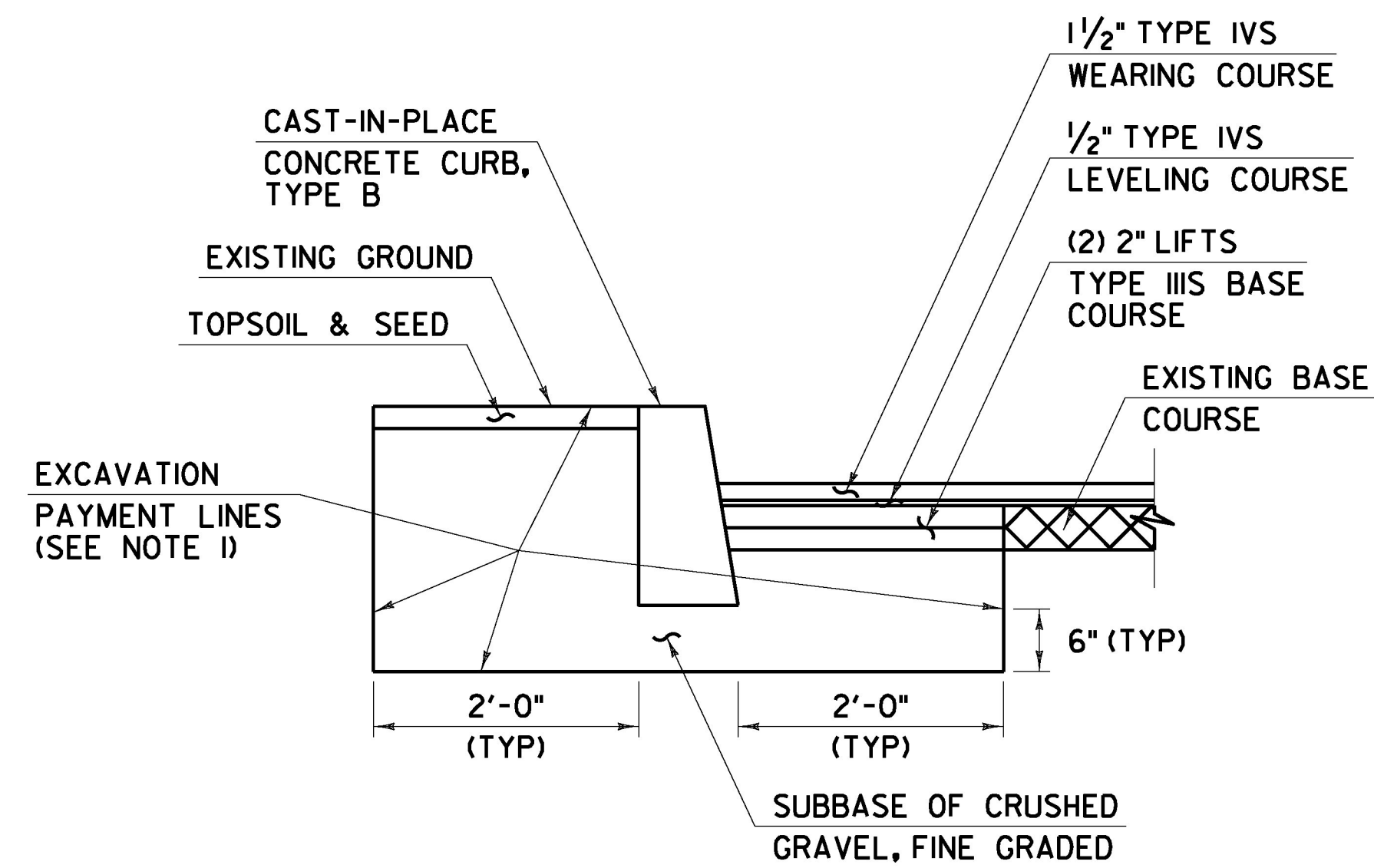
1. THE CONTRACTOR SHALL SEEK APPROVAL FROM THE VILLAGE OF ESSEX JUNCTION'S TREE COMMITTEE BEFORE MAKING ANY MODIFICATIONS TO TREES.
2. THE CONTRACTOR SHALL REMOVE ALL WOODY STEMMED GROWTH INCLUDING BRUSH, SAPLINGS AND TREE LIMBS GROWING WITHIN OR PROJECTING INTO THE CLEARANCE AREA DOWN TO GROUND LEVEL OR AT LEAST 10 FEET BELOW THE BOTTOM OF THE SIGN, WHICHEVER IS LESS.
3. PAYMENT WILL BE FOR THINNING AND TRIMMING FOR SIGNS, ITEM 201.31 AND PAID FOR PER EACH SIGN.
4. NO CHEMICALS (POISONS OR DEFOLIANTS) WILL BE ALLOWED.



CURBED ISLAND ADJUSTMENT DETAIL



SECTION A-A



SECTION B-B

NOTES:

1. PAYMENT FOR EXCAVATION WILL BE MADE UNDER ITEM 608.25 ALL PURPOSE EXCAVATOR RENTAL, TYPE I.
2. SIGN SHALL BE RELOCATED WITH NEW CURB AS DIRECTED BY THE ENGINEER. COSTS ASSOCIATED WITH RELOCATING SIGN WILL BE CONSIDERED INCIDENTAL TO ITEM 616.28 CAST-IN-PLACE CONCRETE CURB, TYPE B.

NOT TO SCALE



PROJECT NAME: ESSEX JUNCTION
PROJECT NUMBER: STP 2956(I)

FILE NAME: z14v25lmd+01.dgn
PROJECT LEADER: D.GOZALKOWSKI
DESIGNED BY: J. OLSEN
MISCELLANEOUS DETAIL SHEET

PLOT DATE: 5/2/2016
DRAWN BY: A. KIRBY
CHECKED BY: J. SHIELDS
SHEET 27 OF 171