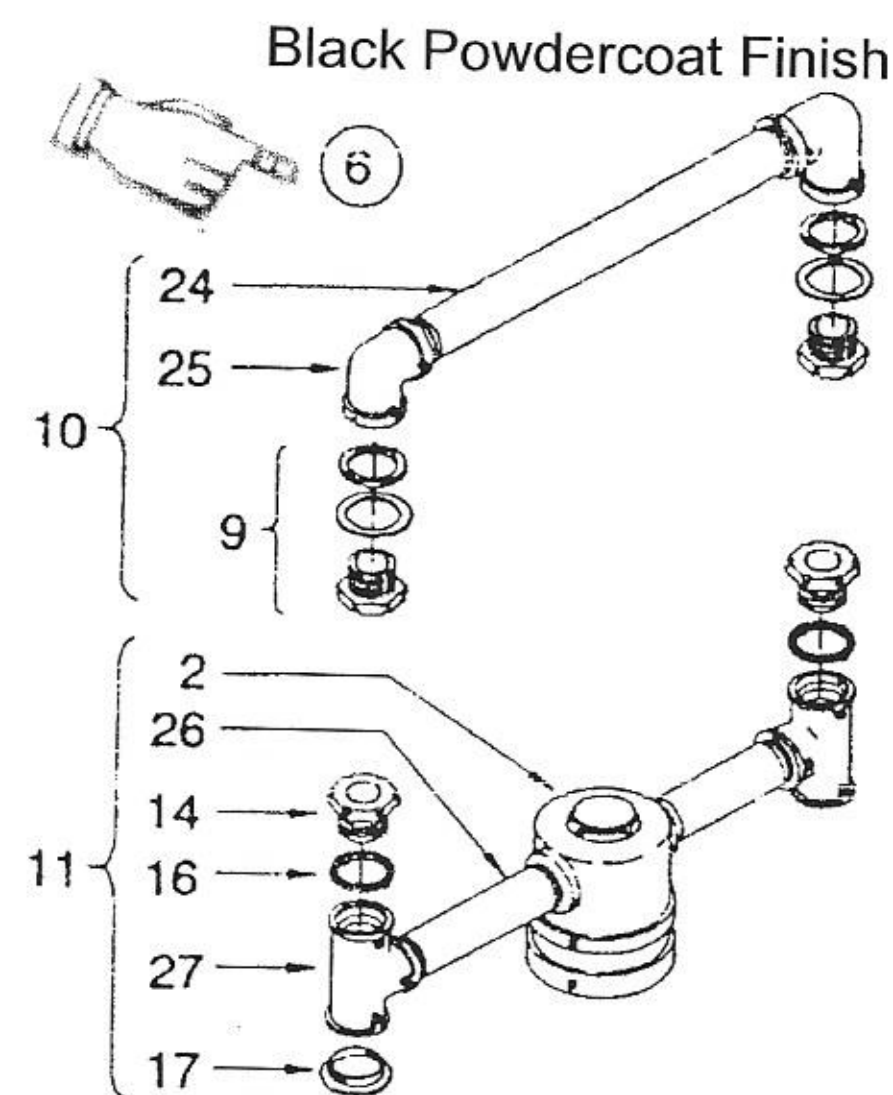
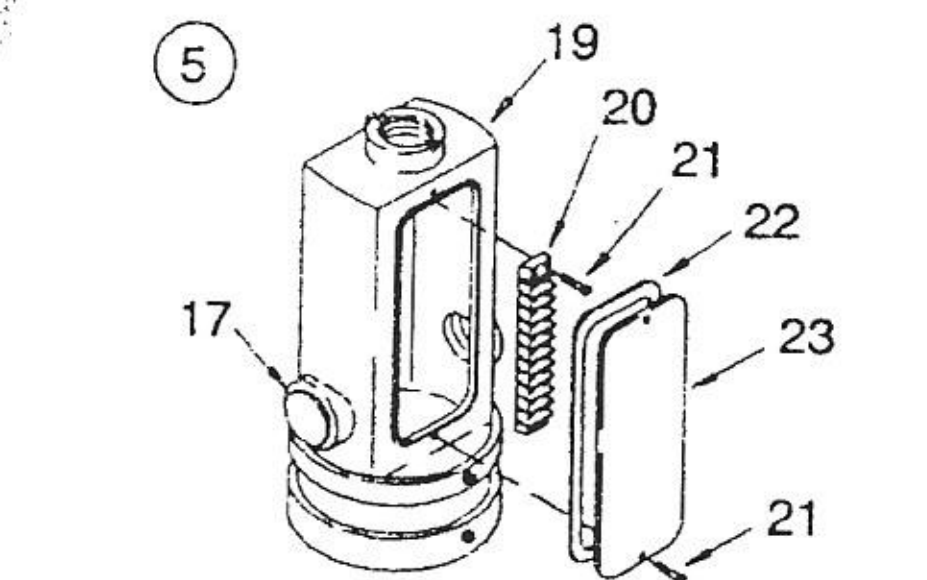
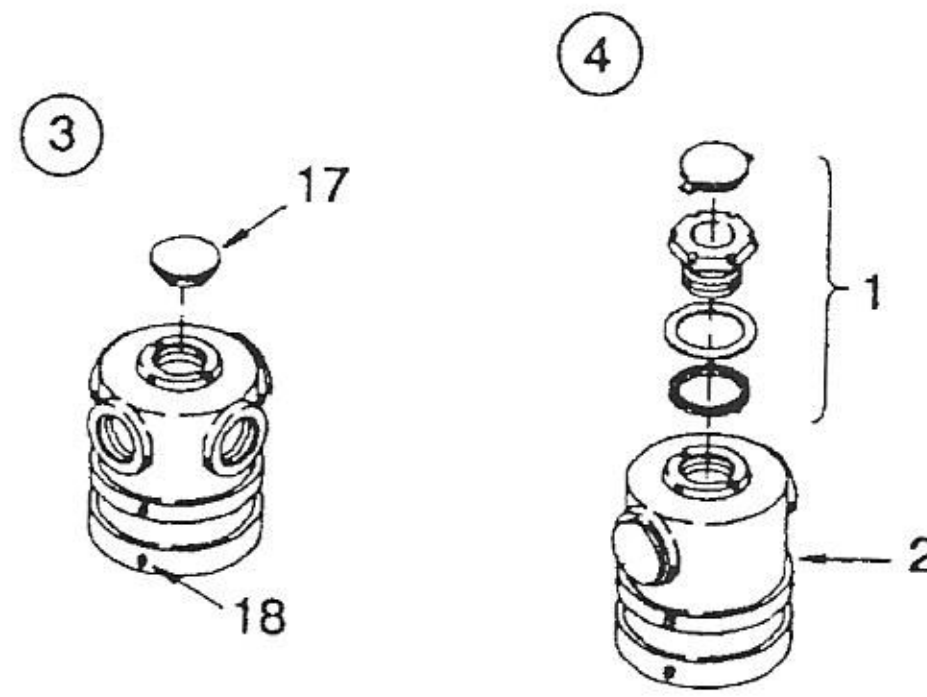
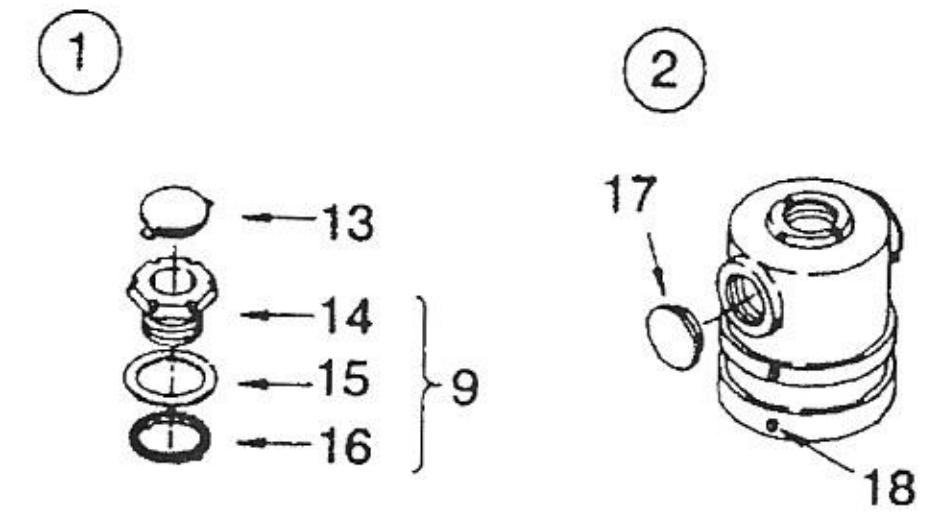




## IRON POST TOP SIGNAL MOUNTINGS, 1½"



ITEM	DESCRIPTION	PART NO.
①	SIGNAL MOUNTING KIT, Iron .....	SE-3174
②	1 & 2-WAY SLIP FITTER, Iron .....	SE-3175
③	3 & 4-WAY SLIP FITTER ASSY., Iron .....	SE-3176
④	1-WAY SLIP FITTER ASSY., Iron .....	SE-3177
⑤	POST TOP VERTICAL TERMINAL COMPARTMENT ASSEMBLY, Iron .....	SE-3178
⑥	2-WAY UPPER & LOWER SLIP FITTER ASSEMBLY, Iron .....	SE-3181
⑦	2-WAY SLIP FITTER ASSY., Iron .....	SE-3183
⑧	2-WAY SLIP FITTER ASSY. W/ Terminal Compartment, Iron .....	SE-3184
9	UPPER ASSEMBLY KIT, Iron .....	SE-3150
10	2-WAY UPPER ARM ASSY., Iron .....	SE-3179
11	2-WAY LOWER ARM ASSY., Iron .....	SE-3180
12	2-WAY UPPER ARM ASSY., Iron .....	SE-3182
13	SIGNAL CLOSURE KIT .....	SE-3054
14	CAST NIPPLE, Iron .....	SE-0435
15	NEOPRENE GASKET .....	SE-0354
16	SERRATED LOCKRING, Alum. ....	SE-0360
17	FITTING CAP, 1½" .....	SE-0304
18	SETSCREW, Square Hd., 3/8"-16 x 3/4" .....	FS-3204
19	2-WAY TERMINAL COMPARTMENT, Iron .....	SE-4021
20	TERMINAL STRIP, 12 Circuit .....	SE-0317
21	SCREW, Self Tap, Phillips Pan Hd., #10-32 x 3/4" .....	FS-3922
22	GASKET, Door .....	SE-0402
23	DOOR, Plastic .....	SE-0485
24	NIPPLE, Steel, 1½" x 14" .....	SE-0469-14
25	ELL, Iron .....	SE-4091
26	NIPPLE, Steel, 1½" x 5" .....	SE-0469-05
27	TEE, Iron .....	SE-4092
28	VERTICAL SLIP TEE, Iron .....	SE-4022
29	NIPPLE, Steel, 1½" x 6" .....	SE-0469-06
30	SUPPORT TUBE, Steel, 1½" x 48" .....	SE-0491-48
31	SUPPORT TUBE, Steel, 1½" x 37" .....	SE-0491-37

NOTE: UPPER & LOWER ARMS ARE 16½" CTC.

