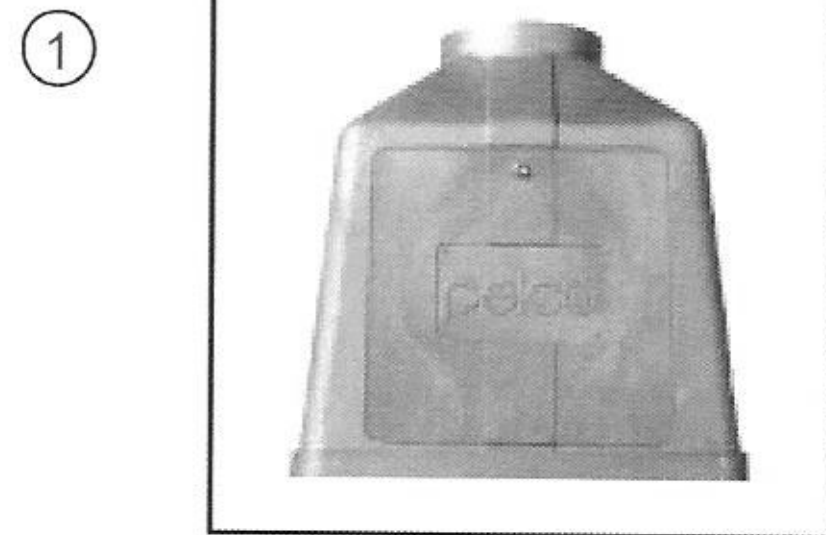




# POLES AND BASES Pedestal Bases



ITEM	DESCRIPTION	WEIGHT	PART NO.
------	-------------	--------	----------

**SQUARE BASE ASSEMBLY:**

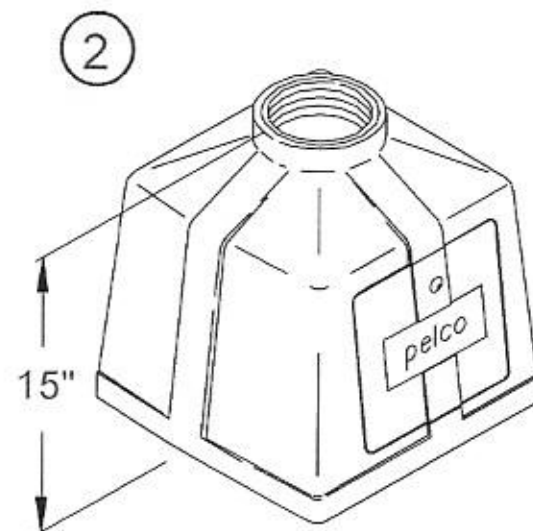
①	Aluminum	22.5 lbs.	PB-5335
	Aluminum, Heat Treated	22.5 lbs.	PB-5336
②	Alum w/ Steel Coupling	23.5 lbs.	PB-5341
③	Alum w/ Slip Fit	22.5 lbs.	PB-5339
④	Iron	76.0 lbs.	PB-5308

**OCTAGONAL BASE ASSEMBLY:**

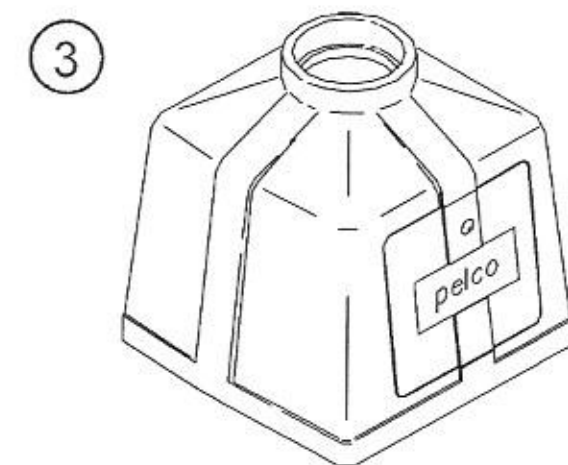
⑤	Alum w/ Alum door	25.0 lbs.	PB-5349
⑥	Alum w/ Steel Coupling and Alum Door	27.0 lbs.	PB-5351
⑦	Alum w/ Slip Fit and Alum Door	25.0 lbs.	PB-5350
⑧	Iron w/ Iron door	78.0 lbs.	PB-5310

**Notes:**

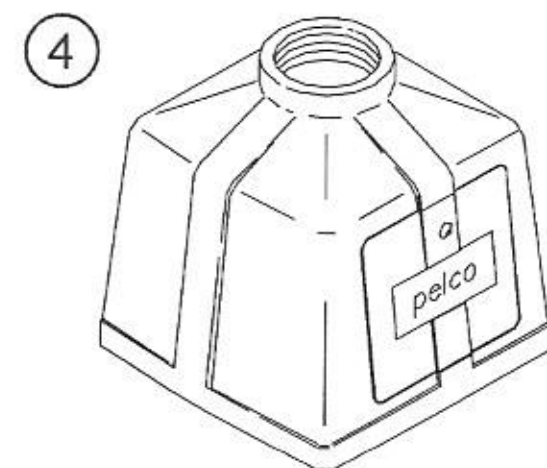
1. AASHTO Certified Square Aluminum Base: All Aluminum square bases above are available with AASHTO Certifications and FHWA approval. Please specify by adding the Certification Part No. C-1001 in addition to the base part number.
2. All assemblies are supplied standard with stainless fasteners.
3. Please specify options when ordering.



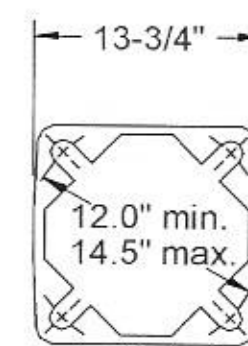
ITEM 1 & 2 OPTIONS
DOOR: Alum, Plastic, or Blank Plastic
SETSCREWS IN COLLAR: (1) 3/8" Hex Hd Bolt (3) 3/8" Soc Hd Setscrews
GROUNDING LUG
PAINT



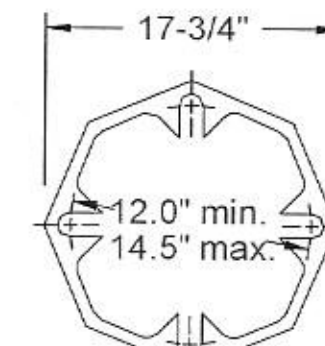
OPTIONS
DOOR: Alum, Plastic, or Blank Plastic
GROUNDING LUG
PAINT



OPTIONS
SETSCREWS IN COLLAR: (1) 3/8" Hex Hd Bolt (3) 3/8" Soc Hd Setscrews
GROUNDING LUG
GALVANIZE
PAINT

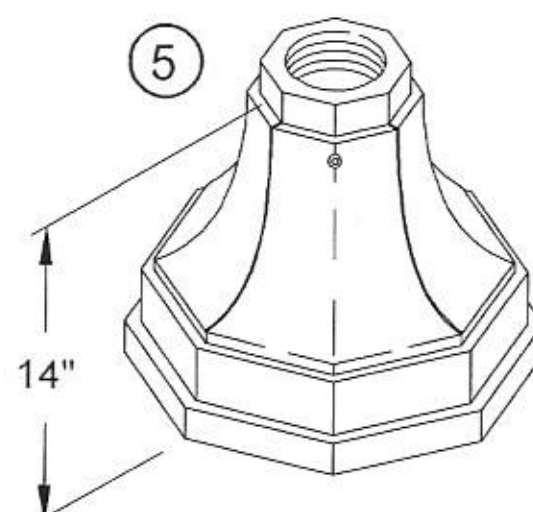


Square Base

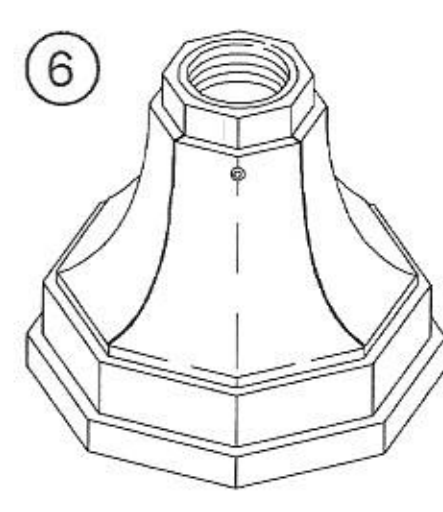


Octagonal Base

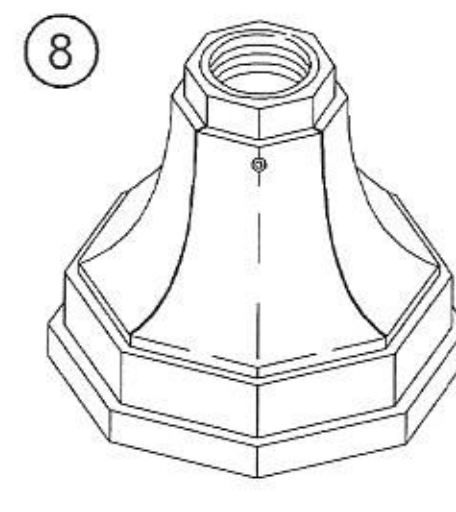
Flashing beacon base to be painted flat black. Threaded for 4 1/2" O.D. poles.



ITEM 5 & 6 OPTIONS
SETSCREWS IN COLLAR: (1) 3/8" Hex Hd Bolt (3) 3/8" Soc Hd Setscrews
GROUNDING LUG
PAINT



OPTIONS
GROUNDING LUG
PAINT



OPTIONS
SETSCREWS IN COLLAR: (1) 3/8" Hex Hd Bolt (3) 3/8" Soc Hd Setscrews
GROUNDING LUG
GALVANIZE
PAINT