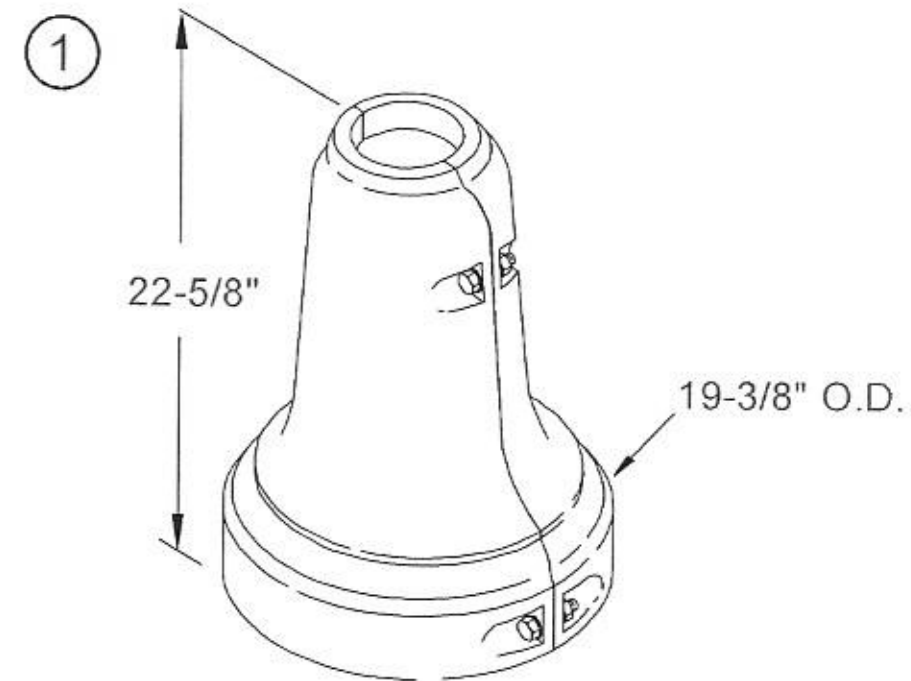




POLES AND BASES

Pedestal Bases



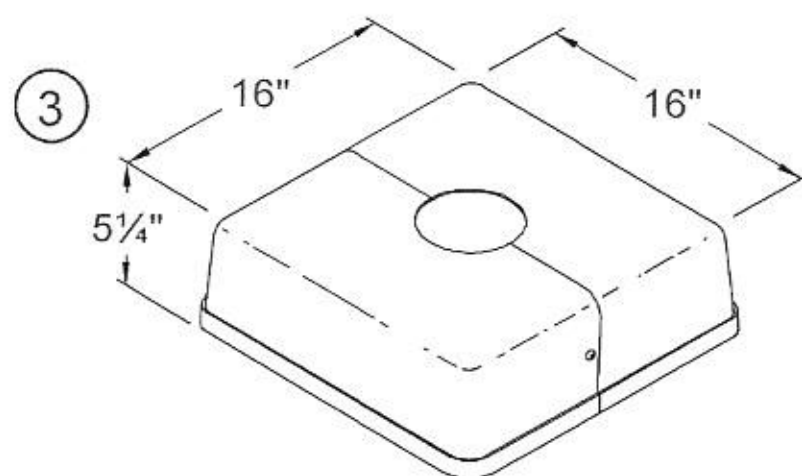
High Density Crosslinkable Polyethylene Pedestal Pole Base for 4½" O.D. poles. Complete with all hardware. No anchor bolts required.

ITEM	DESCRIPTION	WEIGHT	PART NO.
①	2-PIECE BASE, Plastic	8.0 lbs	PB-5303
②	2-PIECE REDUCER, Aluminum		PB-5328
③	2-PIECE SQUARE COVER, Aluminum		PB-5399
④	FLANGE BASE, Galvanized Iron	10.2 lbs	PB-5304
⑤	ANCHOR BOLT SET OF 3, 3/4"-10 (Includes 3 Bolts, 6 Washers and 6 Nuts)	8.6 lbs	PB-5305
⑥	ANCHOR BOLT SET OF 4, 3/4"-10 (Includes 4 each: Bolts, Washers and Nuts)		PB-5306
⑦	ANCHOR BOLT CAGE, 13" B.C. 3/4"-10 x 18", w/ 36" Rebar & Hardware		AP-1095-36
⑧	SHIM, Steel 1/16" x 2" x 2"		PB-0602
	1/8" x 2" x 2"		PB-0603



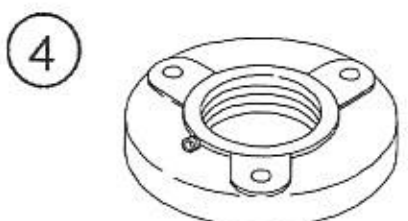
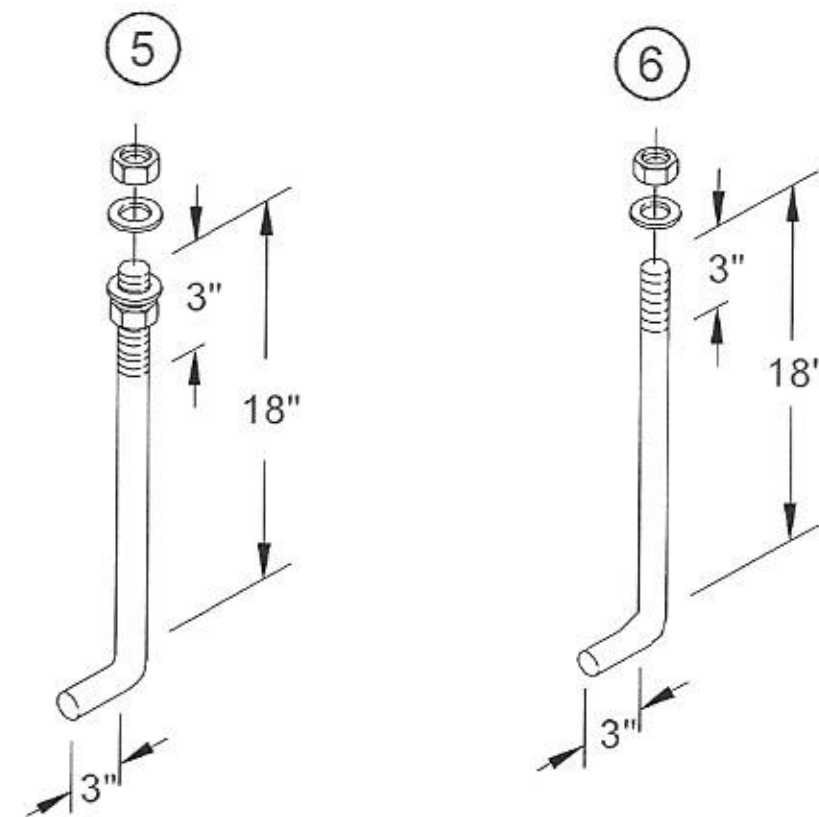
2-Piece Alum Reducer for Item 1.
(Reduces 4½" O.D. to 3½" O.D.)

items?

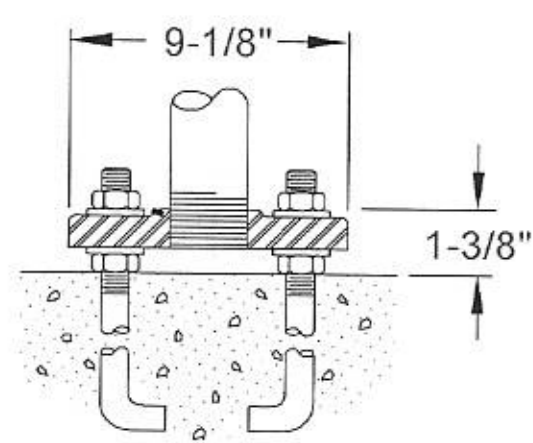


2-Piece Aluminum Square Cover.
For 4½"-8" OD Pole (15" Max. Bottom Opening). Complete with all hardware.

ITEM 3 OPTIONS
POLE DIA: 4½" - 8" OD
PAINT



Heavy Duty Galvanized Iron Flange Base. Threaded for 4½" O.D. poles. 13/16" mounting holes. 7¼" bolt circle.



Typical Application

