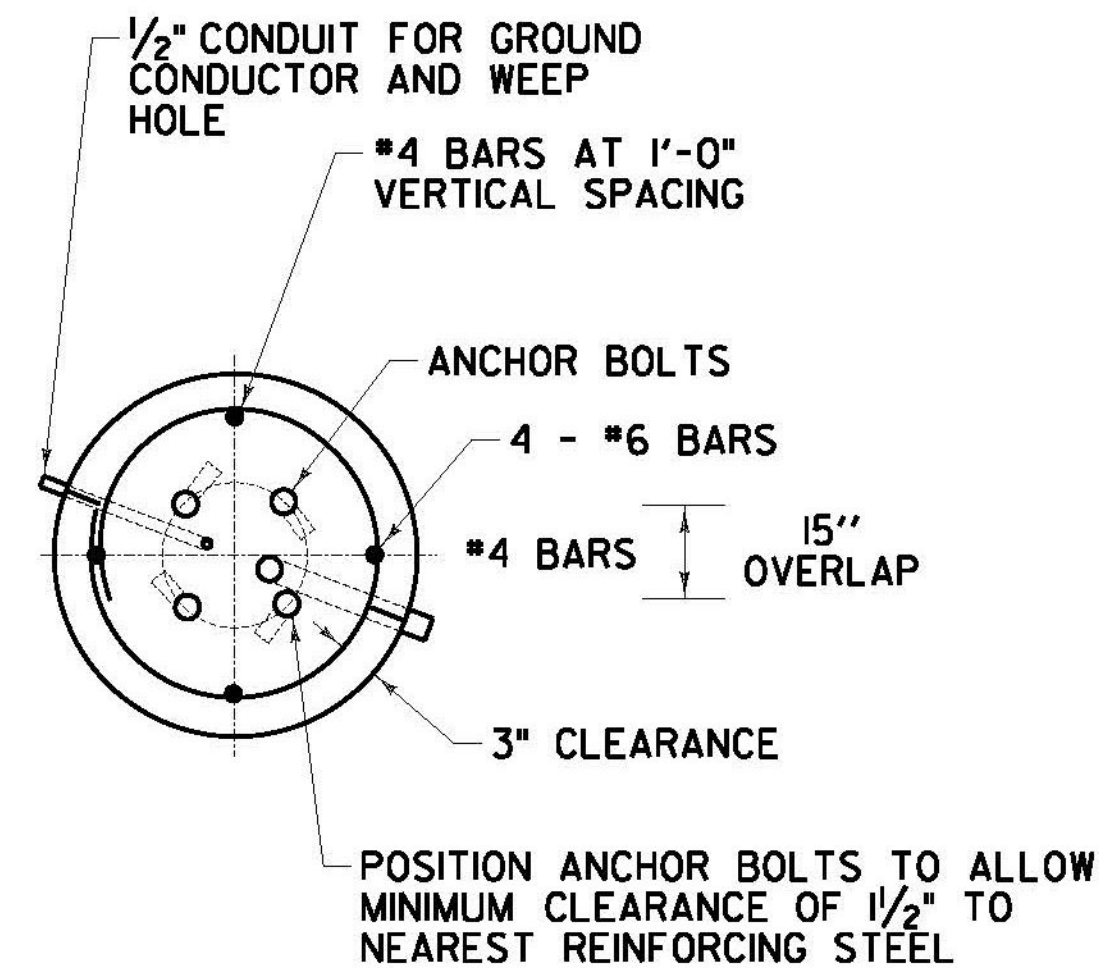
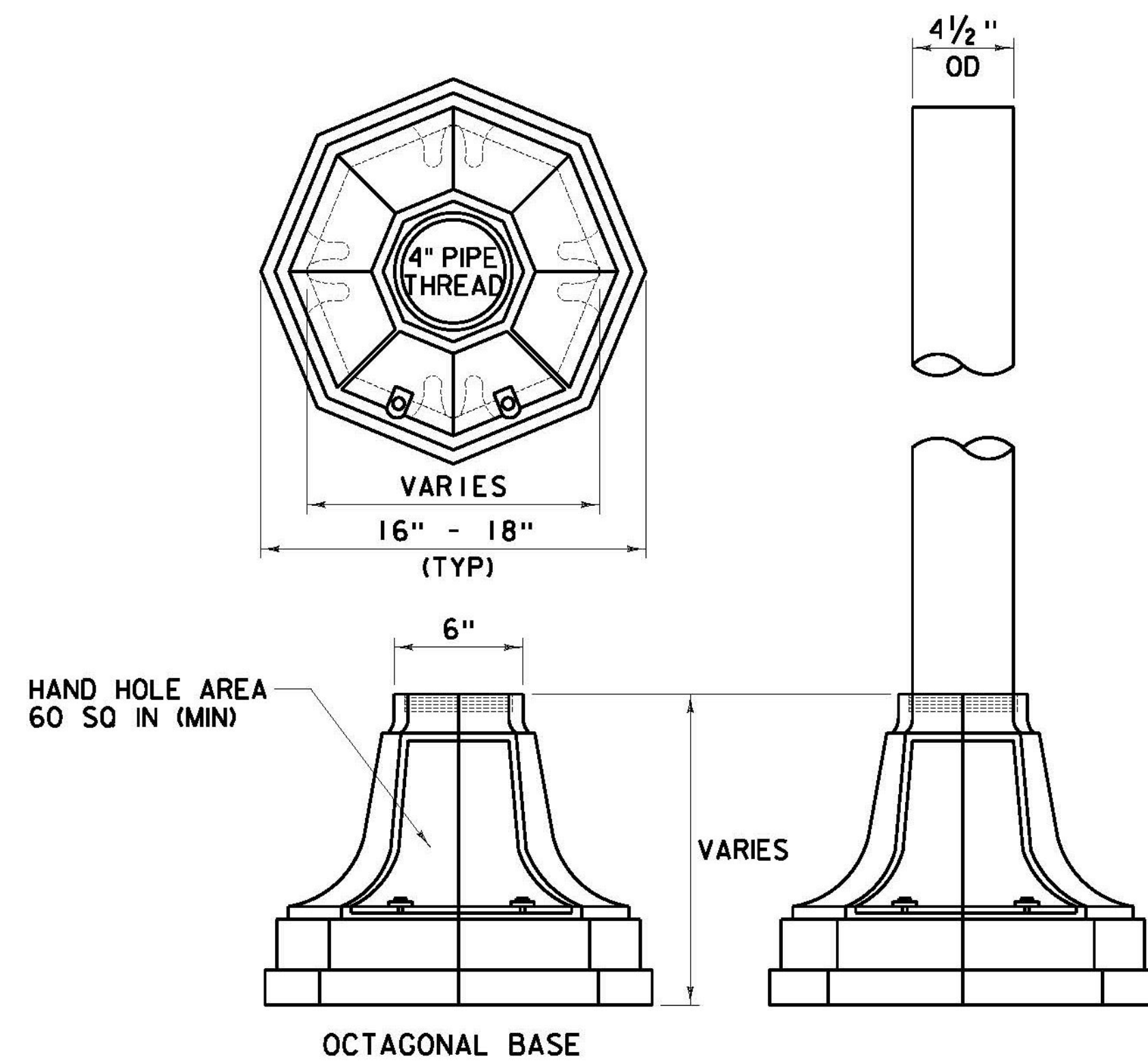


ELEVATION

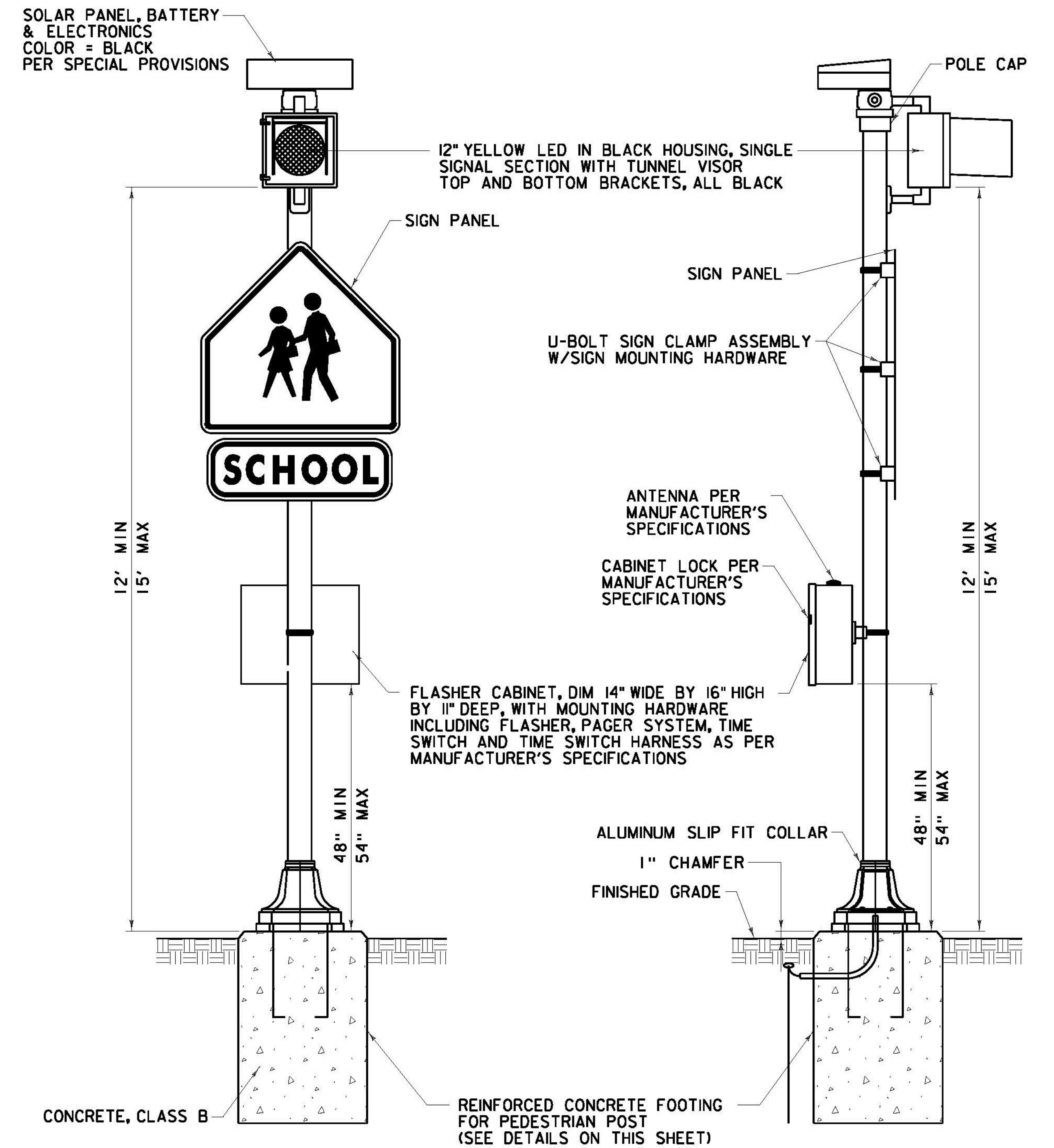


SECTION

DETAILS OF REINFORCED CONCRETE FOOTING FOR PEDESTAL POST



DETAILS OF PEDESTAL POST AND BASE



NOTES:

1. ALUMINUM POSTS AND BASES SHALL HAVE A SPUN FINISH.
2. ALL WORK SHALL BE PAID FOR UNDER ITEM 900.620 SPECIAL PROVISION (SOLAR-POWERED SCHOOL ZONE FLASHING BEACON) AS DIRECTED BY THE ENGINEER.

SOLAR SCHOOL FLASHING BEACON DETAILS SHEET

PROJECT NAME: CHESTER-SPRINGFIELD-ROCKINGHAM-WINDSOR	PLOT DATE: 3/27/2015
PROJECT NUMBER: STP 29520	DRAWN BY: A. KIRBY
FILE NAME: z13c518spfb.dgn	CHECKED BY: J. SHIELDS
PROJECT LEADER: D. GOZALKOWSKI	SHEET 96 OF 309
DESIGNED BY: A. HAWKINS	