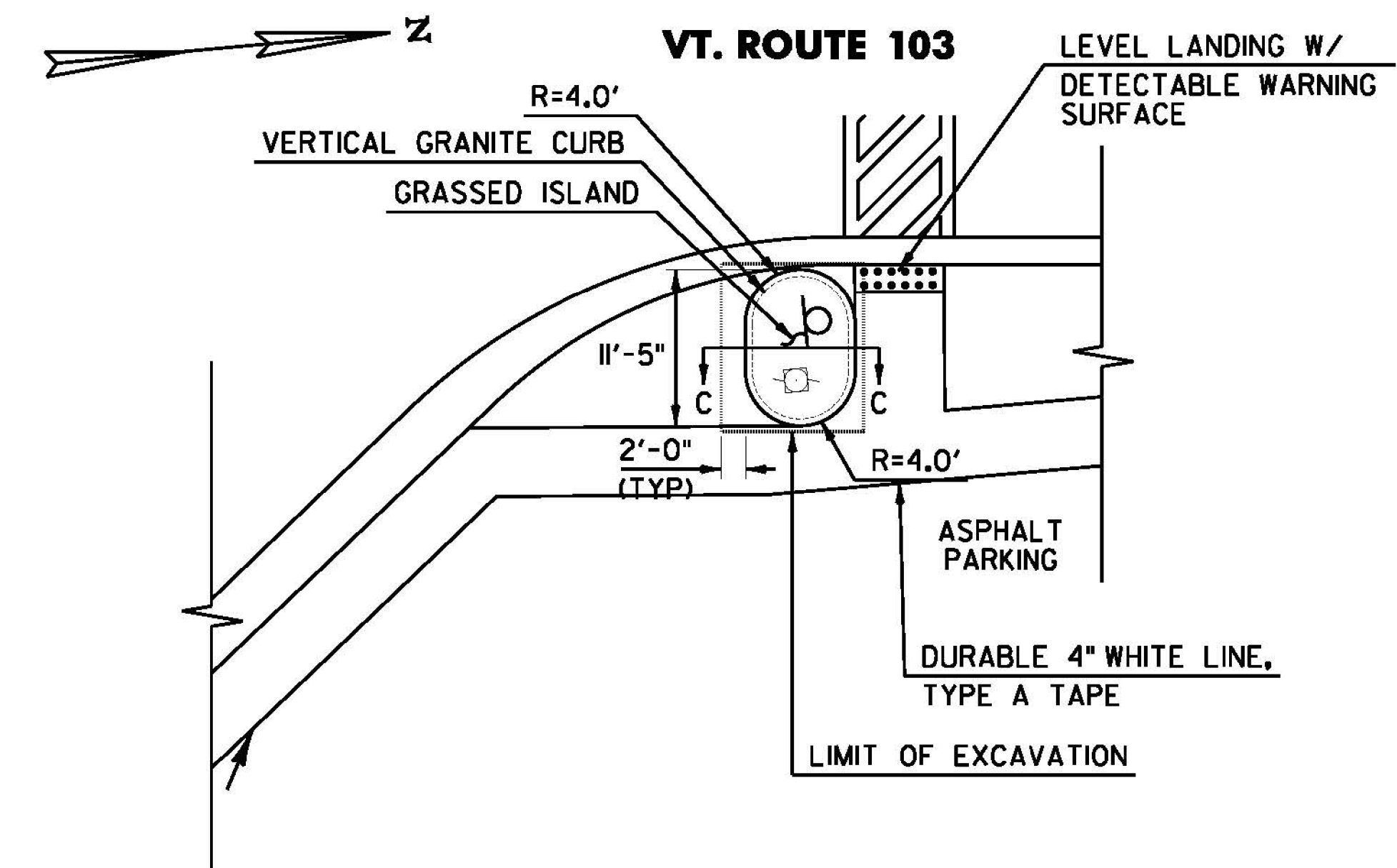
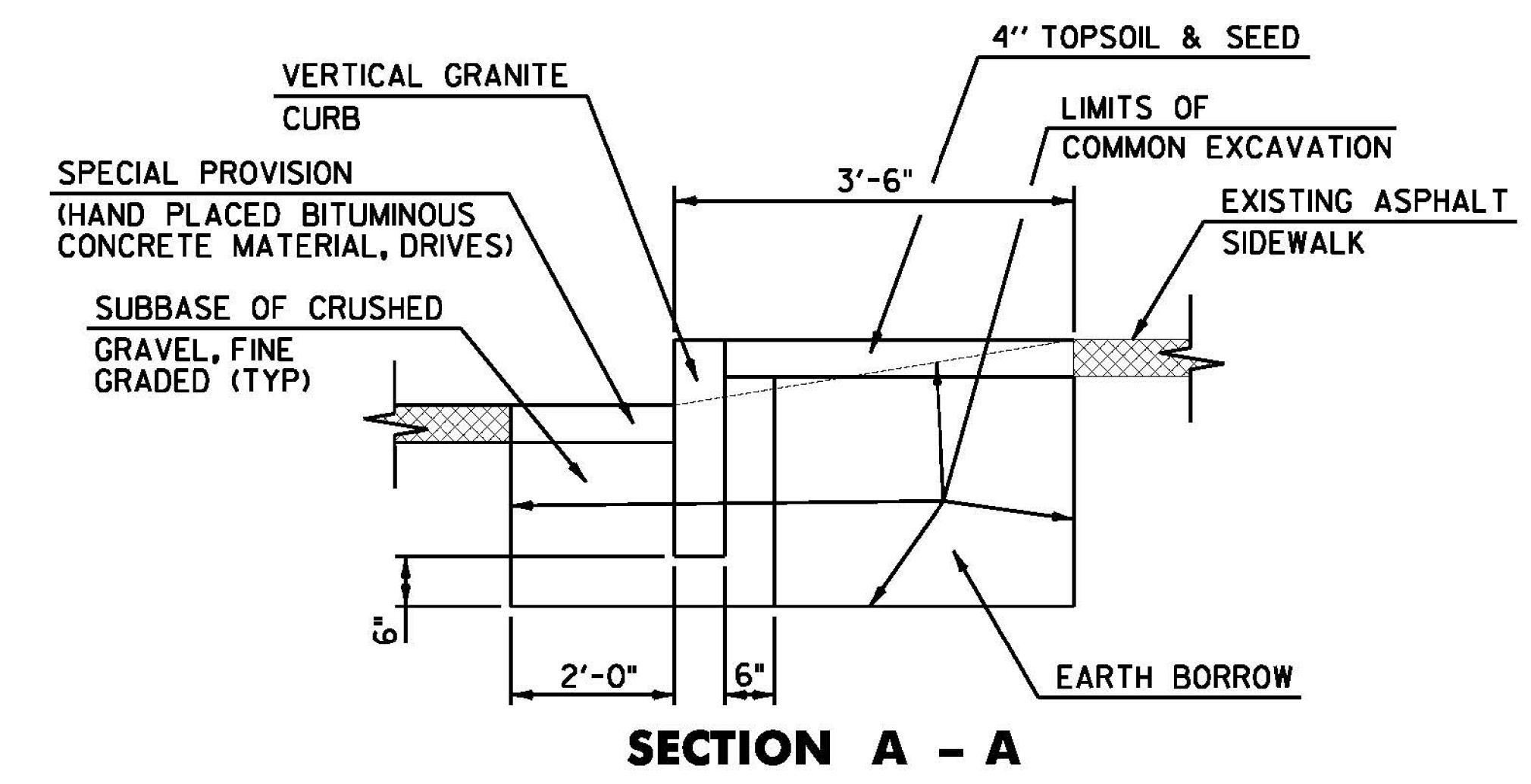


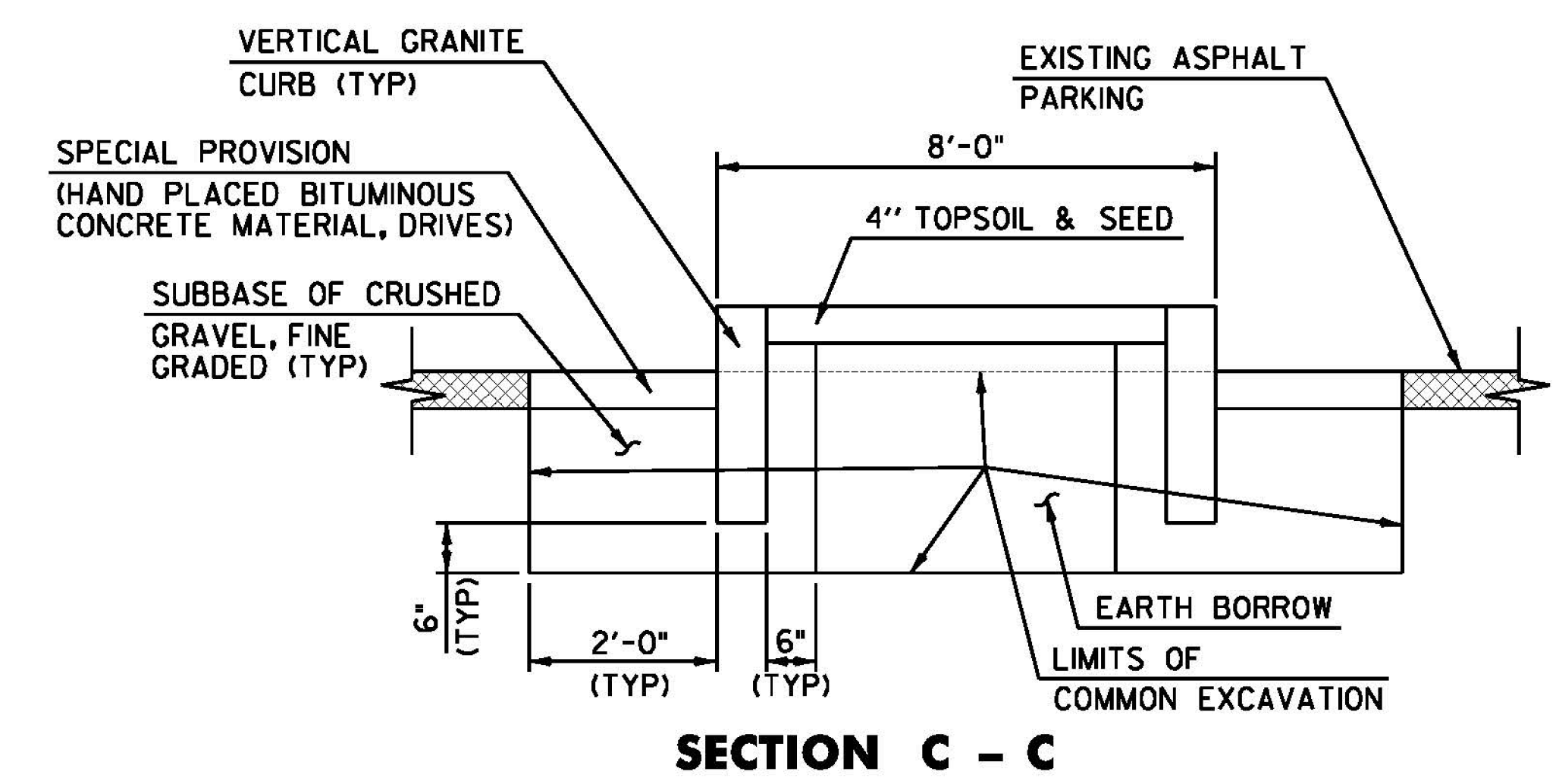
SIDEWALK RAMP REMOVAL DETAIL PLAN VIEW
VT. ROUTE 11: CHESTER STA C 257+16.0 LT & RT



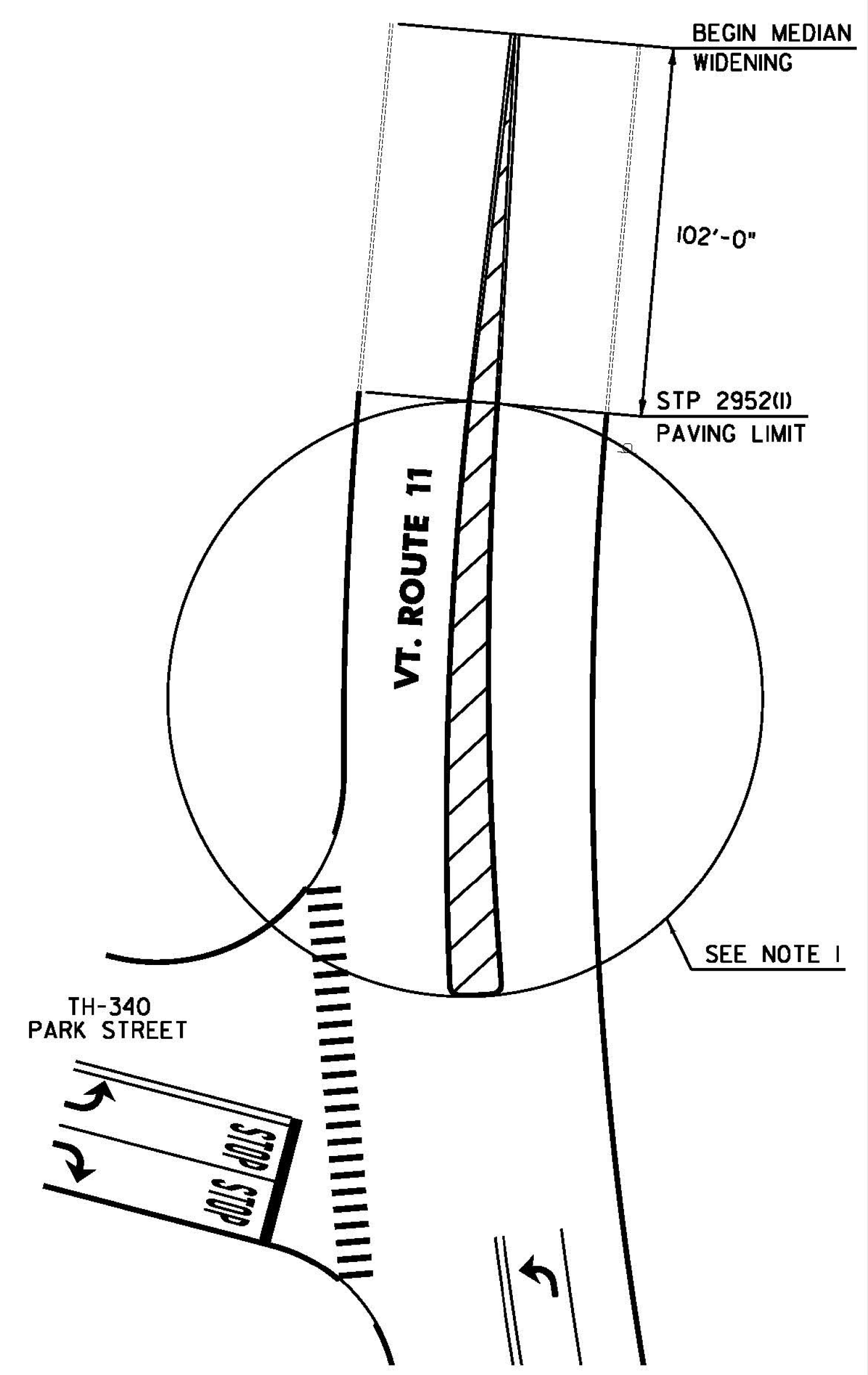
RAISED ISLAND PLAN VIEW
VT. ROUTE 11: CHESTER STA C 180+19.0 RT



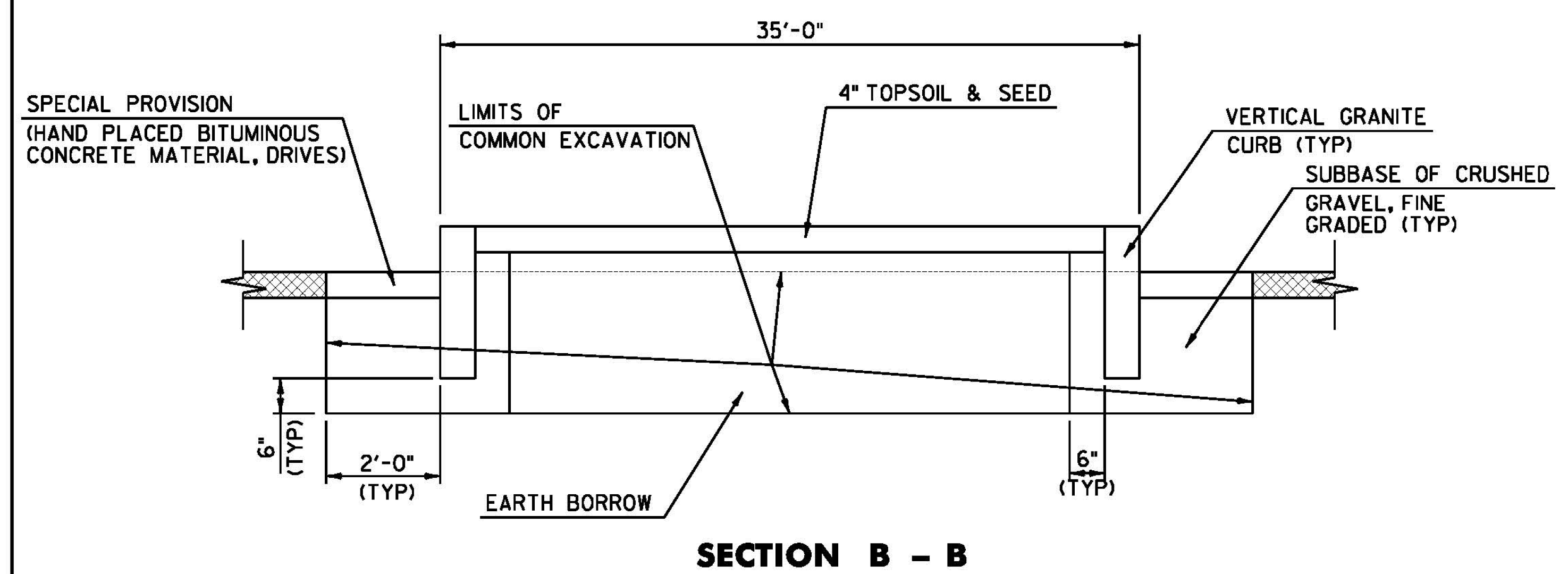
SECTION A - A



SECTION C - C



SPRINGFIELD VT. ROUTE 11 EASTBOUND APPROACH STRIPING DETAIL



SECTION B - B

NOTE:
I. SEE SHEET 108 FOR VT. ROUTE 11 PAVING LIMIT AND STRIPING ITEMS TO BE INSTALLED WITHIN THE PAVING LIMIT.
~~TEMPORARY DURABLE 4 INCH YELLOW LINE, TYPE A TAPE~~
SPRINGFIELD:
DOUBLE SOLID LT (102.0 LF)
DOUBLE SOLID C/L (102.0 LF)
~~TEMPORARY 4 DURABLE 8 INCH YELLOW LINE, TYPE A TAPE~~
SPRINGFIELD:
HATCHED MEDIAN LT (102.0 LF)
~~REMOVAL OF EXISTING PAVEMENT MARKINGS~~
SPRINGFIELD:
~~DOUBLE SOLID C/L (68.0 SF)~~

NOT TO SCALE

MISCELLANEOUS DETAILS SHEET #3	PROJECT NAME: CHESTER-SPRINGFIELD-ROCKINGHAM-WINDSOR	PLOT DATE: 3/27/2015
	PROJECT NUMBER: STP 2952(1)	DRAWN BY: A. KIRBY
	FILE NAME: z13c518md+03.dgn PROJECT LEADER: D. GOZALKOWSKI DESIGNED BY: A. HAWKINS	CHECKED BY: J. SHIELDS SHEET 17 OF 309