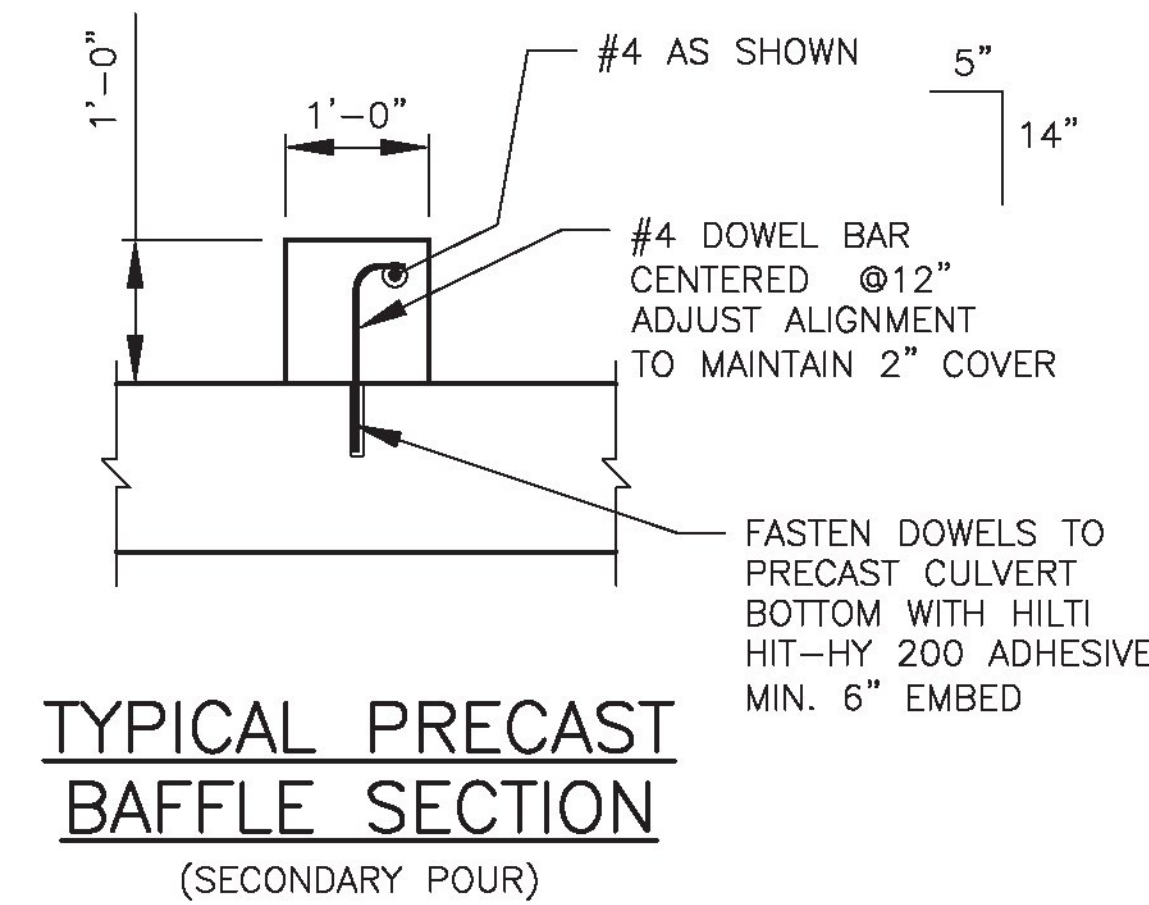
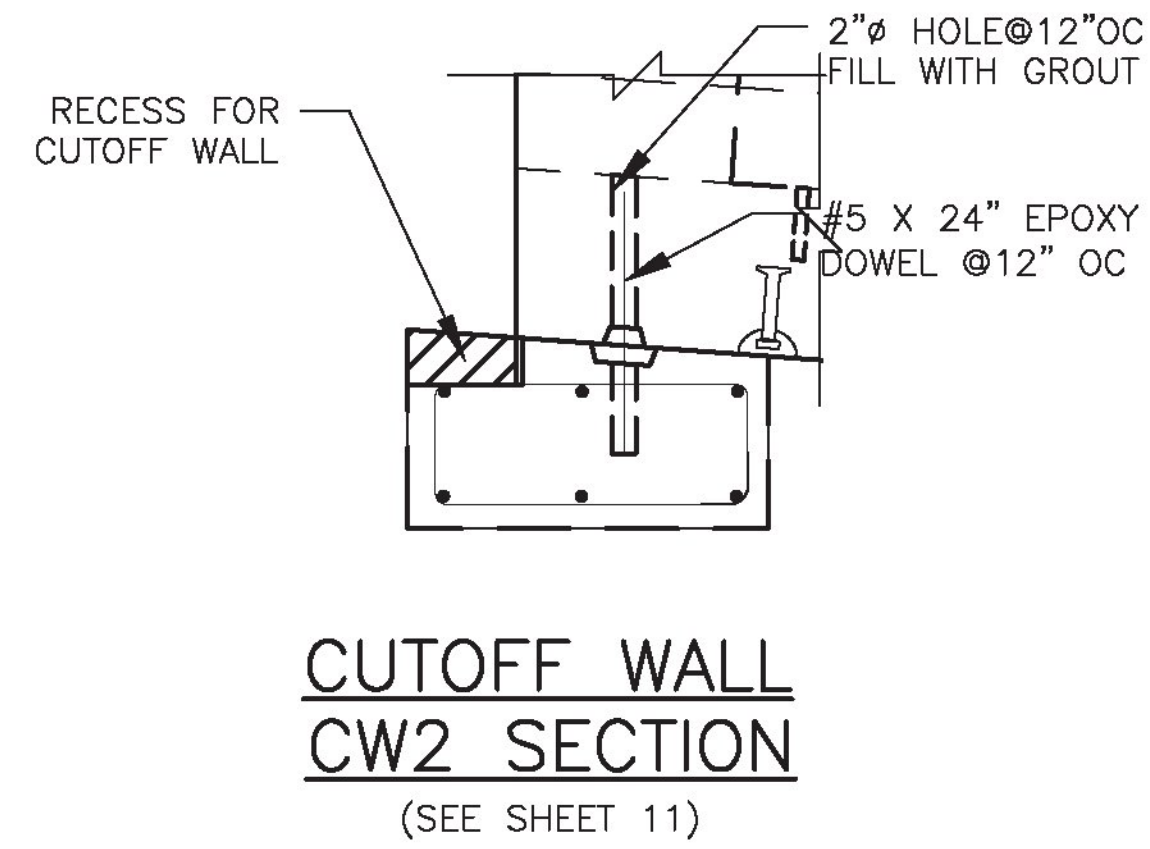


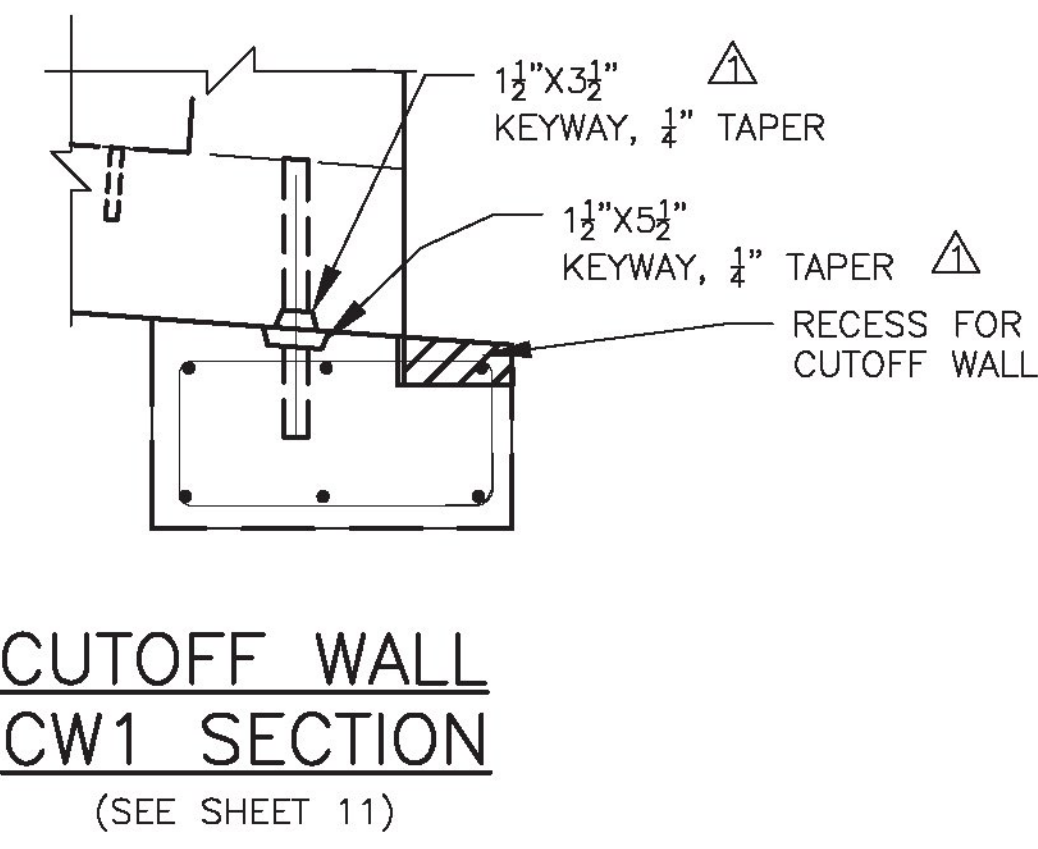
WINGWALL CONNECTION DETAIL
(TYPICAL)



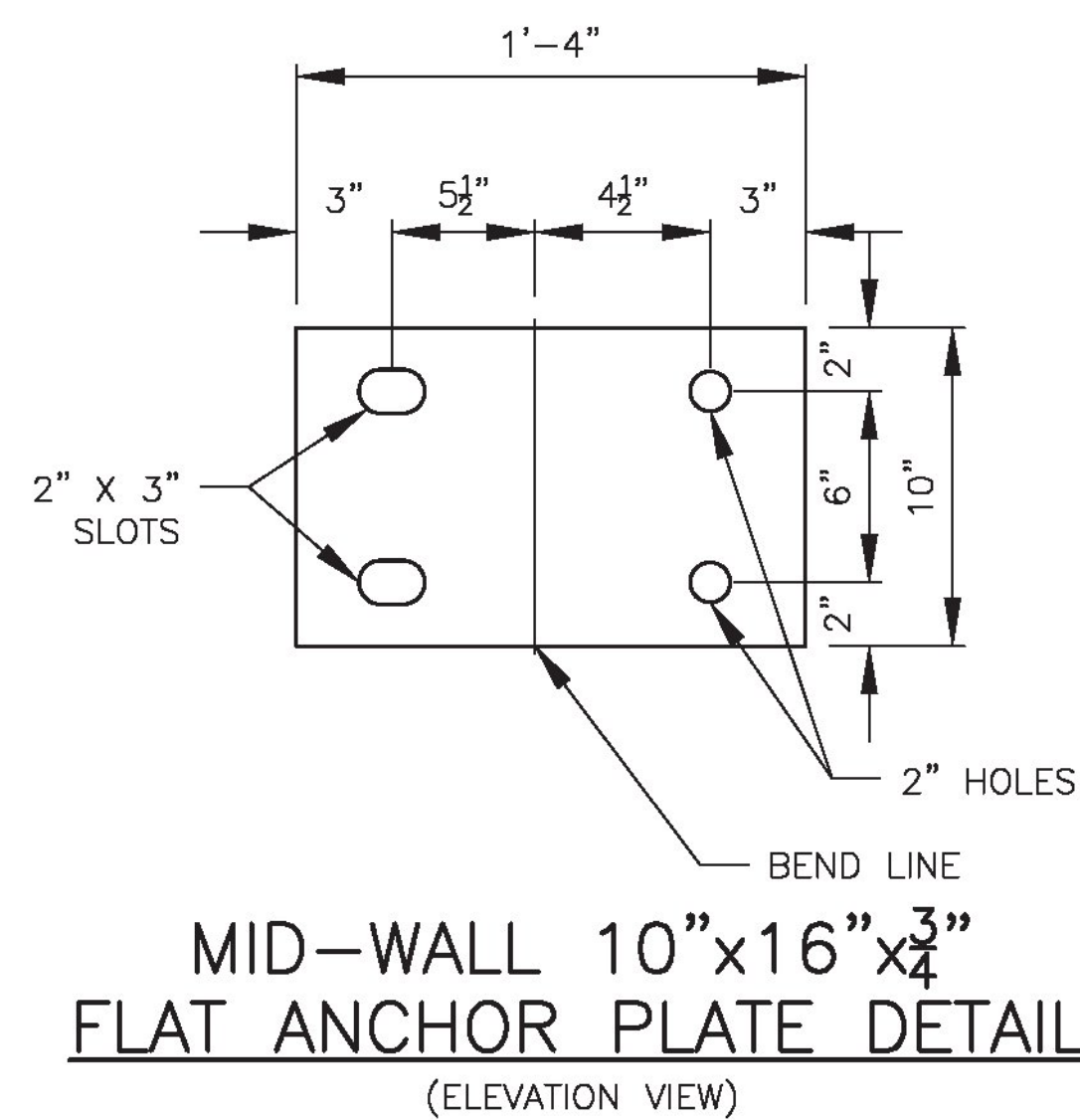
TYPICAL PRECAST BAFFLE SECTION
(SECONDARY POUR)



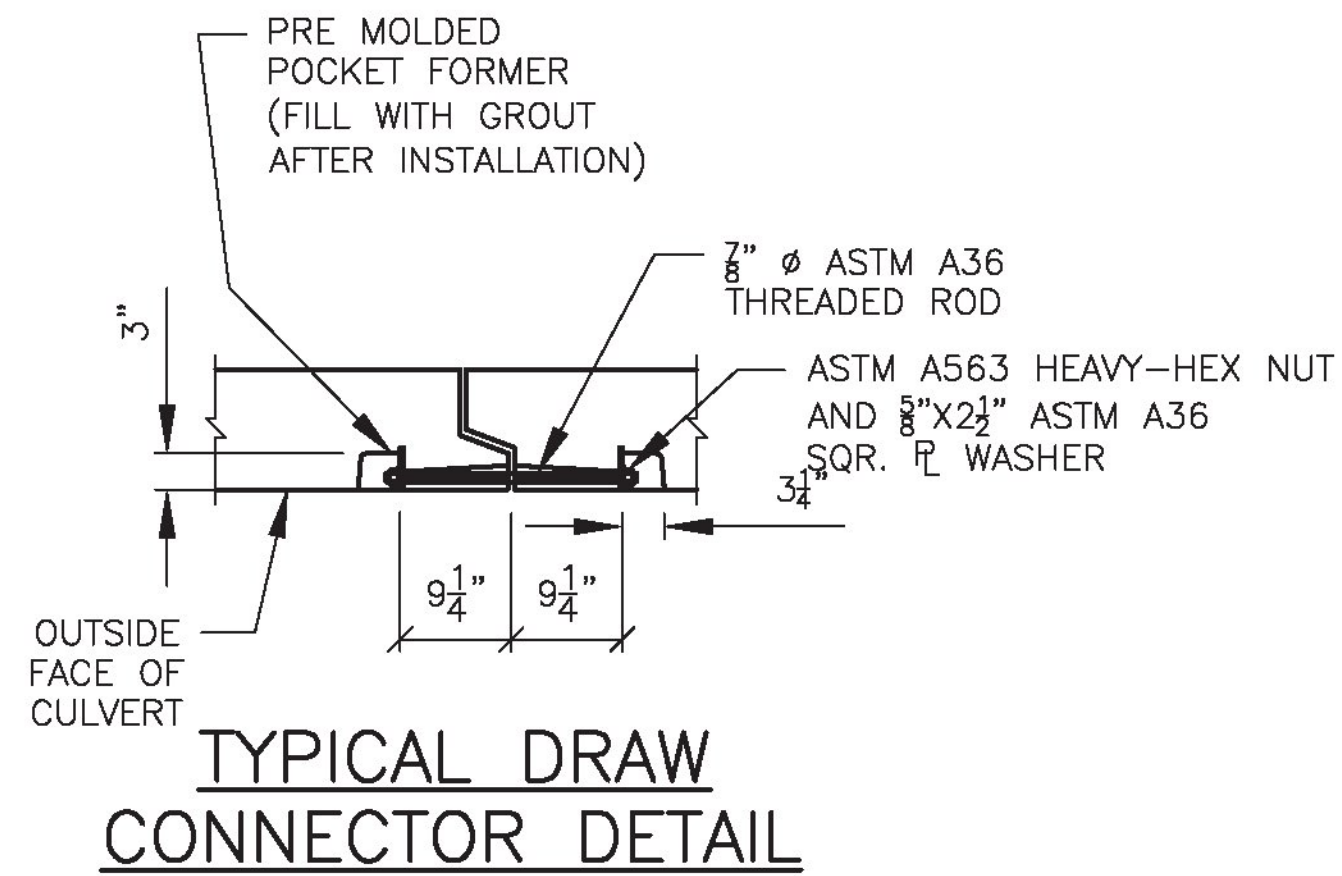
CUTOFF WALL CW2 SECTION
(SEE SHEET 11)



CUTOFF WALL CW1 SECTION
(SEE SHEET 11)

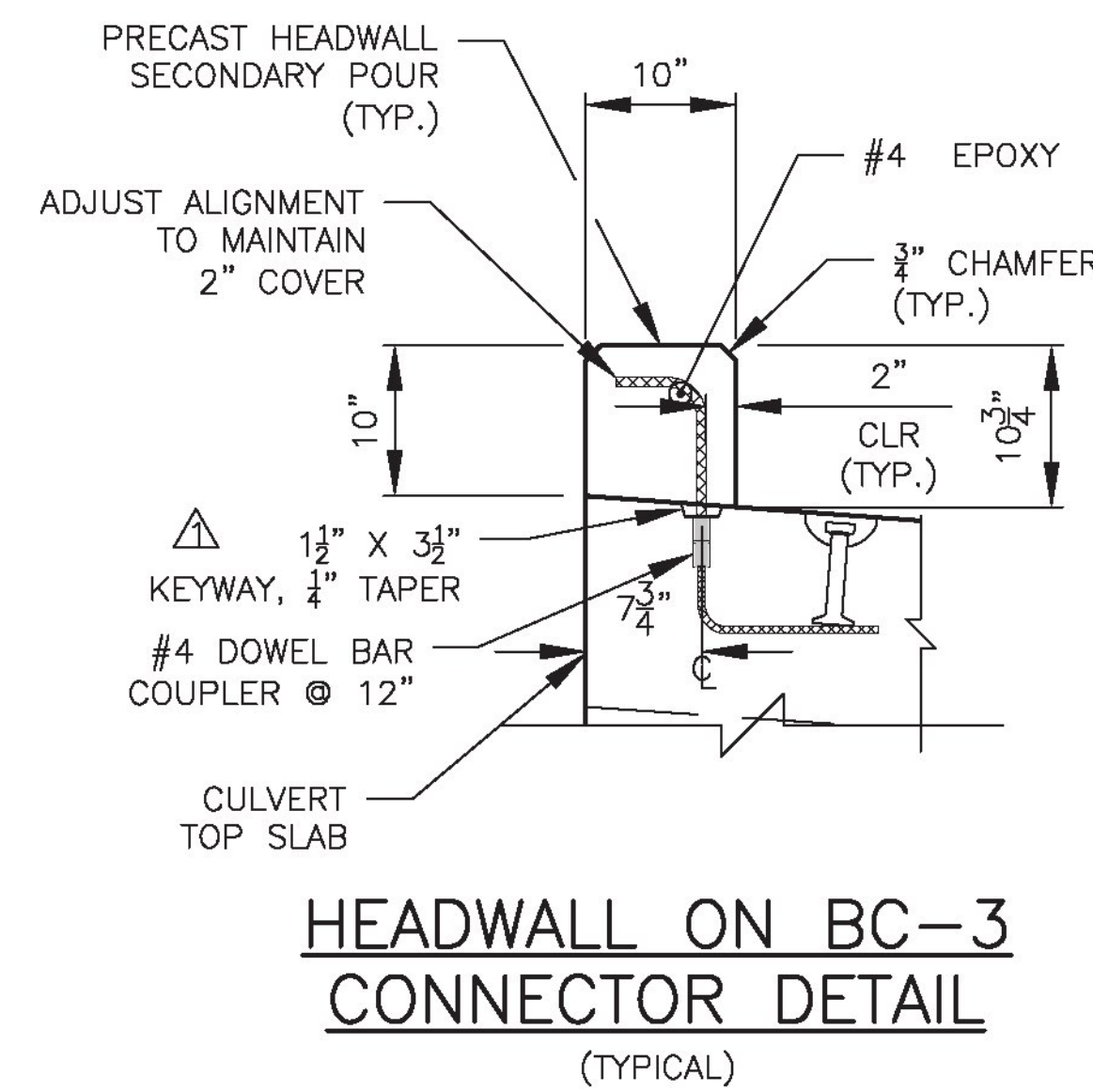


MID-WALL 10" x 16" x 3/4" FLAT ANCHOR PLATE DETAIL
(ELEVATION VIEW)

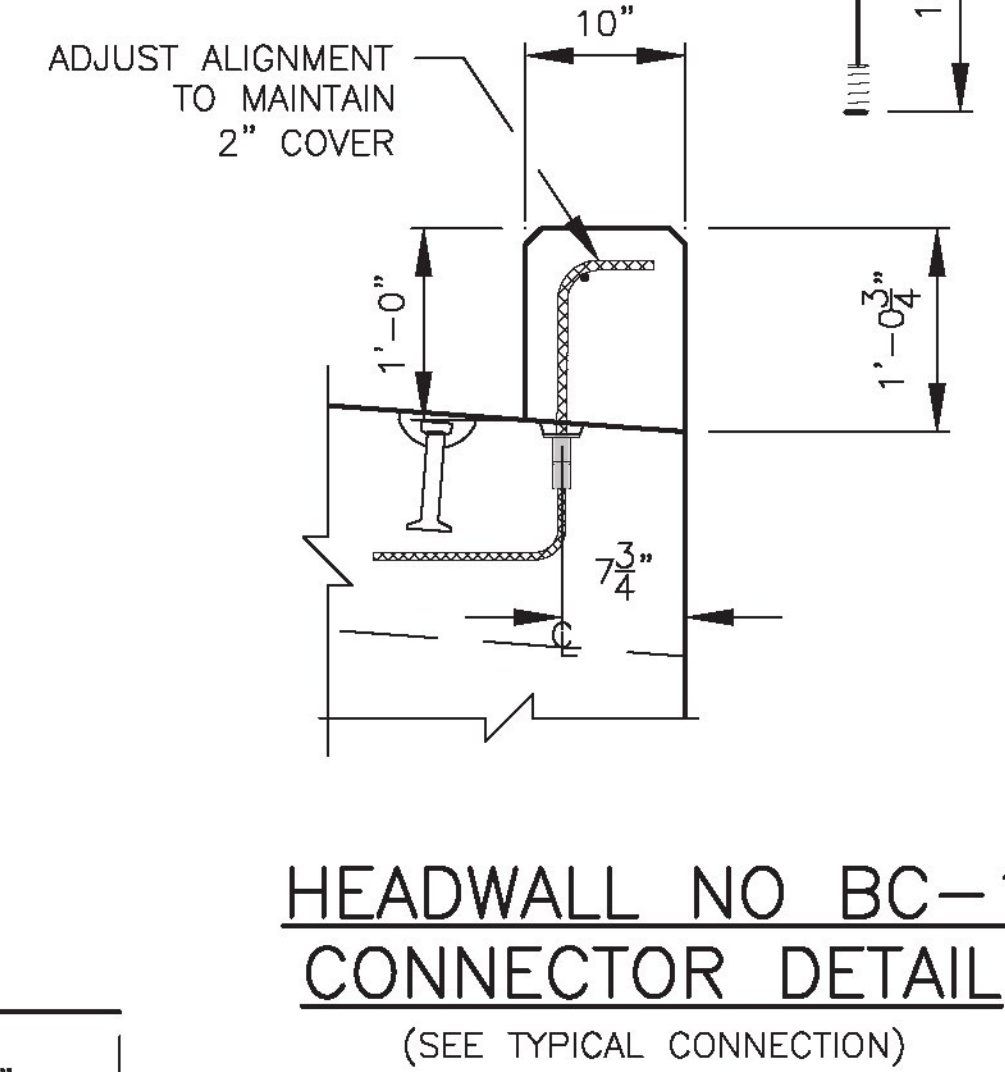
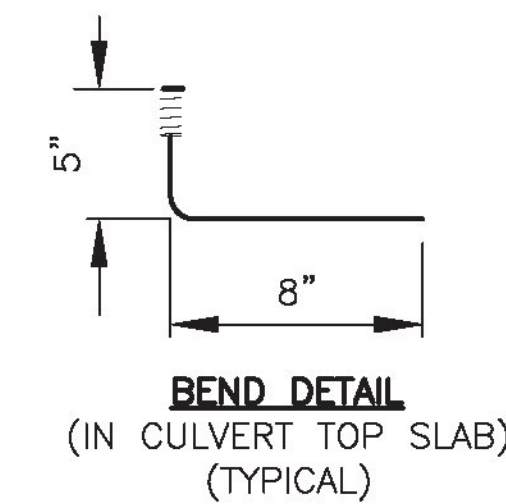
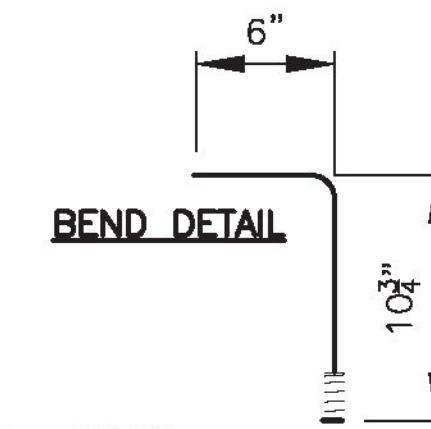


TYPICAL DRAW CONNECTOR DETAIL

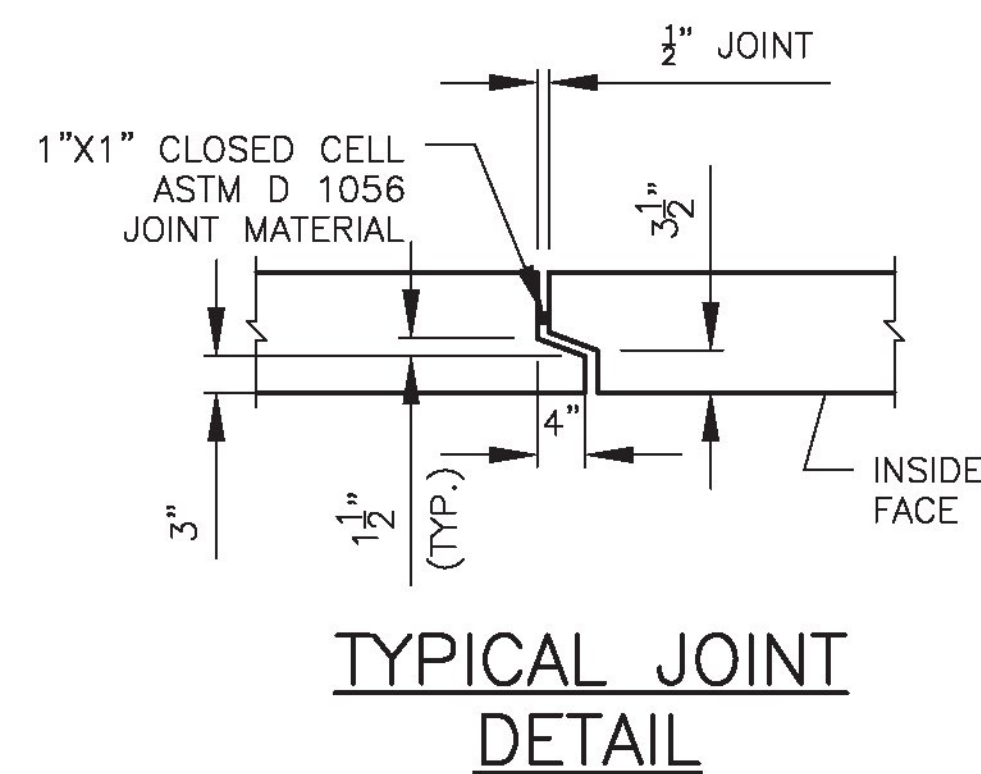
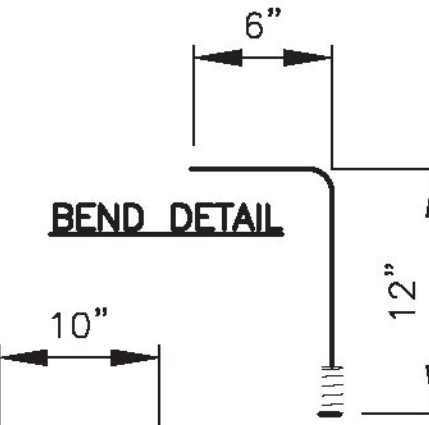
1. DRAW CONNECTOR HARDWARE TO BE HOT DIPPED GALVANIZED.
2. DRAW CONNECTOR TO REMAIN IN PLACE AFTER INSTALLATION.
3. DRAW CONNECTOR TO BE PULLED UNTIL THE JOINT MATERIAL IS COMPRESSED.



HEADWALL ON BC-3 CONNECTOR DETAIL
(TYPICAL)



HEADWALL NO BC-1 CONNECTOR DETAIL
(SEE TYPICAL CONNECTION)



TYPICAL JOINT DETAIL



5/8/18

PREPARED FOR:		CAMP PRECAST CONCRETE PRODUCTS	
		78 PRECAST RD MILTON, VT 05468 PHONE: (802)893-2401 FAX: (802)893-1542	
1		DATE: 3/29/18	SHEET TITLE: TYPICAL DETAILS
REV. NO.	DATE	REVISION	DRWN BY: BJC
			CKD BY: RJA
PREPARED BY:		PROJECT: WATERFORD, VT 16' x 8' BOX CULVERT BF 0225(5) VT RT. 18 BRIDGE #2	
		CONTRACTOR: ...	
860 HOOPER ROAD, ENDWELL, NY 13760 TEL: (607) 231-6600 FAX: (607) 231-6650		DWG. I.D. PD-01	
DELTA PROJ. NO.: 2018.477.003		SHT. NO. 12 OF 13	