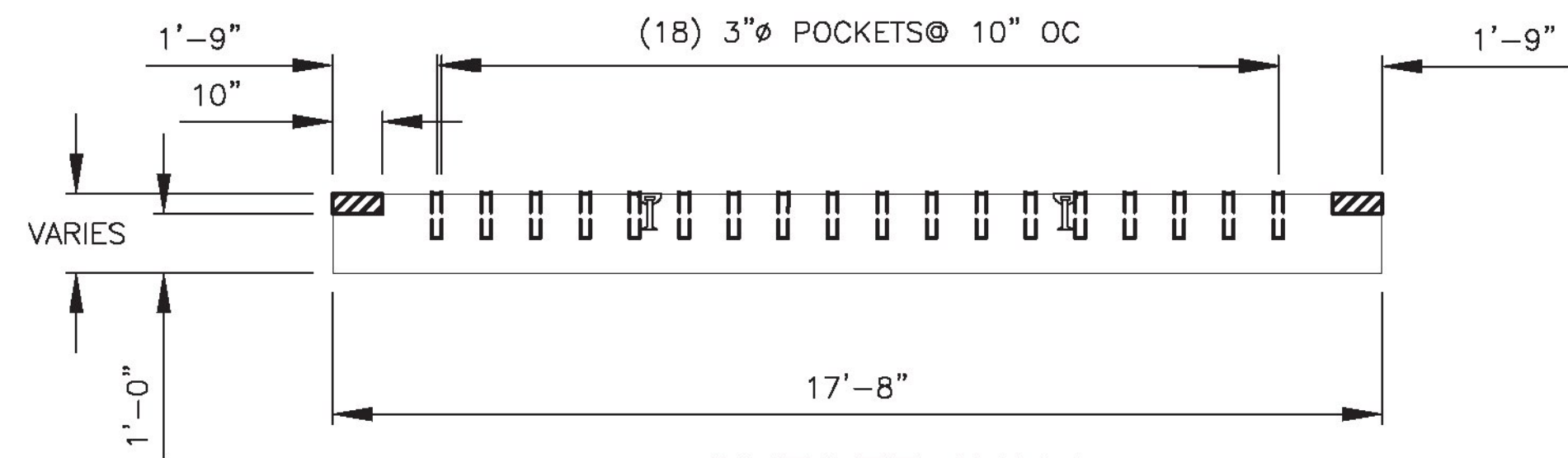
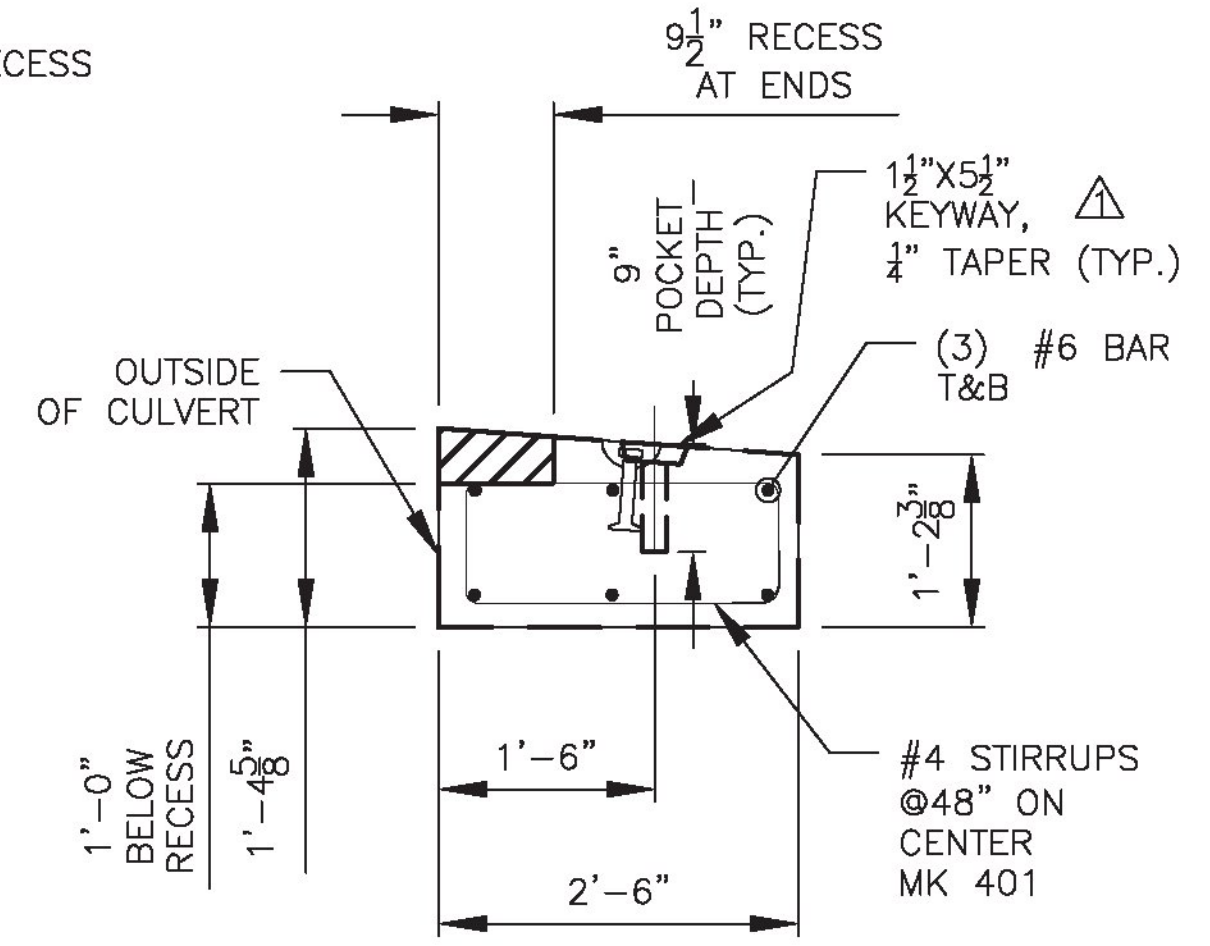


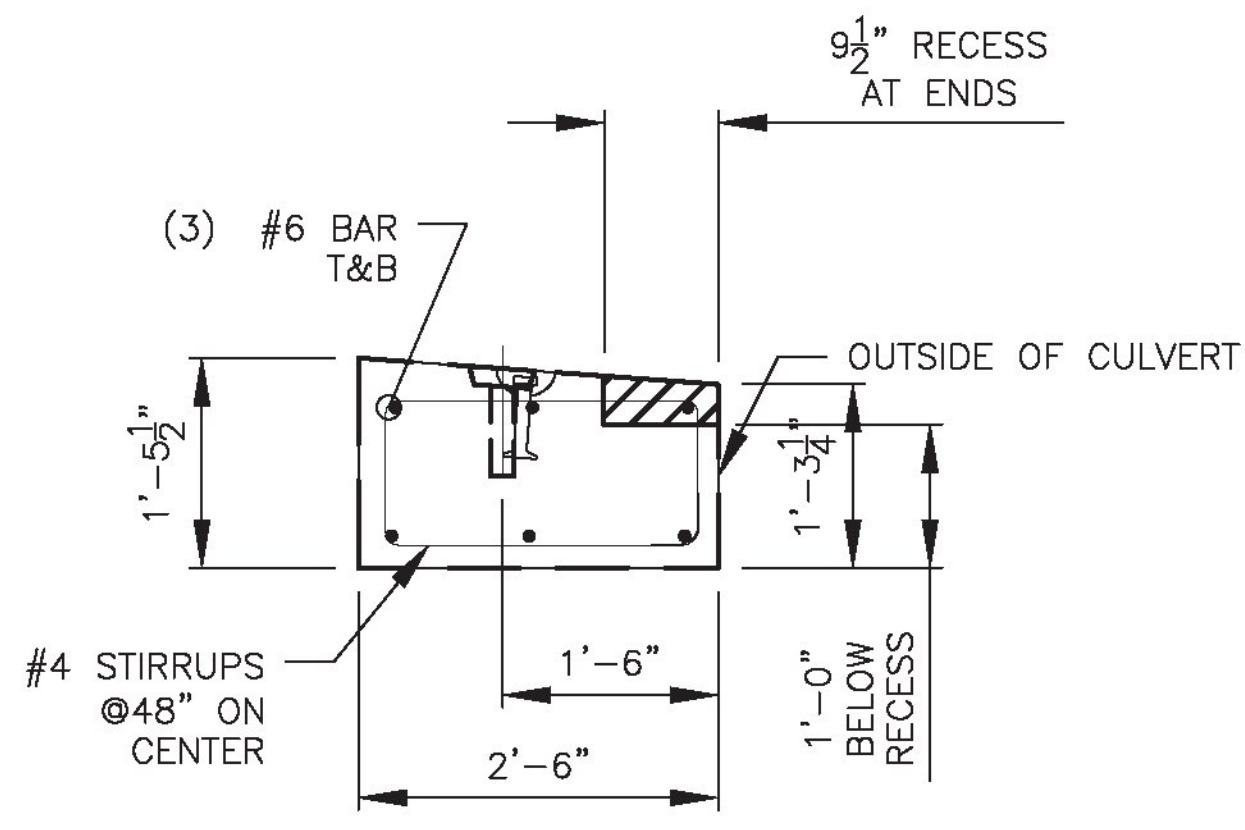
**CUTOFF WALL  
CW 5 & 6 PLAN**  
(18) 3" Ø POCKETS @ 10" OC



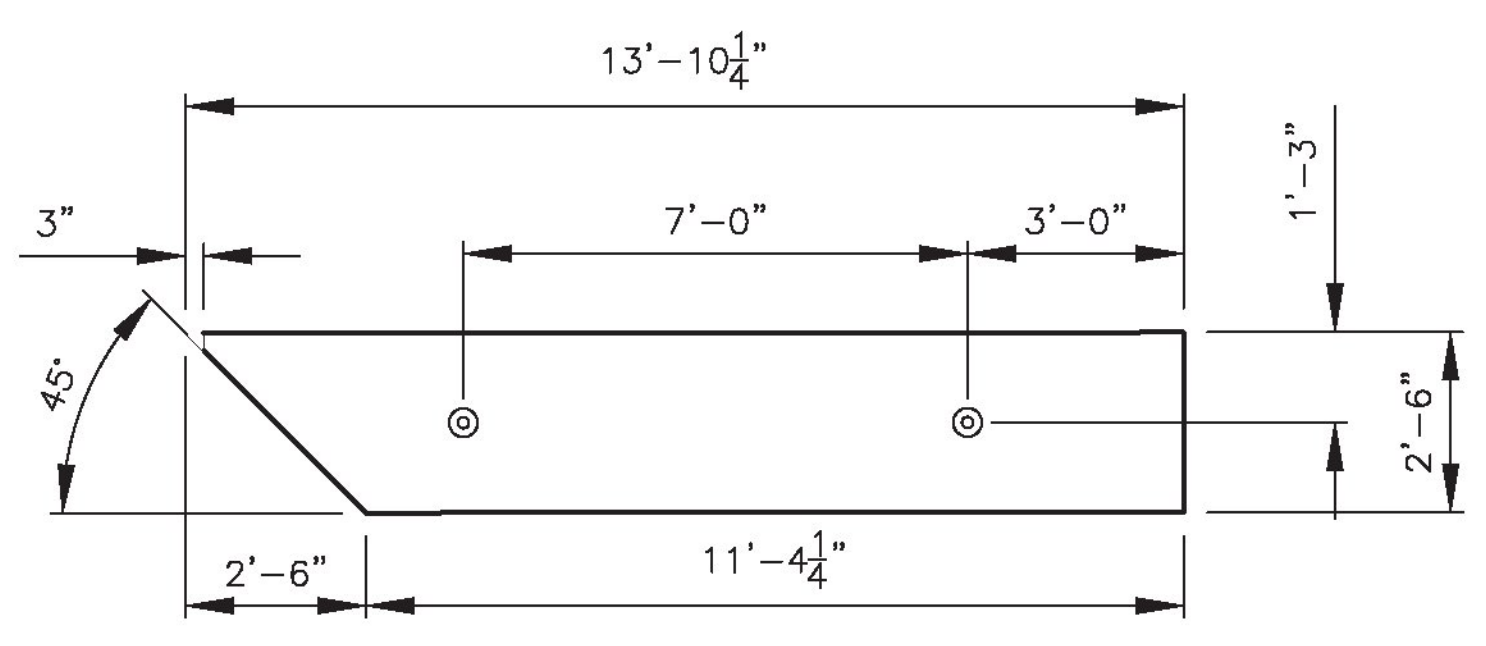
**CUTOFF WALL  
CW5 & CW6 ELEVATION**



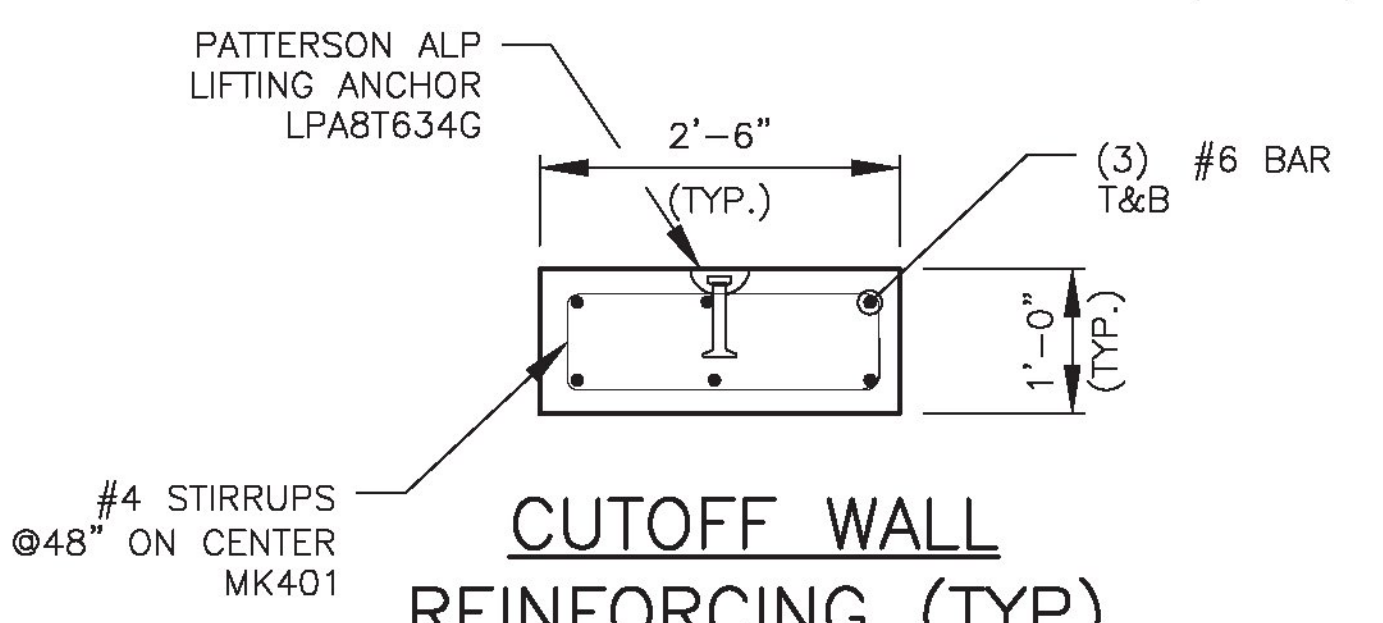
**CUTOFF WALL  
CW6 SECTION**  
(2" CLR.)



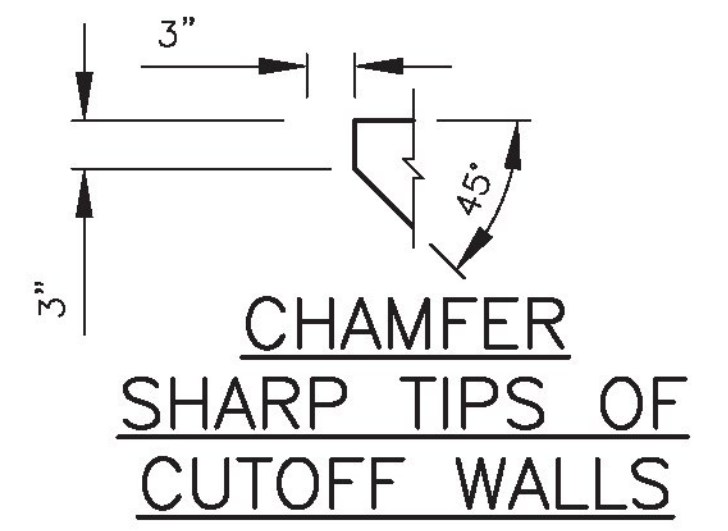
**CUTOFF WALL  
CW5 SECTION**  
(2" CLR.)



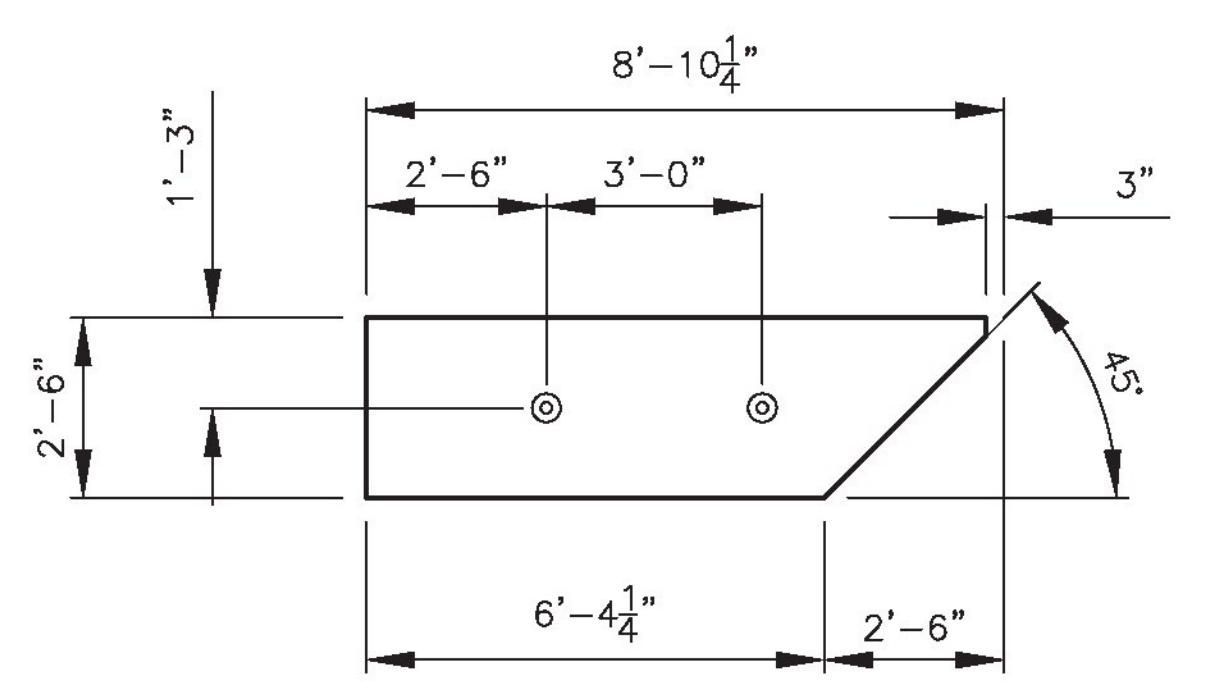
**CUTOFF WALL PLAN  
FOR CW4**



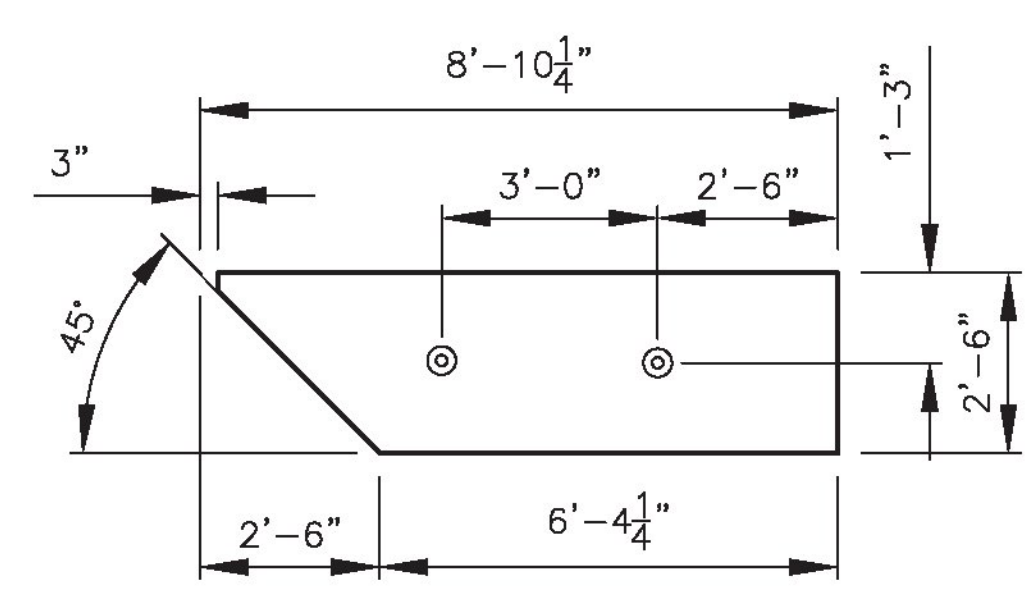
**CUTOFF WALL  
REINFORCING (TYP)  
AT WINGWALLS**  
(2" CLR.)



**CHAMFER  
SHARP TIPS OF  
CUTOFF WALLS**



**CUTOFF WALL  
CW1  
& CW3**



**CUTOFF WALL  
CW2**

'A'  
4" HOOKS  
'B'  
TYPE T2  
MK 401E

1 EACH CW1, CW2 & CW3

**BAR SCHEDULE FOR CW1, CW2 & CW3**

BAR MARK	BAR SIZE	QTY.	BAR TYPE	LENGTH	"A"	"B"
MK401E	#4	3	T2	6'-5"	2'-2"	8"
MK601E	#6	2	STR	5'-10"	-	-
MK602E	#6	2	STR	7'-10"	-	-
MK603E	#6	2	STR	8'-3"	-	-

ALL EPOXY BAR

1 EACH

**BAR SCHEDULE FOR CW4**

BAR MARK	BAR SIZE	QTY.	BAR TYPE	LENGTH	"A"	"B"
MK401E	#4	5	T2	6'-5"	2'-2"	8"
MK601E	#6	2	STR	11'-0"	-	-
MK602E	#6	2	STR	12'-1"	-	-
MK603E	#6	2	STR	13'-3"	-	-

ALL EPOXY BAR

1 EACH

**BAR SCHEDULE FOR CW5**

BAR MARK	BAR SIZE	QTY.	BAR TYPE	LENGTH	"A"	"B"
MK401E	#4	6	T2	7'-1"	2'-2"	11 3/4"
MK601E	#6	6	STR	17'-4"	-	-

ALL EPOXY BAR

1 EACH

**BAR SCHEDULE FOR CW6**

BAR MARK	BAR SIZE	QTY.	BAR TYPE	LENGTH	"A"	"B"
MK401E	#4	6	T2	6'-10"	2'-2"	10 1/2"
MK601E	#6	6	STR	17'-4"	-	-

ALL EPOXY BAR



5/8/18

 860 HOOPER ROAD, ENDWELL, NY 13760 TEL: (607) 231-6600 FAX: (607) 231-6650		PREPARED FOR: <b>CAMP PRECAST CONCRETE PRODUCTS</b> 78 PRECAST RD MILTON, VT 05468 PHONE: (802)893-2401 FAX: (802)893-1542
PREPARED BY: <b>DELTA</b>	DATE: 3/29/18 SCALE: N.T.S.	SHEET TITLE: <b>CUTOFF WALL DETAILS</b>
PROJECT: WATERFORD, VT 16' x 8' BOX CULVERT BF 0225(5) VT RT. 18 BRIDGE #2	DRWN BY: BJC CKD BY: RJA	DWG. I.D. PD-01 SHT. NO. 11 OF 13