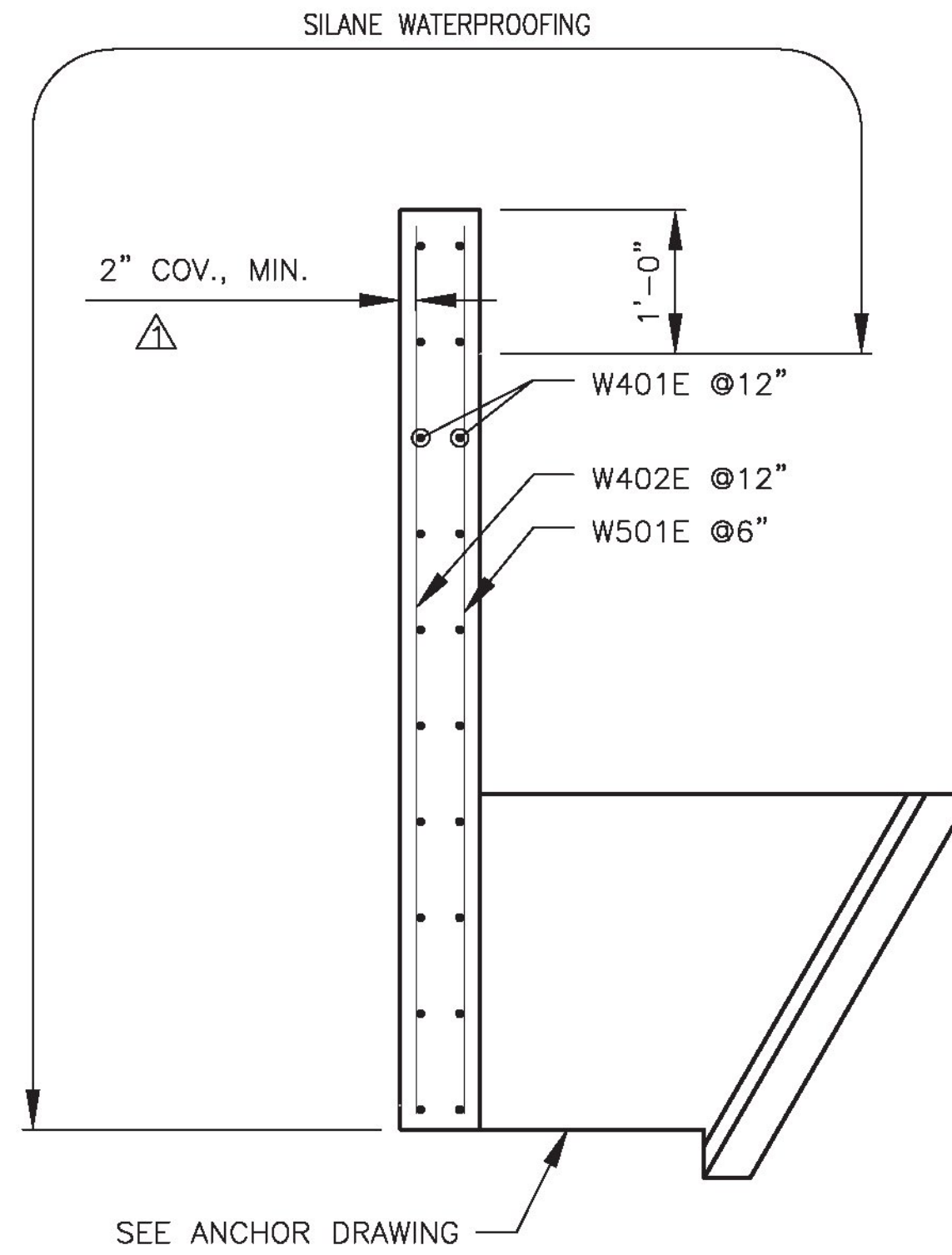
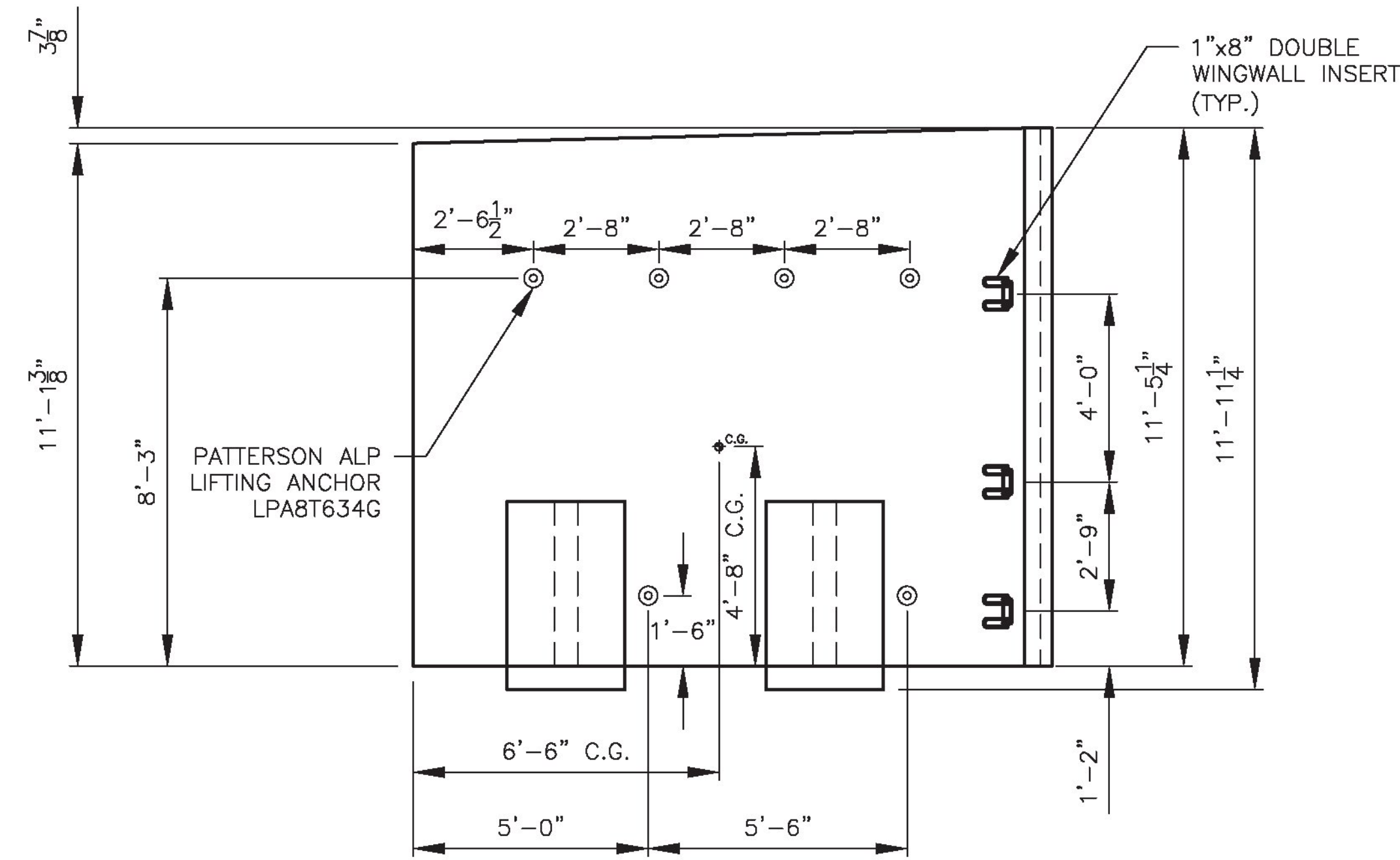
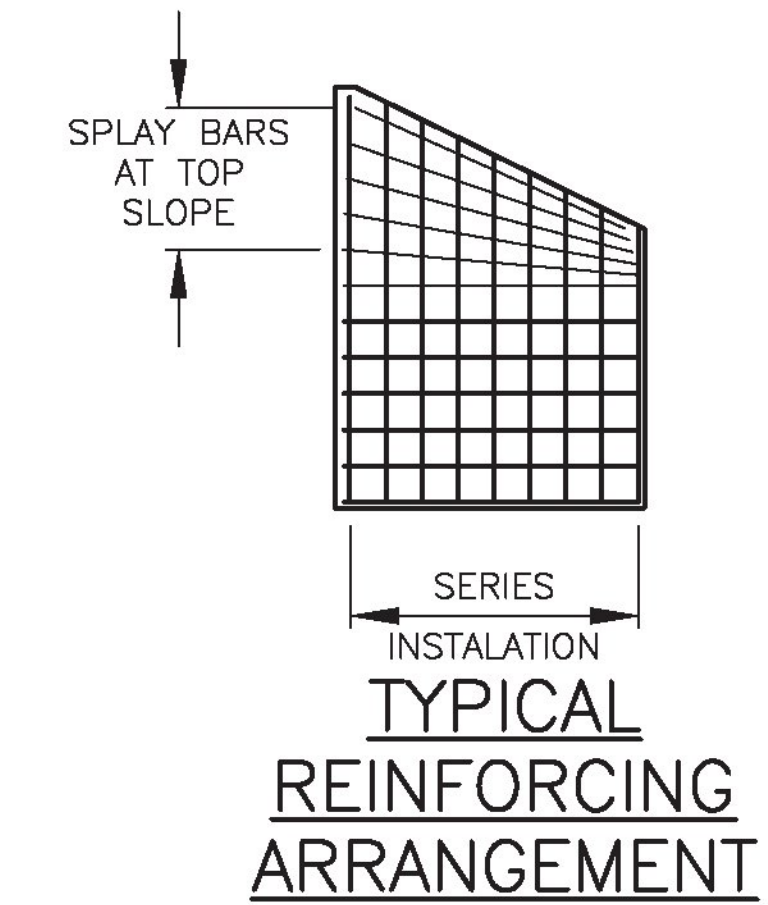


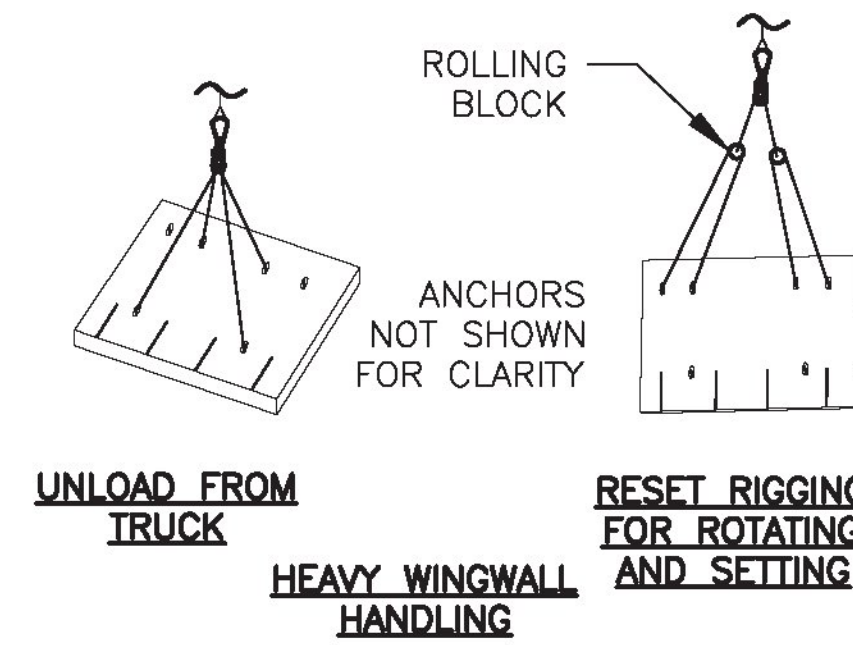
WINGWALL WW4



WINGWALL SECTION



WINGWALL WW4 ELEVATION  
SHOWING BACK FACE OF WALL



WINGWALL WW4							
PART	MARK	QTY	SIZE	SPC	NOTE	LEN	TYPE
WW (H)	W401E	24	#4	12"	-	152"	STR
WW (V)	W402E	13	#4	12"	SERIES	133" TO 102"	STR
WW (V)	W501E	26	#5	6"	SERIES	133" TO 129"	STR

NOTE: ALL BAR COVER 2" UNLESS NOTED OTHERWISE. QUANTITIES ARE FOR ONE WINGWALL.



5/8/18

PREPARED BY: SPECIALTY PRECAST CONCRETE ENGINEERS 860 HOOPER ROAD, ENDWELL, NY 13760 TEL: (607) 231-6600 FAX: (607) 231-6650		PREPARED FOR: <b>CAMP PRECAST CONCRETE PRODUCTS</b> 78 PRECAST RD MILTON, VT 05468 PHONE: (802)893-2401 FAX: (802)893-1542	
REV. NO.    DATE    REVISION	DATE: 3/29/18 SCALE: N.T.S.	SHEET TITLE: <b>WINGWALL WW4 DETAILS</b>	DRWN BY: BJC CKD BY: RJA
PROJECT: <b>WATERFORD, VT          16' x 8' BOX CULVERT          VT RT. 18 BRIDGE #2</b>		CONTRACTOR:	DWG. I.D. PD-01 DELTA PROJ. NO.: 2018.477.003    SHT. NO. 9 OF 13