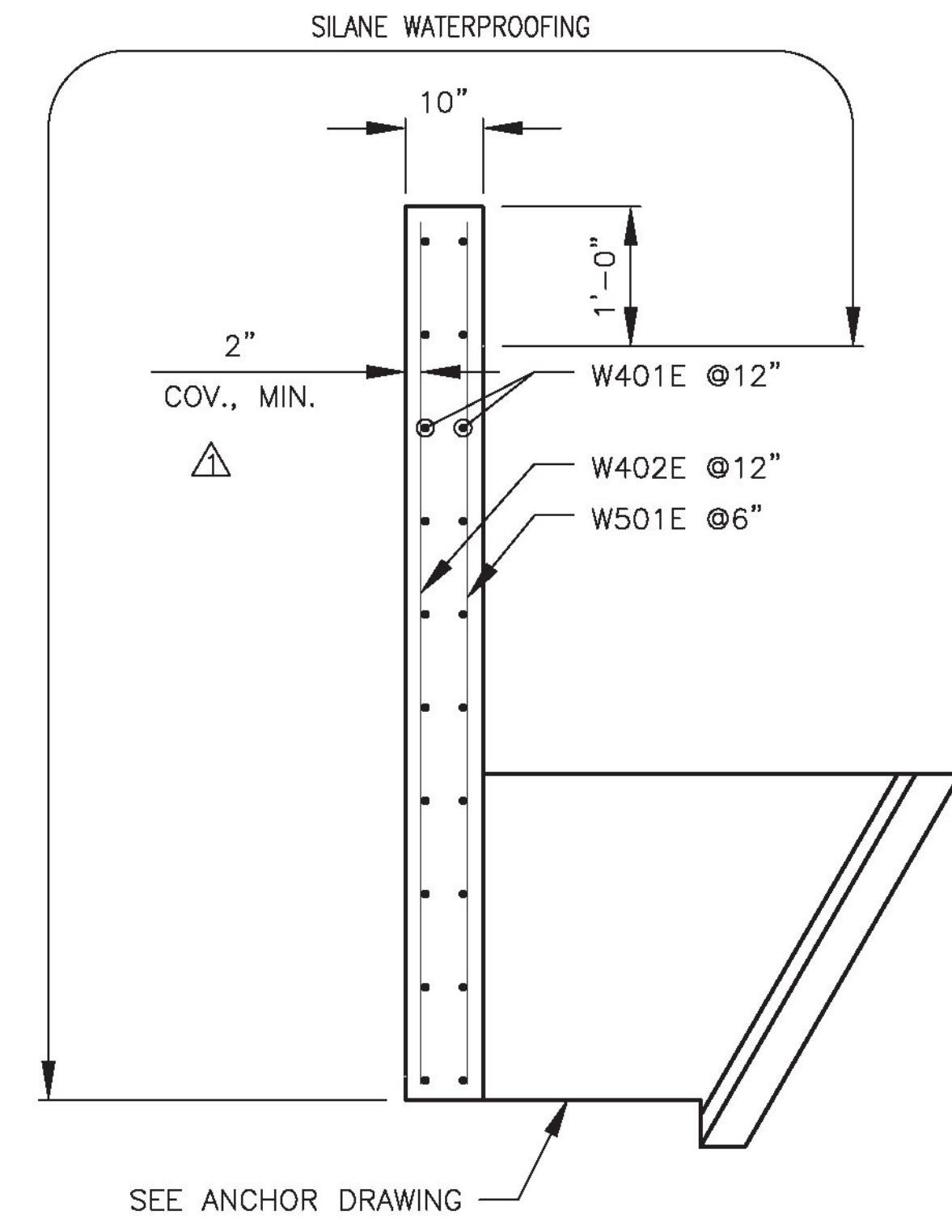
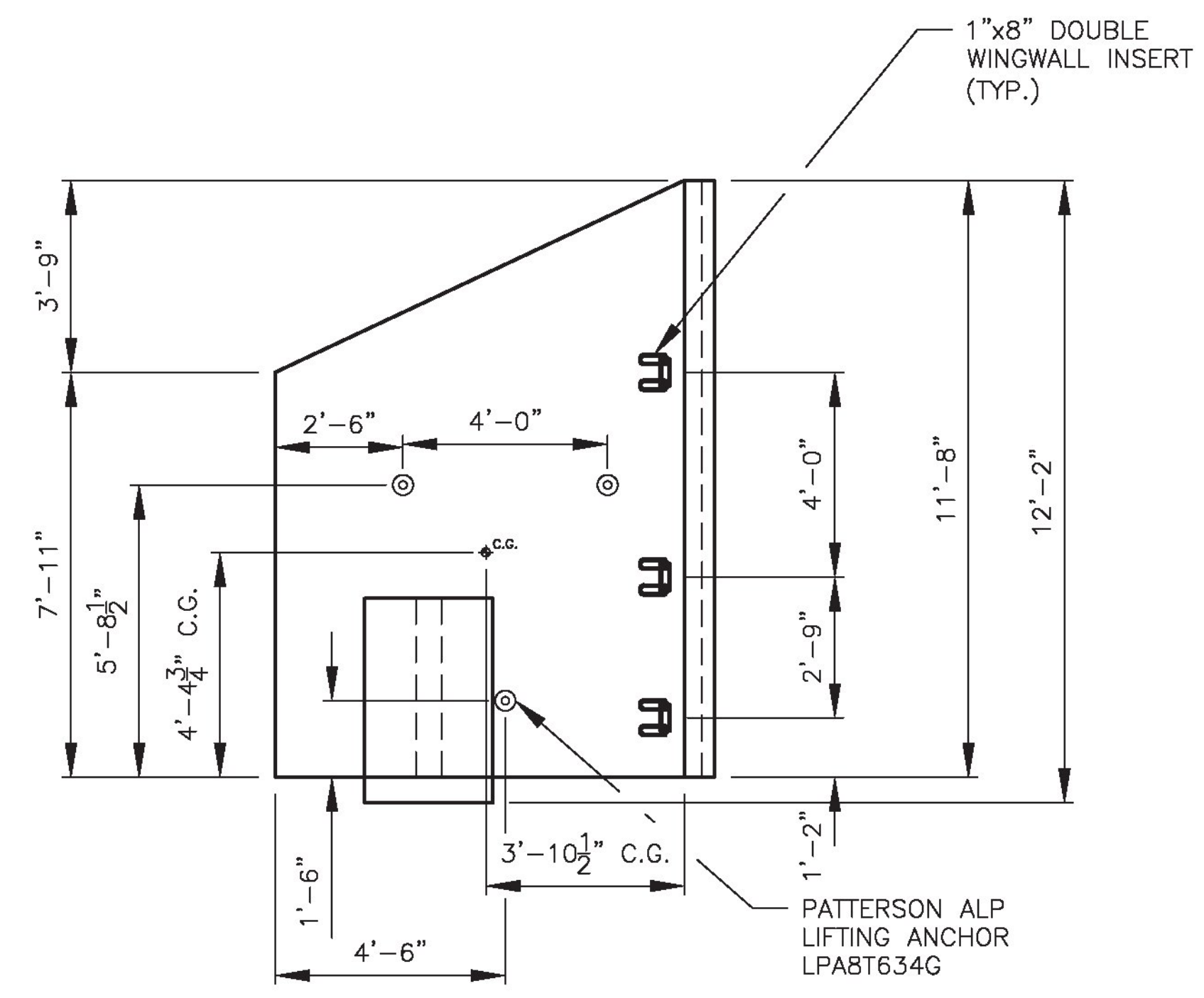
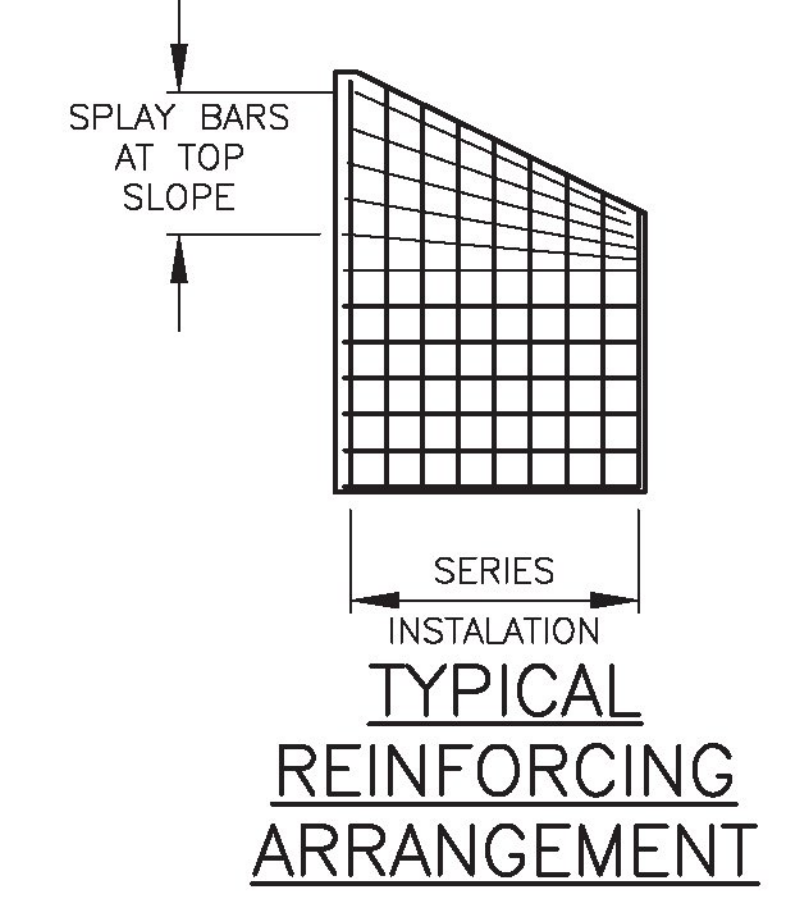


WINGWALL WW2



WINGWALL SECTION



WINGWALL WW2
ELEVATION
SHOWING BACK FACE OF WALL

WINGWALL WW2							
PART	MARK	QTY	SIZE	SPC	NOTE	LEN	TYPE
WW (H)	W401E	24	#4	12"	-	94"	STR
WW (V)	W402E	9	#4	12"	SERIES	136" TO 92"	STR
WW (V)	W501E	18	#5	6"	SERIES	136" TO 92"	STR

NOTE: ALL BAR COVER 2" UNLESS NOTED OTHERWISE. QUANTITIES ARE FOR ONE WINGWALL.



5/8/18

PREPARED BY: DELTA SPECIALTY PRECAST CONCRETE ENGINEERS 860 HOOPER ROAD, ENDWELL, NY 13760 TEL: (607) 231-6600 FAX: (607) 231-6650		PREPARED FOR: CAMP PRECAST CONCRETE PRODUCTS 78 PRECAST RD MILTON, VT 05468 PHONE: (802)893-2401 FAX: (802)893-1542 	
DATE: 3/29/18 SCALE: N.T.S.	SHEET TITLE: WINGWALL WW2 DETAILS	DRWN BY: BJC CKD BY: RJA	PROJECT: WATERFORD, VT 16' x 8' BOX CULVERT BF 0225(5) VT RT. 18 BRIDGE #2
CONTRACTOR: DELTA PROJ. NO.: 2018.477.003	DWG. I.D.: PD-01	SHT. NO.: 7 OF 13	