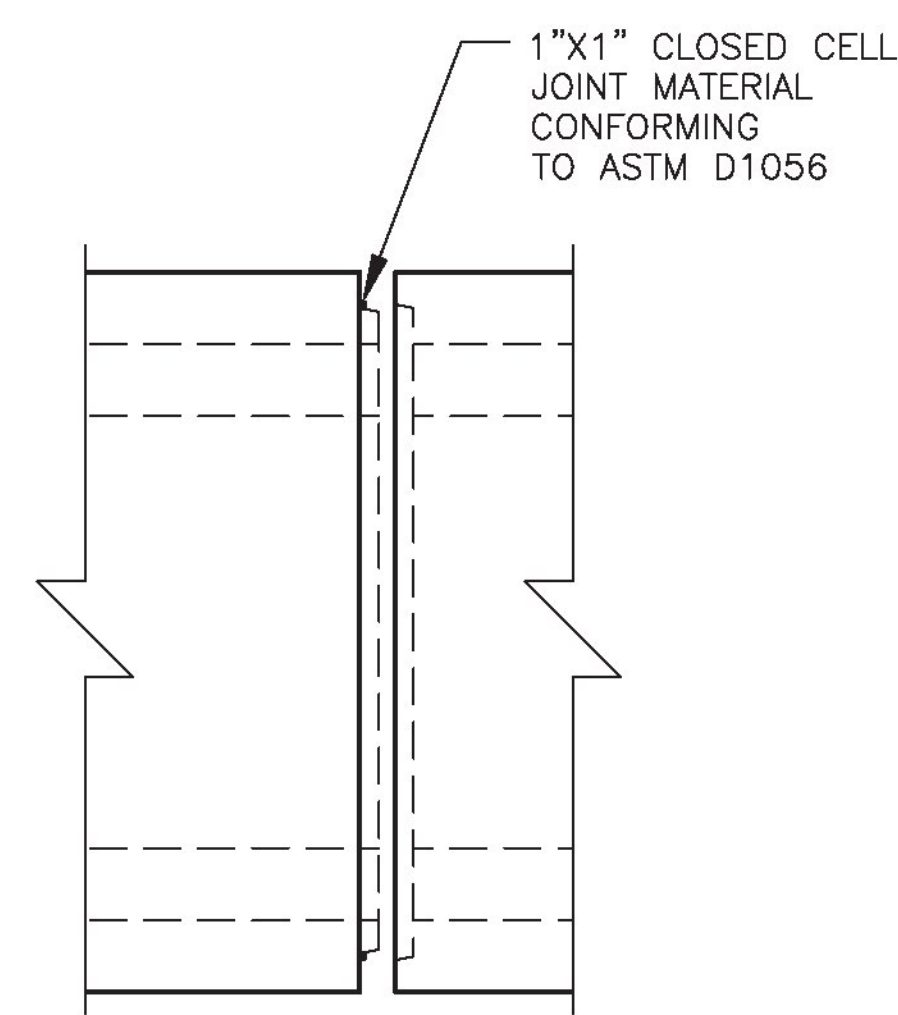


SECTION



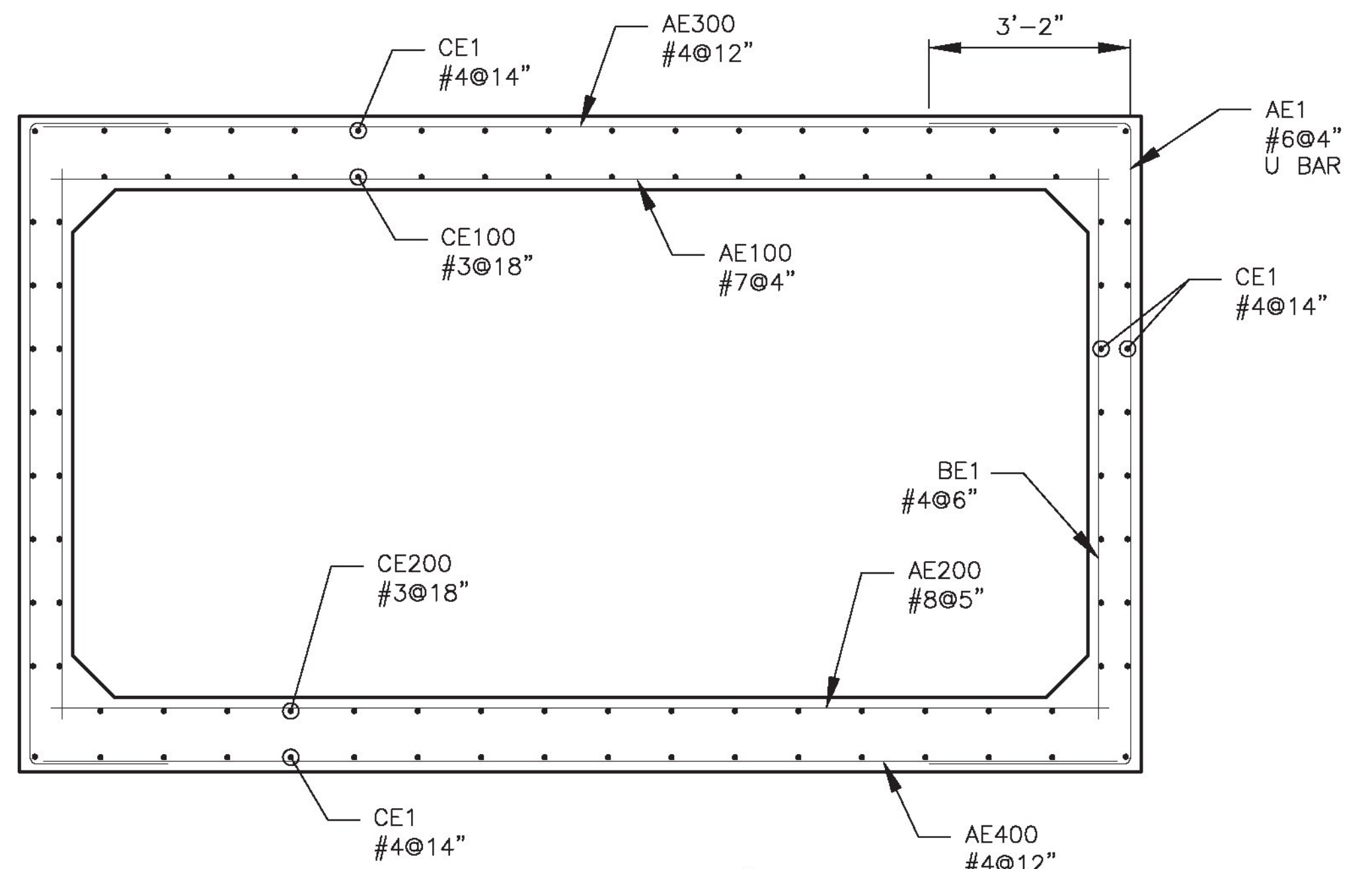
JOINT DETAILS
(ELEVATION VIEW)
(SEE SHEET 12)

17 EACH

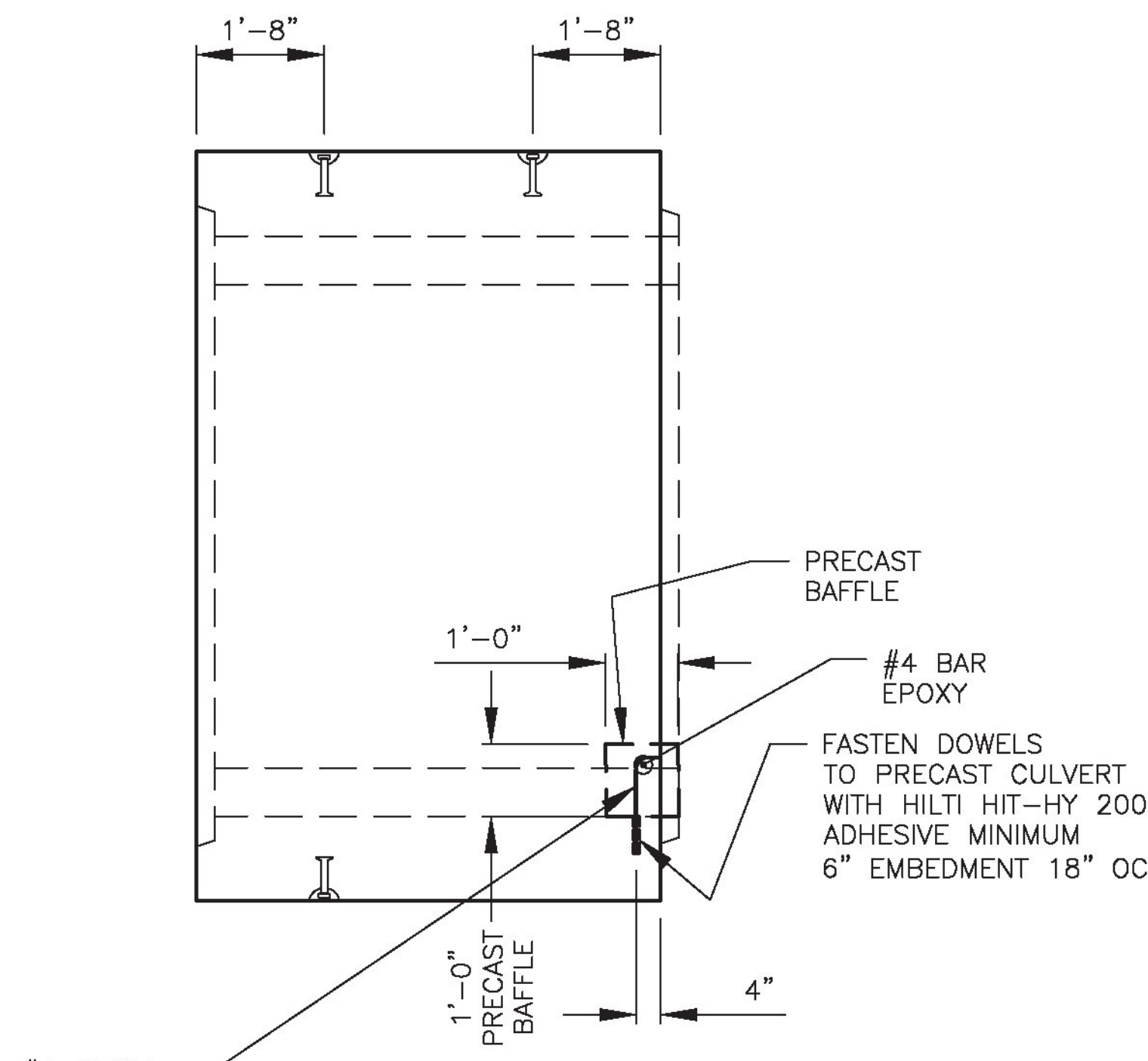
BC-2 BAR SCHEDULE

MARK	QTY.	BAR SIZE	MAX. SPACING	LENGTH	TYPE	B	C
AE100	20	#7	4"	17'-3"	STR	-	-
AE200	16	#8	5"	17'-3"	STR	-	-
AE300	8	#4	12"	17'-3"	STR	-	-
AE400	8	#4	12"	17'-3"	STR	-	-
AE1	40	#6	4"	16'-4"	"U"	3'-2"	10'-0"
BE1	28	#4	6"	8'-6"	STR	-	-
CE100	11	#3	18"	6'-0 3/4"	STR	-	-
CE200	11	#3	18"	6'-0 3/4"	STR	-	-
CE1	62	#4	14"	6'-0 3/4"	STR	-	-

ALL EPOXY BAR



REINFORCING SECTION
(2" CLEAR, MIN) Δ
(ALL EPOXY BAR)



BAFFLE LOCATION
(2" CLEAR)
(ALL EPOXY BAR)



5/8/18

PREPARED FOR: CAMP PRECAST CONCRETE PRODUCTS 78 PRECAST RD MILTON, VT 05468 PHONE: (802)893-2401 FAX: (802)893-1542		
DATE: 3/29/18 SCALE: N.T.S.	SHEET TITLE: BC-2 REINFORCING AND DETAILS	DRWN BY: BJC CKD BY: RJA
PROJECT: WATERFORD, VT 16' x 8' BOX CULVERT BF 0225(5) VT RT. 18 BRIDGE #2		
PREPARED BY: DELTA SPECIALTY PRECAST CONCRETE ENGINEERS 860 HOOPER ROAD, ENDWELL, NY 13760 TEL: (607) 231-6600 FAX: (607) 231-6650		CONTRACTOR: DELTA PROJ. NO.: 2018.477.003
REV. NO. DATE REVISION		DWG. I.D. PD-01 SHT. NO. 4 OF 13