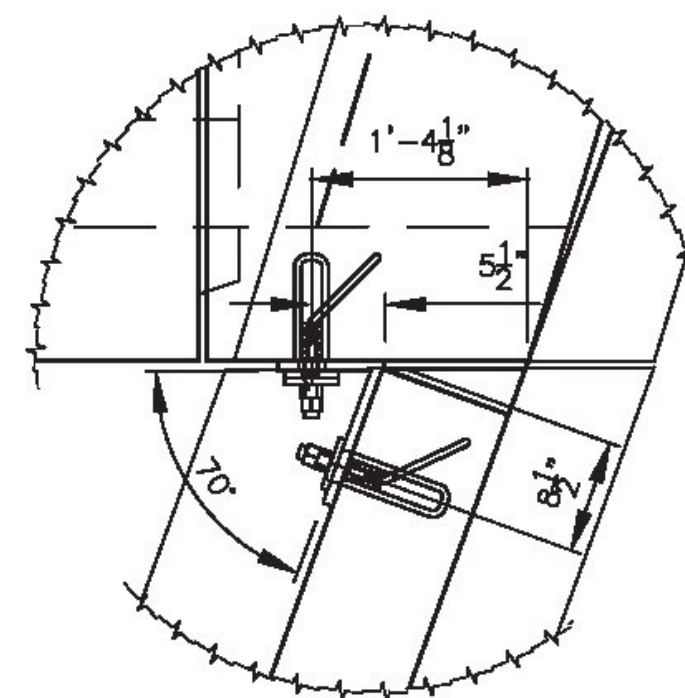
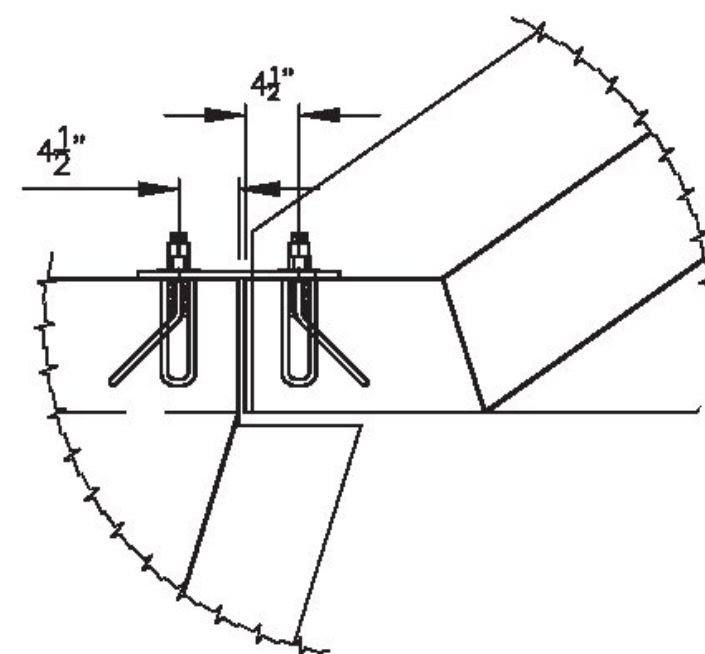


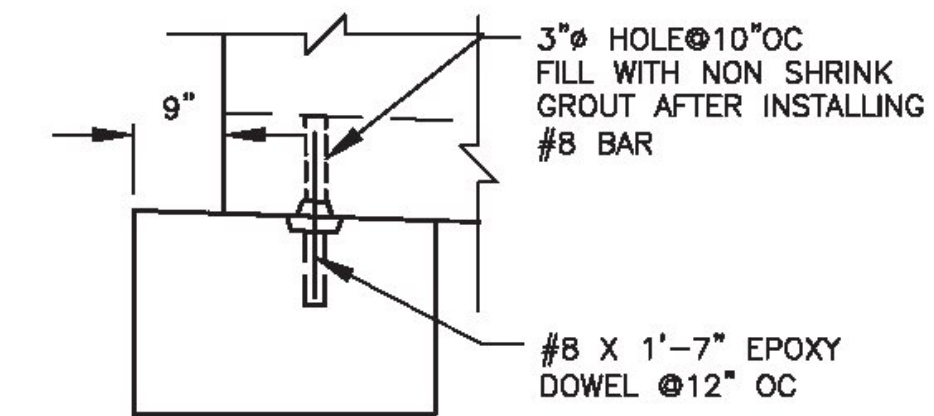
TYPICAL WINGWALL CONNECTION DETAIL
(WW3 & WW4)



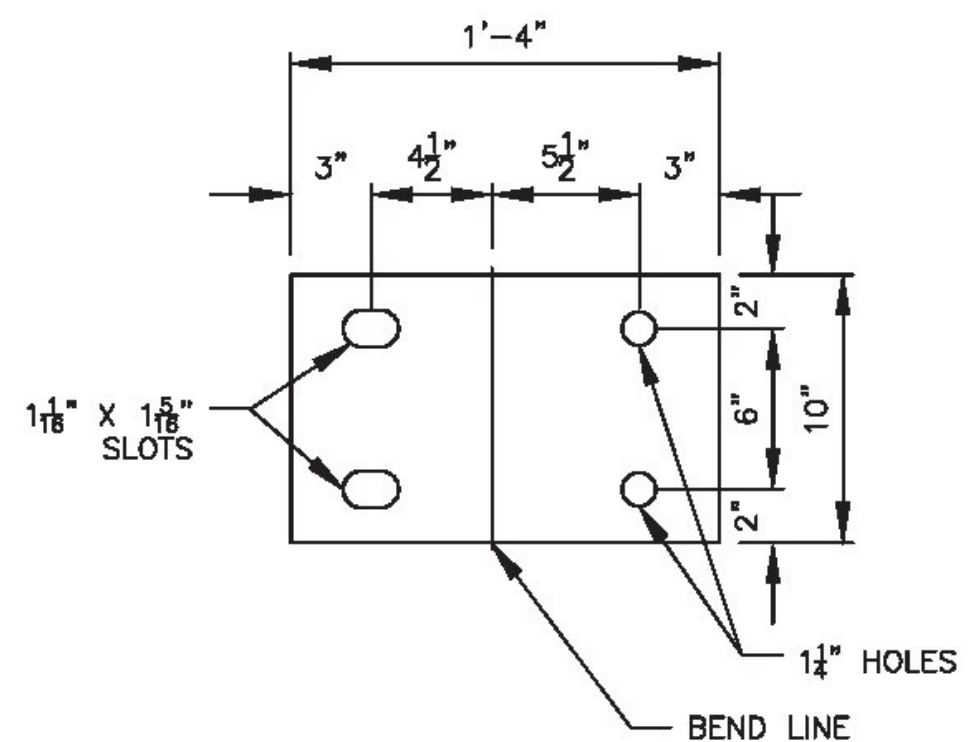
WINGWALL 1 CONNECTION DETAIL



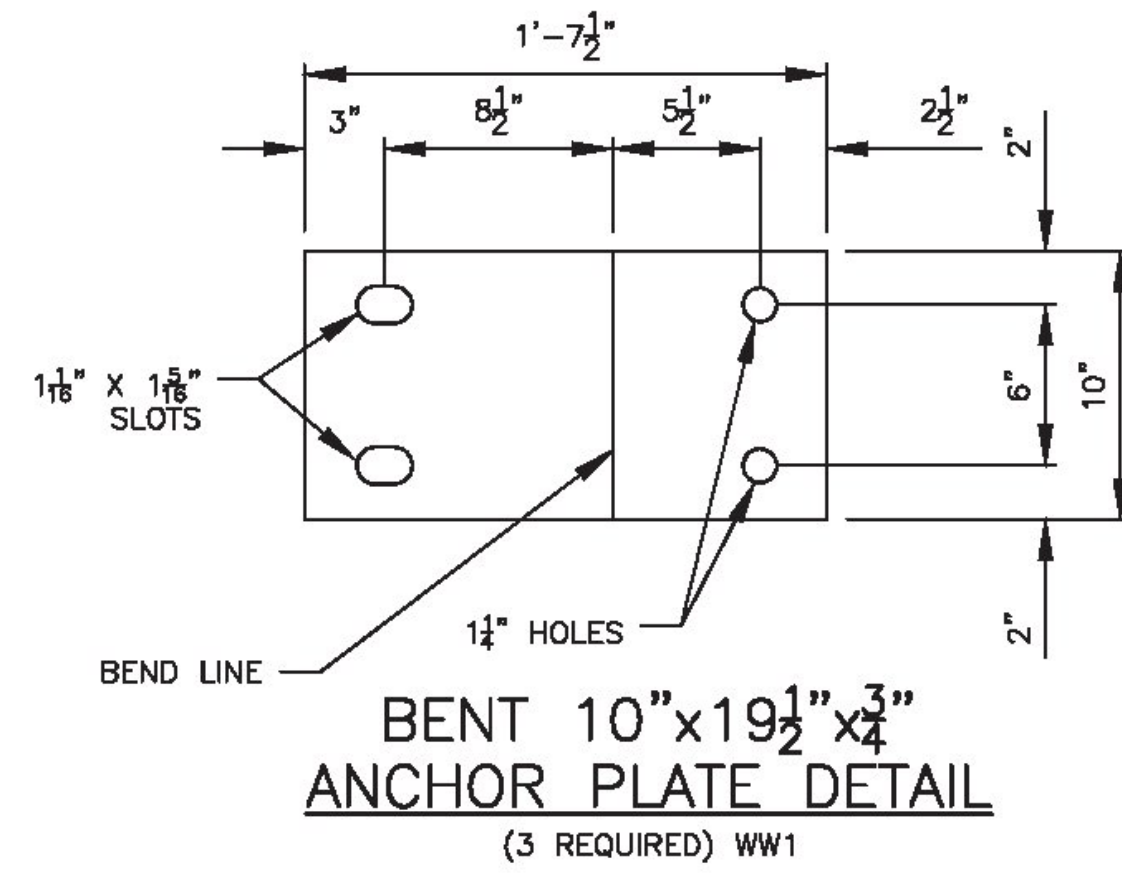
WINGWALL 2 CONNECTION DETAIL



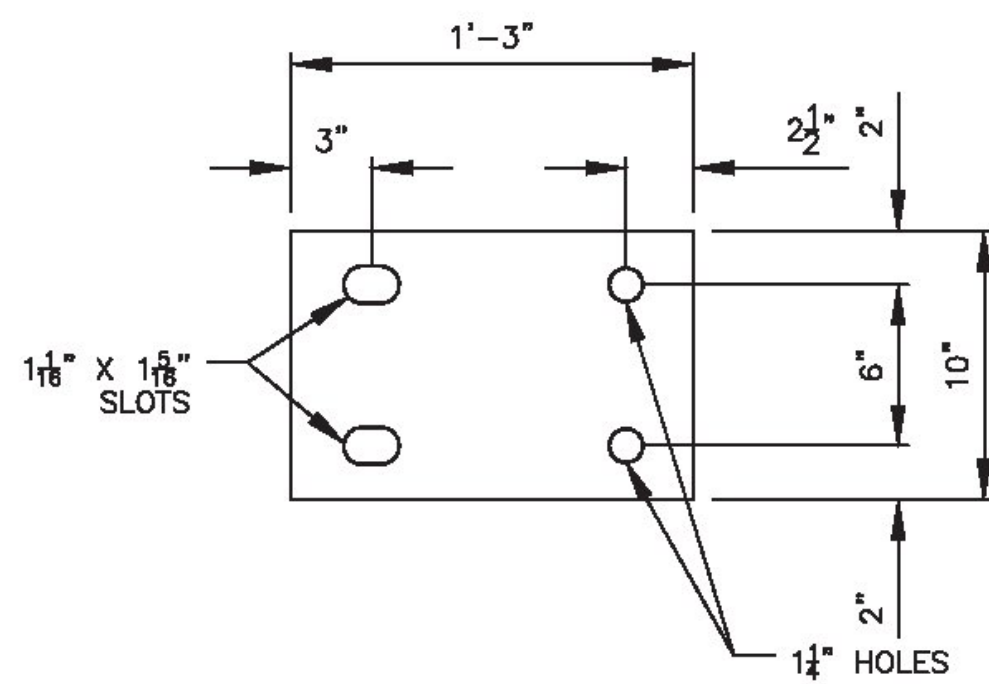
CUTOFF WALL PINNING



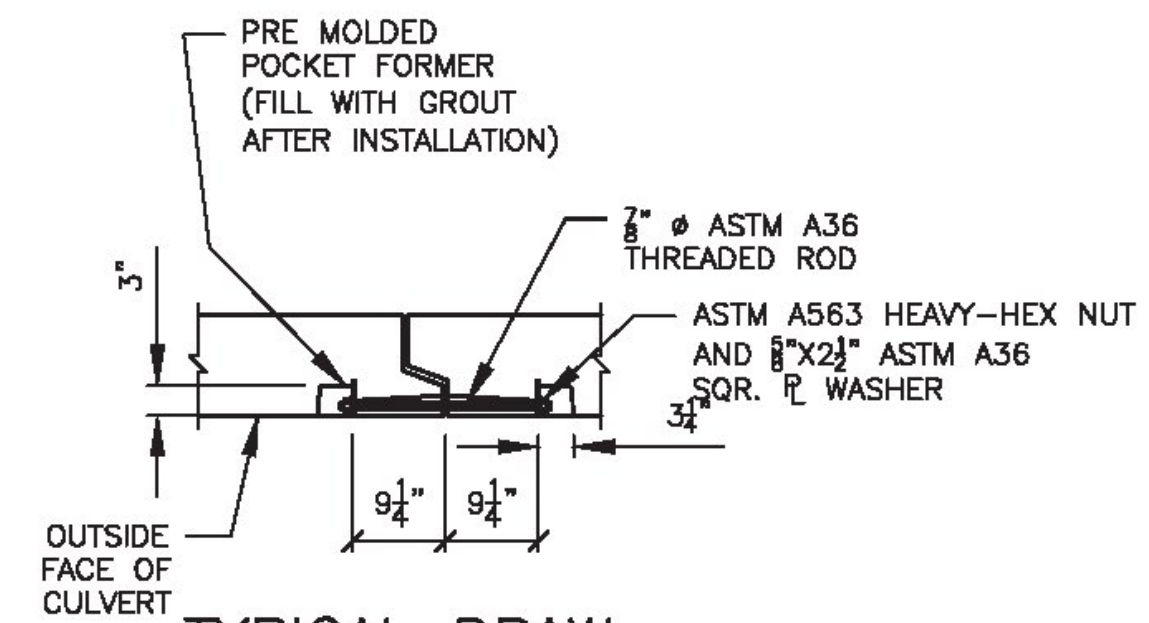
BENT 10"x16"x3/4" ANCHOR PLATE DETAIL
(4 REQUIRED WW3 & WW4)



BENT 10"x19 1/2"x3/4" ANCHOR PLATE DETAIL
(3 REQUIRED) WW1

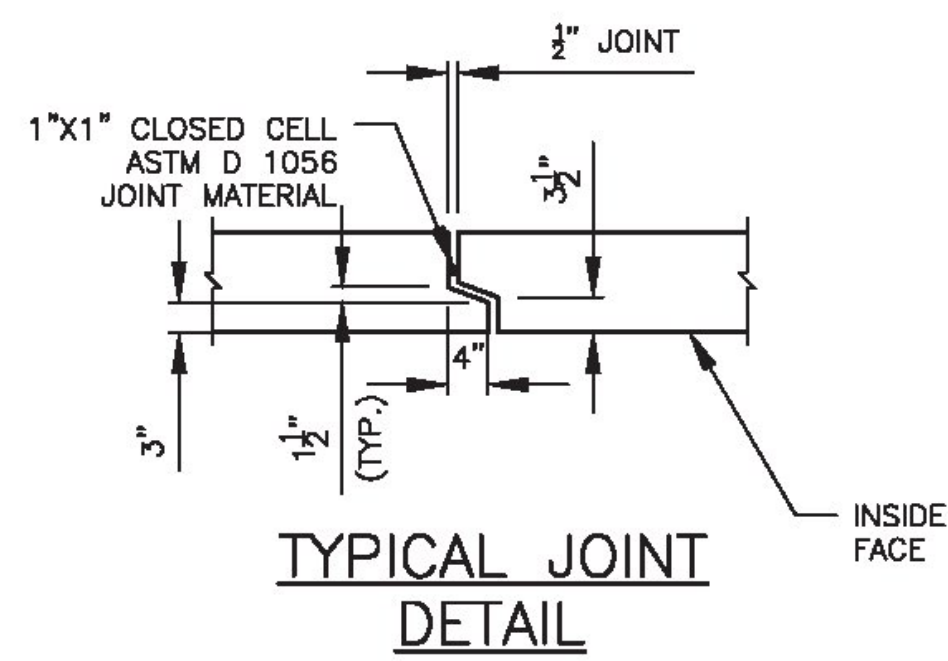


FLAT 10"x15"x3/4" ANCHOR PLATE DETAIL
(2 REQUIRED) WW2

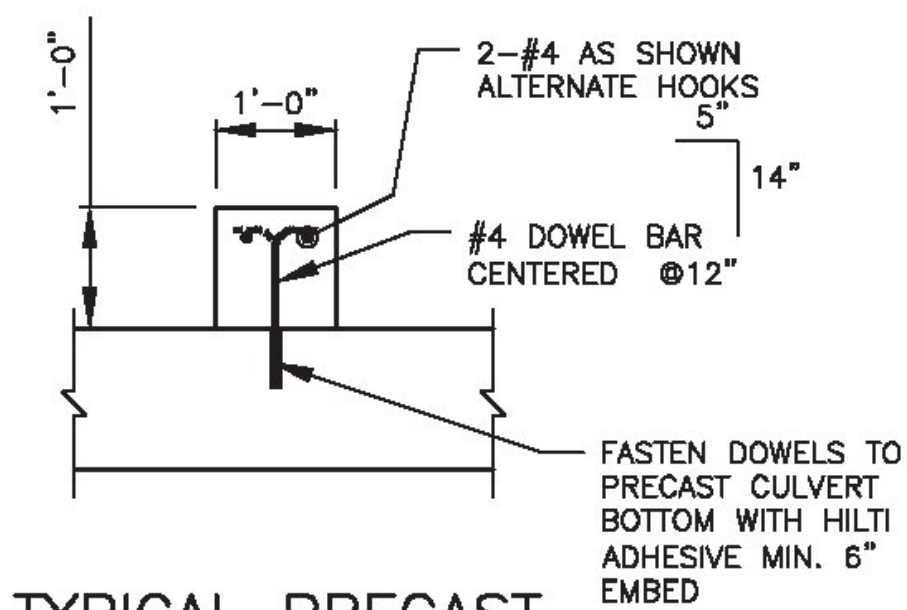


TYPICAL DRAW CONNECTOR DETAIL

1. DRAW CONNECTOR HARDWARE TO BE HOT DIPPED GALVANIZED.
2. DRAW CONNECTOR TO REMAIN IN PLACE AFTER INSTALLATION.
3. DRAW CONNECTOR TO BE PULLED UNTIL THE JOINT MATERIAL IS COMPRESSED.



TYPICAL JOINT DETAIL



TYPICAL PRECAST BAFFLE SECTION
(SECONDARY POUR)



5/17/18

PREPARED FOR:			CAMP PRECAST CONCRETE PRODUCTS		
			78 PRECAST RD MILTON, VT 05468 PHONE: (802)893-2401 FAX: (802)893-1542		
REV. NO. DATE REVISION					
PREPARED BY:			DATE: 4/20/18	SHEET TITLE:	DRAWN BY:
			SCALE: N.T.S.	TYPICAL DETAILS	BJC
DELTA SPECIALTY PRECAST CONCRETE ENGINEERS 880 HOOPER ROAD, ENDWELL, NY 13760 TEL: (607) 231-6600 FAX: (607) 231-6650			PROJECT:	TOWN OF WATERFORD, CALEDONIA, VT 16' x 8' BOX CULVERT BF 0225(4) VT RT. 18 BRIDGE #7	
CONTRACTOR:			DELTA PROJ. NO.:	DWG. ID.:	PD-02
			2018.477.003		SHT. NO. 15 OF 16