

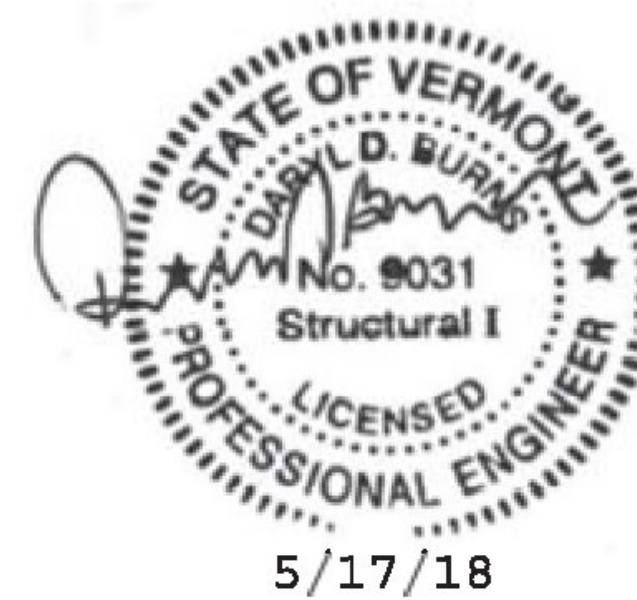
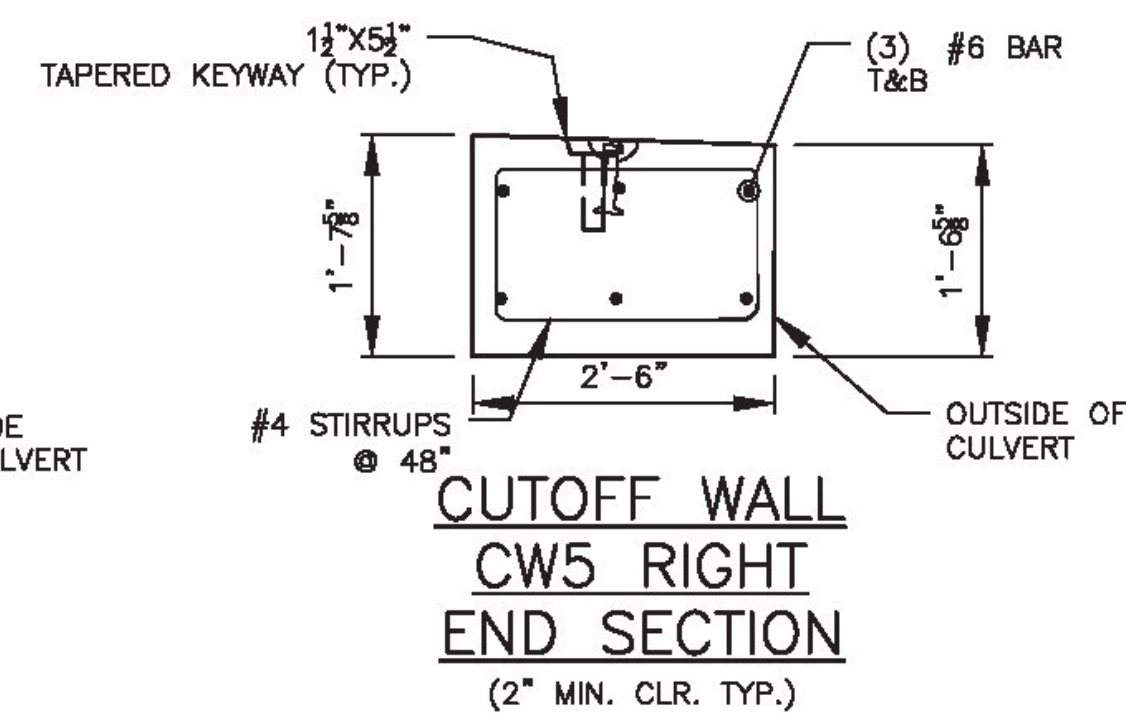
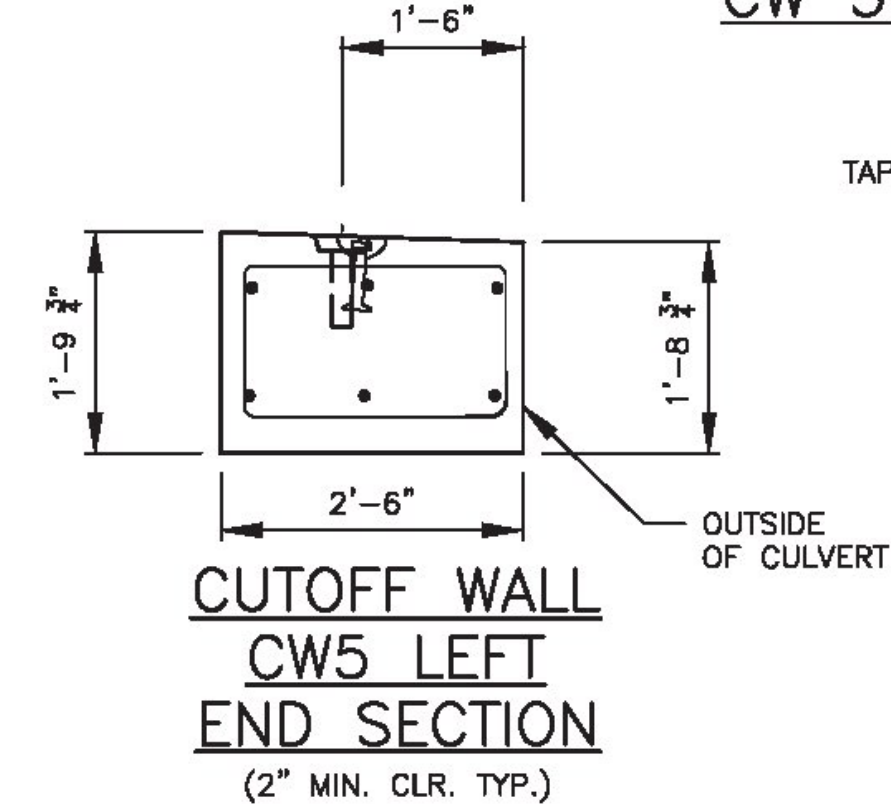
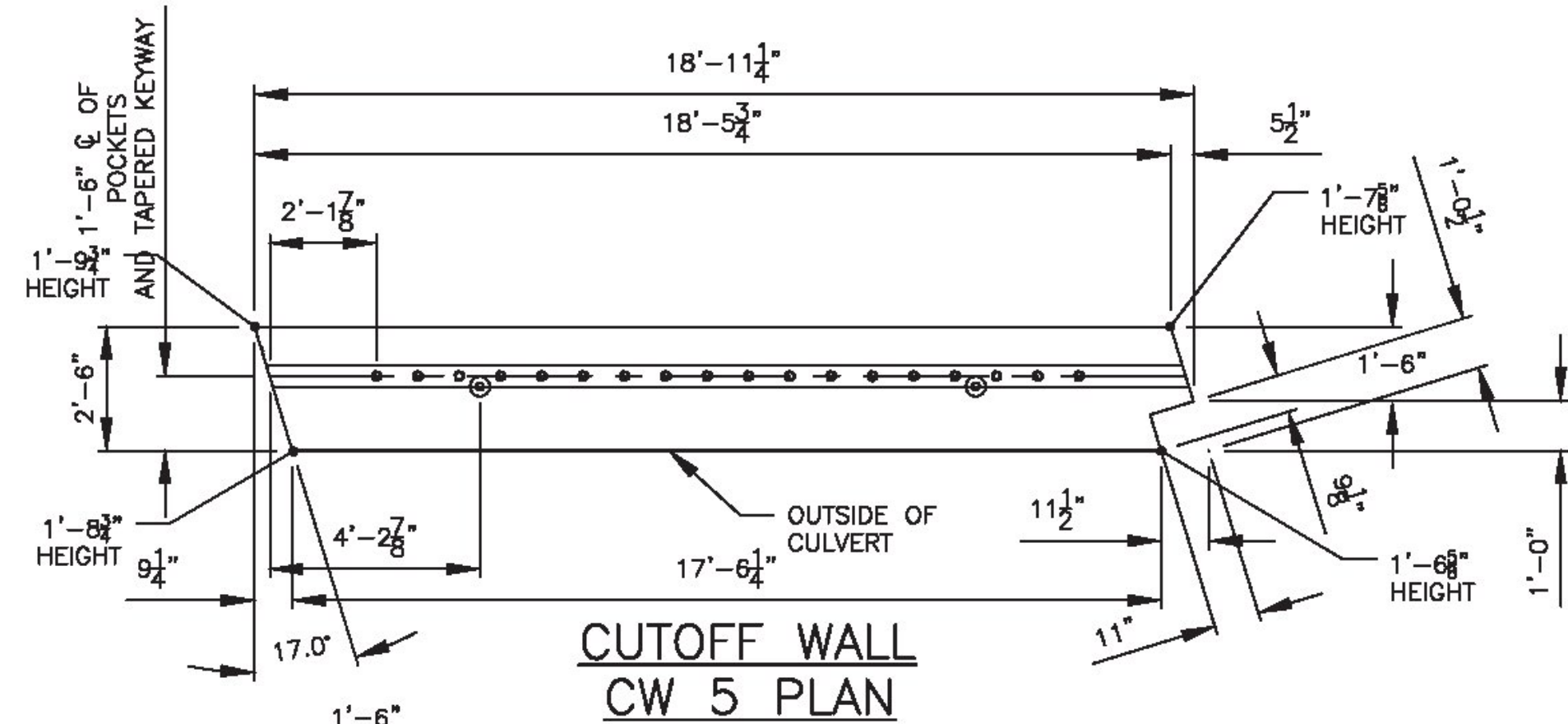
'A'  
4 1/2" HOOKS  
'B'  
TYPE T2  
MK 401E

BAR SCHEDULE FOR CW6						
BAR MARK	BAR SIZE	QTY.	BAR TYPE	LENGTH	"A"	"B"
MK401E	#4	5	T2	7'-7"	2'-2"	1'-3"
MK601E	#6	4	STR	17'-4"	-	-
MK602E	#6	2	STR	15'-6"	-	-

ALL EPOXY BAR

BAR SCHEDULE FOR CW5						
BAR MARK	BAR SIZE	QTY.	BAR TYPE	LENGTH	"A"	"B"
MK401E	#4	5	T2	7'-5"	2'-2"	1'-2"
MK601E	#6	4	STR	18'-1"	-	-
MK602E	#6	2	STR	17'-1"	-	-

ALL EPOXY BAR



5/17/18

PREPARED FOR:			CAMP PRECAST CONCRETE PRODUCTS		
			78 PRECAST RD MILTON, VT 05468 PHONE: (802)893-2401 FAX: (802)893-1542		
REV. NO. DATE REVISION			CAMP		
PREPARED BY:			DATE: 4/20/18 SHEET TITLE: CUTOFF WALLS CW5 AND CW6		
SCALE: N.T.S.			DRAWN BY: BJC		
PROJECT: TOWN OF WATERFORD, CALEDONIA, VT 16' x 8' BOX CULVERT BF 0225(4) VT RT. 18 BRIDGE #7			CHKD BY: RPJ/RJA		
CONTRACTOR: DELTA SPECIALTY PRECAST CONCRETE ENGINEERS			DWG. I.D. PD-02		
DELTA PROJ. NO.: 2018.477.003			SHT. NO. 14 OF 16		

**DELTA**  
SPECIALTY PRECAST CONCRETE ENGINEERS  
880 HOOPER ROAD, ENDWELL, NY 13760  
TEL: (607) 231-6600 FAX: (607) 231-6650