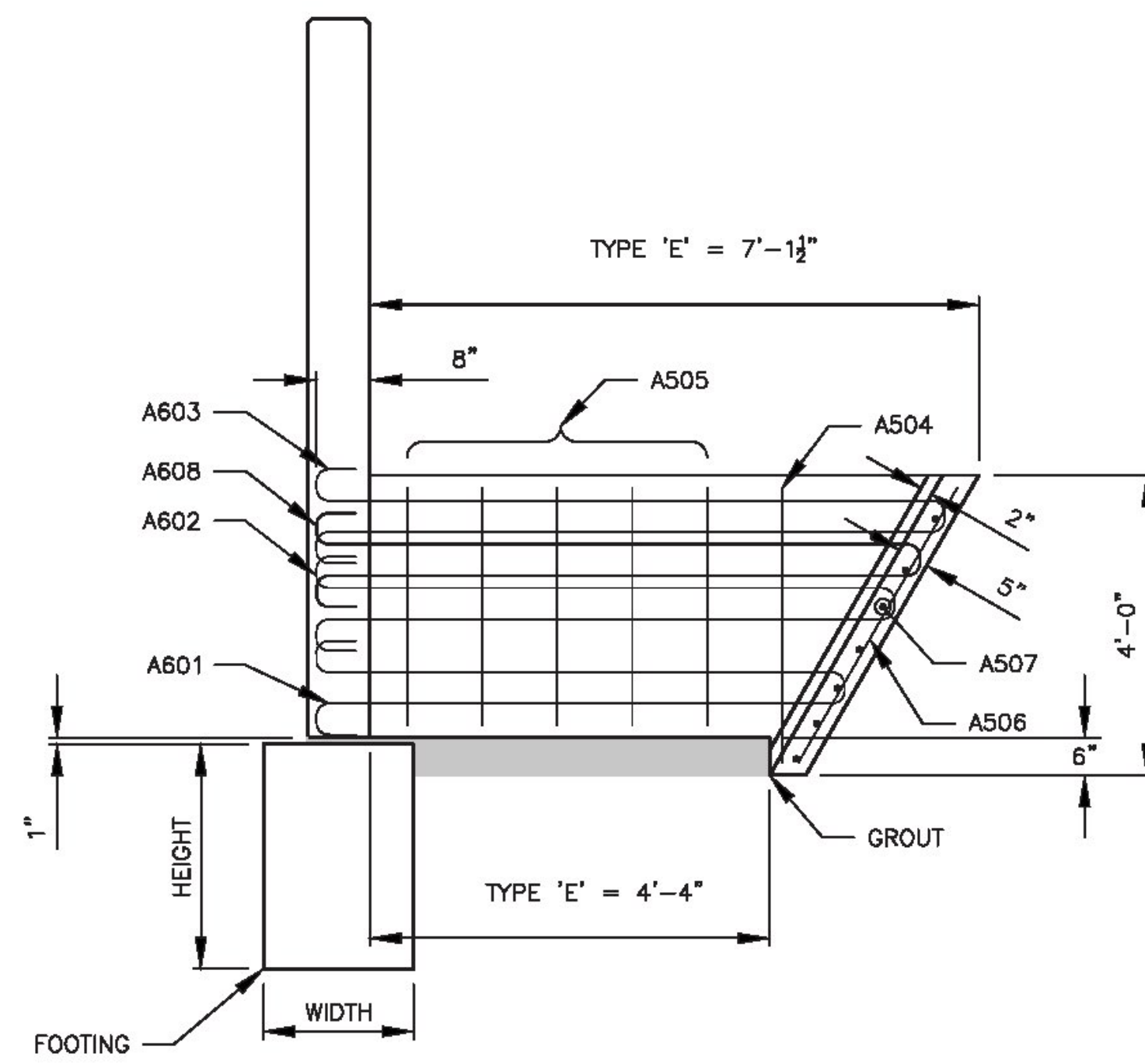


WINGWALL ANCHOR  
PLAN VIEW



WINGWALL SECTION

E ANCHOR BAR SCHEDULE (EPOXY)

PART	MARK	QTY	SIZE	SPC	LENGTH	TYPE	A	B	C	D
ANCHOR (E)	A601E	1	#6	0"	174"	TYP1	5"	72"		
ANCHOR (E)	A602E	1	#6	0"	190"	TYP1	5"	80"		
ANCHOR (E)	A603E	1	#6	0"	206"	TYP1	5"	88"		
ANCHOR	A504	2	#5	0"	56"	TYP2	12"	44"	0"	0"
ANCHOR (E)	A505	8	#5	12"	38"	STR				
ANCHOR	A506	4	#5	VAR.	50"	STR	0"	0"	0"	0"
ANCHOR	A507	7	#5	8"	26"	STR	0"	0"	0"	0"
ANCHOR (E)	A608E	1	#6	0"	198"	TYP1		84"		

CUBIC YARDS = .64 WEIGHT = 1.3 TONS

NOTE: ALL BAR COVER 2" MIN. UNLESS NOTED OTHERWISE



REV. NO.		DATE	REVISION
PREPARED BY:		PREPARED FOR: <b>CAMP PRECAST CONCRETE PRODUCTS</b> 78 PRECAST RD MILTON, VT 05468 PHONE: (802)893-2401 FAX: (802)893-1542	
<b>DELTA</b> SPECIALTY PRECAST CONCRETE ENGINEERS 880 HOOPER ROAD, ENDWELL, NY 13760 TEL: (607) 231-6600 FAX: (607) 231-6650		DATE: 4/20/18 SCALE: N.T.S.	SHEET TITLE: <b>ANCHOR DETAILS</b> DRAWN BY: BJC CKD BY: RPJ/RJA
PROJECT: TOWN OF WATERFORD, CALEDONIA, VT 16' x 8' BOX CULVERT BF 0225(4) VT RT. 18 BRIDGE #7		CONTRACTOR: DELTA PROJ. NO.: 2018.477.003	
		DWG. I.D.: PD-02 SHY. NO.: 12 OF 16	