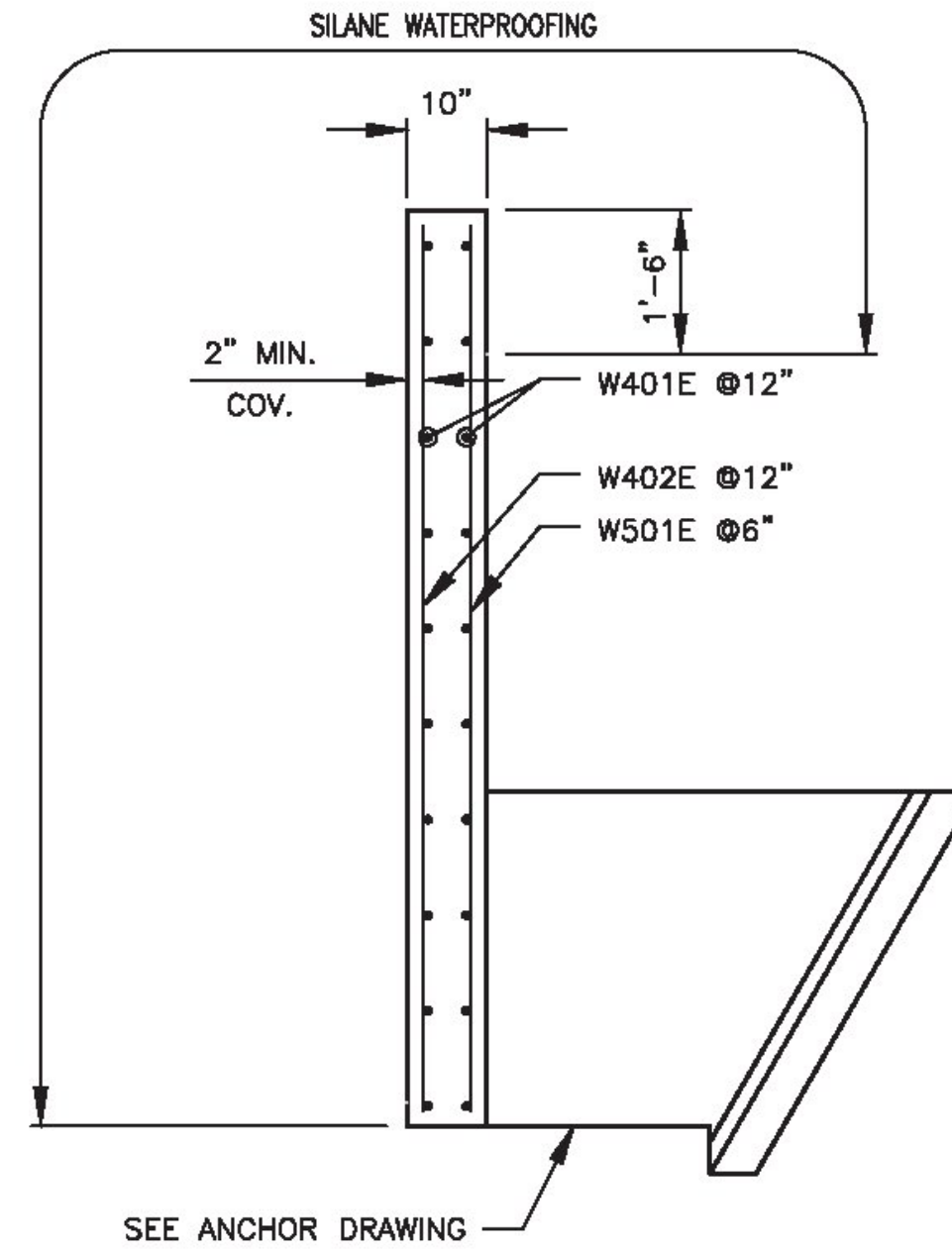
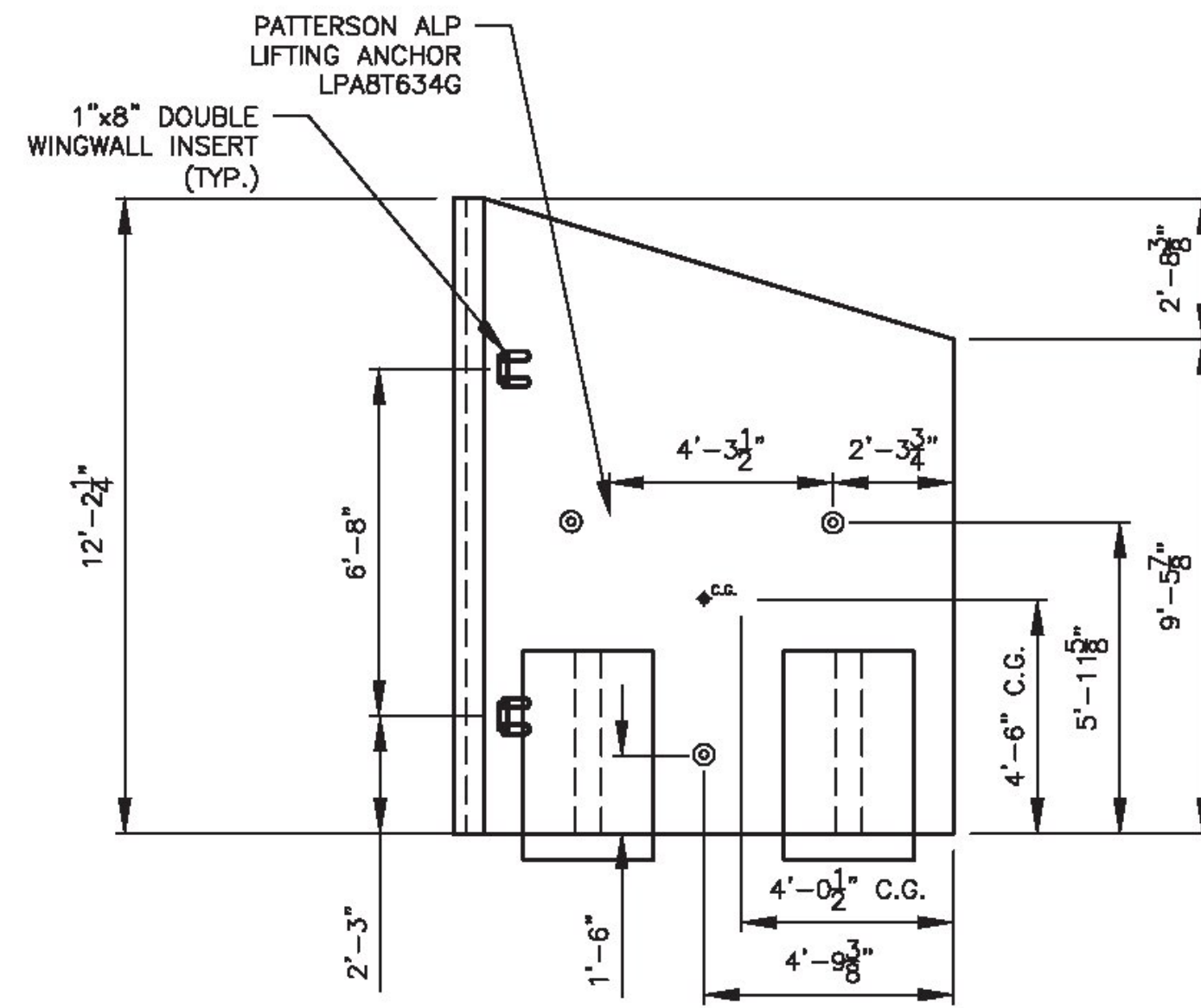
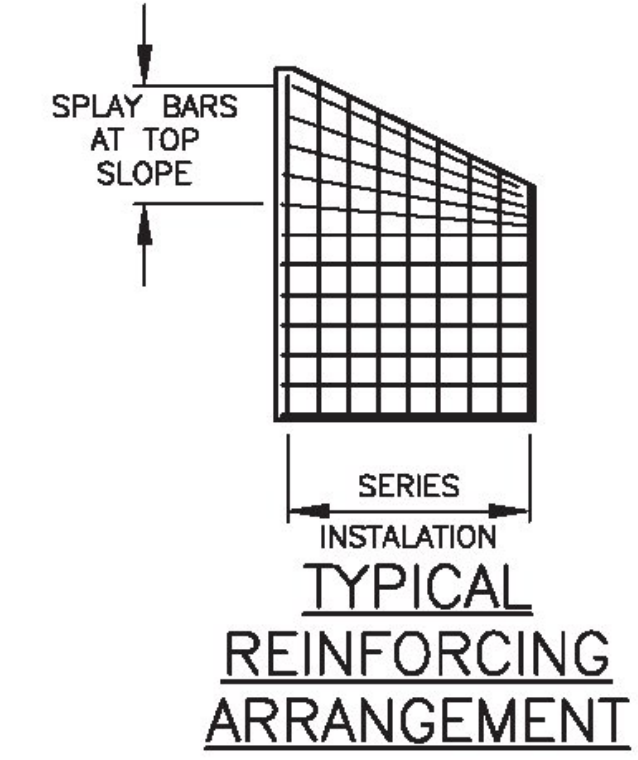


WINGWALL WW3



WINGWALL SECTION



WINGWALL WW3
ELEVATION
SHOWING BACK FACE OF WALL

WINGWALL WW3							
PART	MARK	QTY	SIZE	SPC	NOTE	LEN	TYPE
WW (H)	W401E	24	#4	12"	-	104"	STR
WW (V)	W402E	10	#4	12"	SERIES	142 TO 110"	STR
WW (V)	W501E	19	#5	6"	SERIES	142 TO 110"	STR

NOTE: ALL BAR COVER 2" MIN. UNLESS NOTED OTHERWISE. QUANTITIES ARE FOR ONE WINGWALL.



5/17/18

REV. NO.			DATE			REVISION					
PREPARED BY:						PREPARED FOR:					
 DELTA SPECIALTY PRECAST CONCRETE ENGINEERS 880 HOOPER ROAD, ENDWELL, NY 13760 TEL: (607) 231-6800 FAX: (607) 231-6850						CAMP PRECAST CONCRETE PRODUCTS 78 PRECAST RD MILTON, VT 05468 PHONE: (802)893-2401 FAX: (802)893-1542					
						DATE: 4/20/18		SHEET TITLE: WINGWALL WW3		DRAWN BY: BJC	
SCALE: N.T.S.		DETAILS		CHKD BY: RPJ/RJA							
PROJECT:						TOWN OF WATERFORD, CALEDONIA, VT 16' x 8' BOX CULVERT VT RT. 18 BRIDGE #7					
CONTRACTOR:			DELTA PROJ. NO.: 2018.477.003			DWG. I.D.:			PD-02		
						SHT. NO.:			10 OF 16		