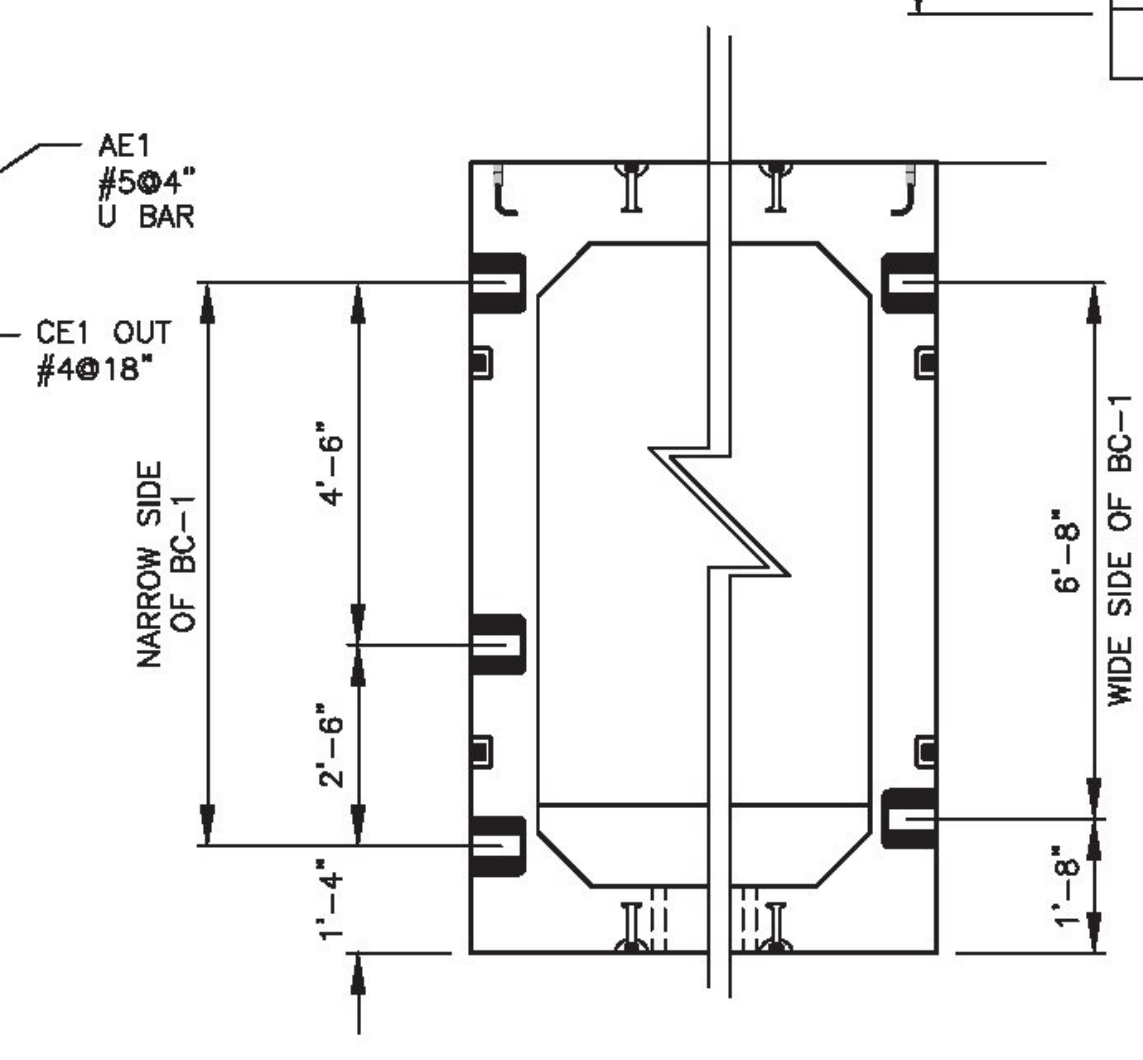


REINFORCING SECTION BC-3
(2" MIN. CLEAR)
(ALL EPOXY BAR)



SECTION VIEW MK BC-1 ONLY
WW ANCHOR PLACEMENT

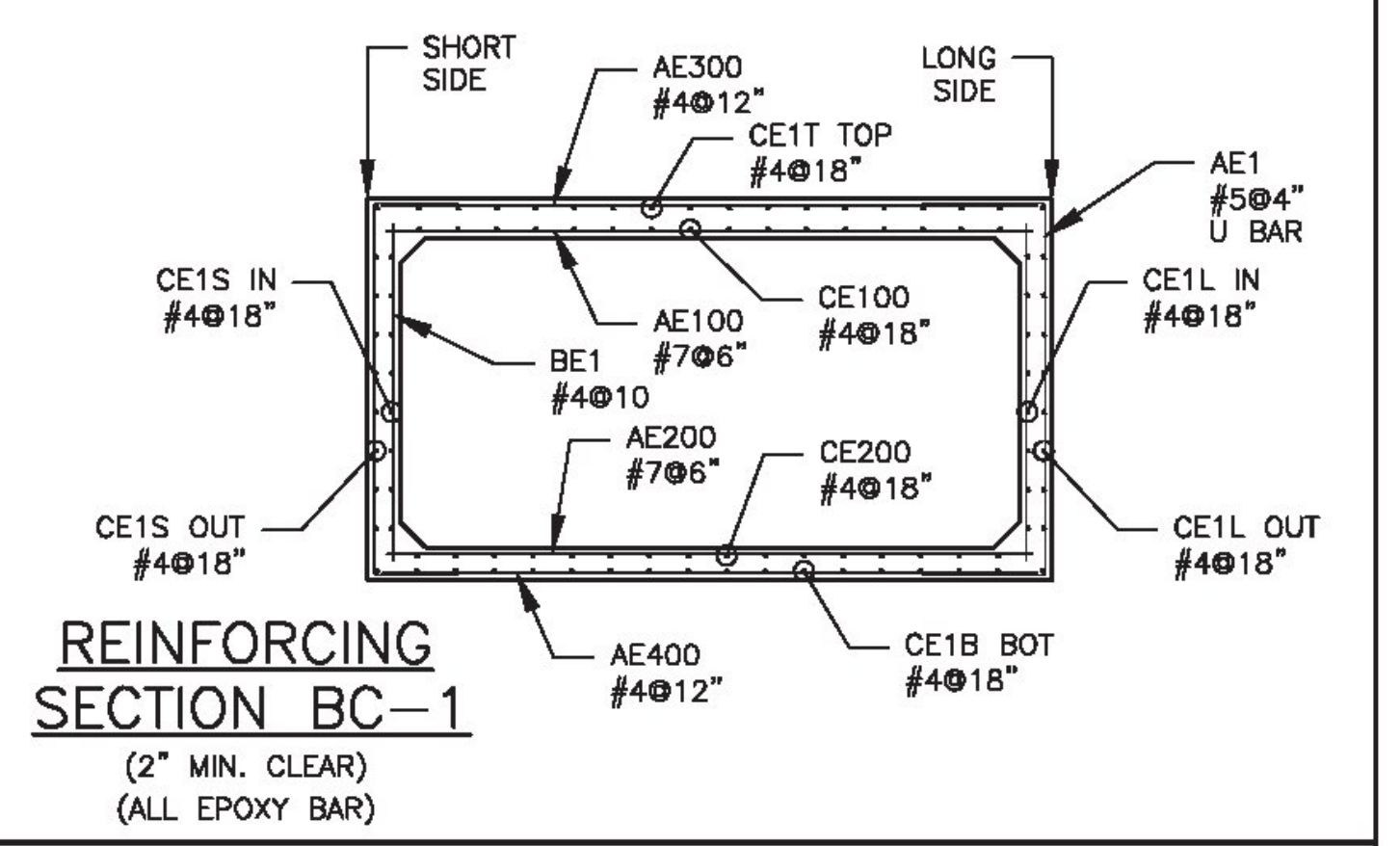
BC-3 BAR SCHEDULE

MARK	QTY.	BAR SIZE	MAX SPC	LENGTH	TYPE	B	C
AE100	14	#7	6"	17'-4"	STR	-	-
AE200	13	#7	6"	17'-4"	STR	-	-
AE300	7	#4	12"	17'-4"	STR	-	-
AE400	7	#4	12"	17'-4"	STR	-	-
AE1	38	#5	4"	18'-6"	"U"	4'-6"	9'-6"
BE1	16	#4	10"	5'-9"	STR	-	-
CE100	11	#4	18"	6'-0"	STR	-	-
CE200	11	#4	18"	5'-9"	STR	-	-
CE1 TOP	11	#4	18"	6'-0"	STR	-	-
CE1 BOT	11	#4	18"	5'-9"	STR	-	-
CE1 OUT	14	#4	18"	SERIES 5'-0 1/2" TO 6'-0 1/2"	STR	-	-
CE1 IN	14	#4	18"	SERIES 6'-0 1/2" TO 6'-4 1/2"	STR	-	-

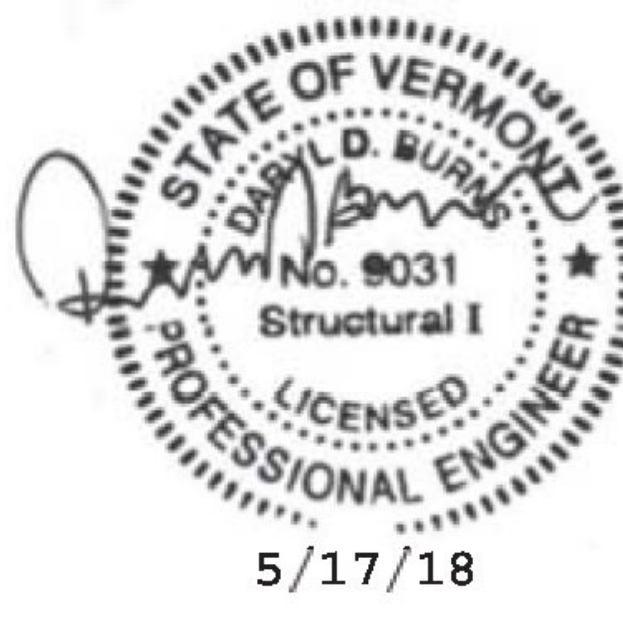
ALL EPOXY BAR

BC-1 BAR SCHEDULE

MARK	QTY.	BAR SIZE	MAX. SPC.	LENGTH	TYPE	B	C
AE100	15	#7	6"	17'-4"	STR	SPLAY	
AE200	16	#7	6"	17'-4"	STR	SPLAY	
AE300	8	#4	12"	17'-4"	STR	SPLAY	
AE400	8	#4	12"	17'-4"	STR	SPLAY	
AE1	46	#5	4"	18'-6"	"U"	4'-6"	9'-6"
BE1	20	#4	10"	8'-6"	STR	-	-
CE100	11	#4	18"	SERIES 1'-8" TO 6'-10"	STR	-	-
CE200	11	#4	18"	SERIES 1'-11" TO 7'-1"	STR	-	-
CE1T TOP	11	#4	18"	SERIES 1'-8" TO 6'-10"	STR	-	-
CE1B BOT	11	#4	18"	SERIES 2'-0" TO 7'-2"	STR	-	-
CE1S IN SHORT	7	#4	18"	SERIES 1'-5" TO 1'-9"	STR	IN SHORT	
CE1S OUT SHORT	7	#4	18"	SERIES 1'-8" TO 2'-0"	STR	OUT SHORT	
CE1L IN LONG	7	#4	18"	SERIES 6'-7" TO 6'-11"	STR	IN LONG	
CE1L OUT LONG	7	#4	18"	SERIES 6'-10" TO 7'-2"	STR	OUT LONG	



REINFORCING SECTION BC-1
(2" MIN. CLEAR)
(ALL EPOXY BAR)



PREPARED FOR: CAMP PRECAST CONCRETE PRODUCTS 78 PRECAST RD MILTON, VT 05468 PHONE: (802)893-2401 FAX: (802)893-1542	
DATE: 4/20/18 SCALE: N.T.S.	SHEET TITLE: BC-1 AND BC-3 REINFORCING
DRAWN BY: BJC CKD BY: RPJ/RJA	PROJECT: TOWN OF WATERFORD, CALEDONIA, VT 16' x 8' BOX CULVERT BF 0225(4) VT RT. 18 BRIDGE #7
CONTRACTOR: DELTA SPECIALTY PRECAST CONCRETE ENGINEERS 880 HOOPER ROAD, ENDWELL, NY 13760 TEL: (607) 231-6600 FAX: (607) 231-6650	DWS. I.D.: PD-02 DELTA PROJ. NO.: 2018.477.003 SHY. NO.: 5 OF 16