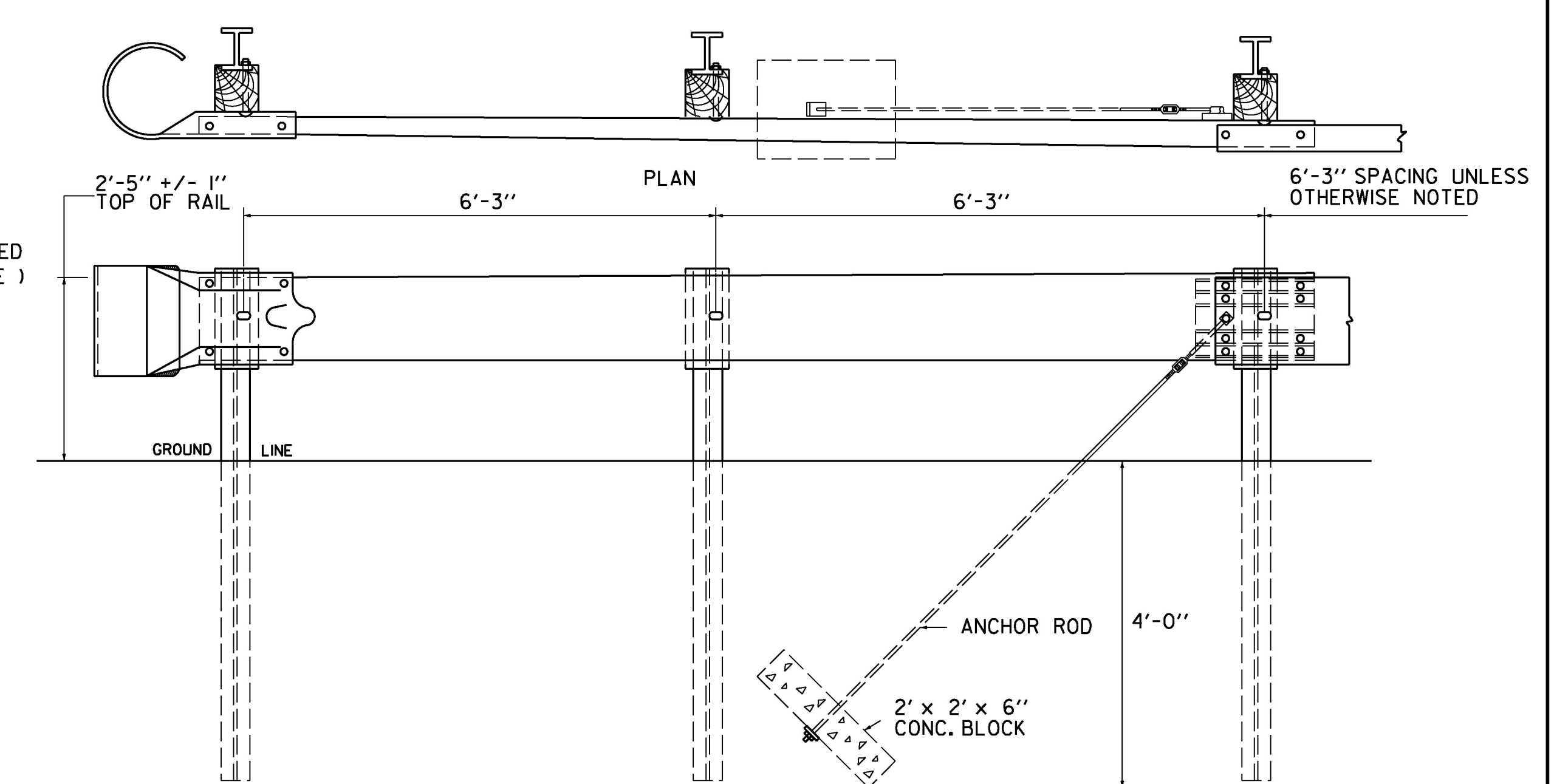
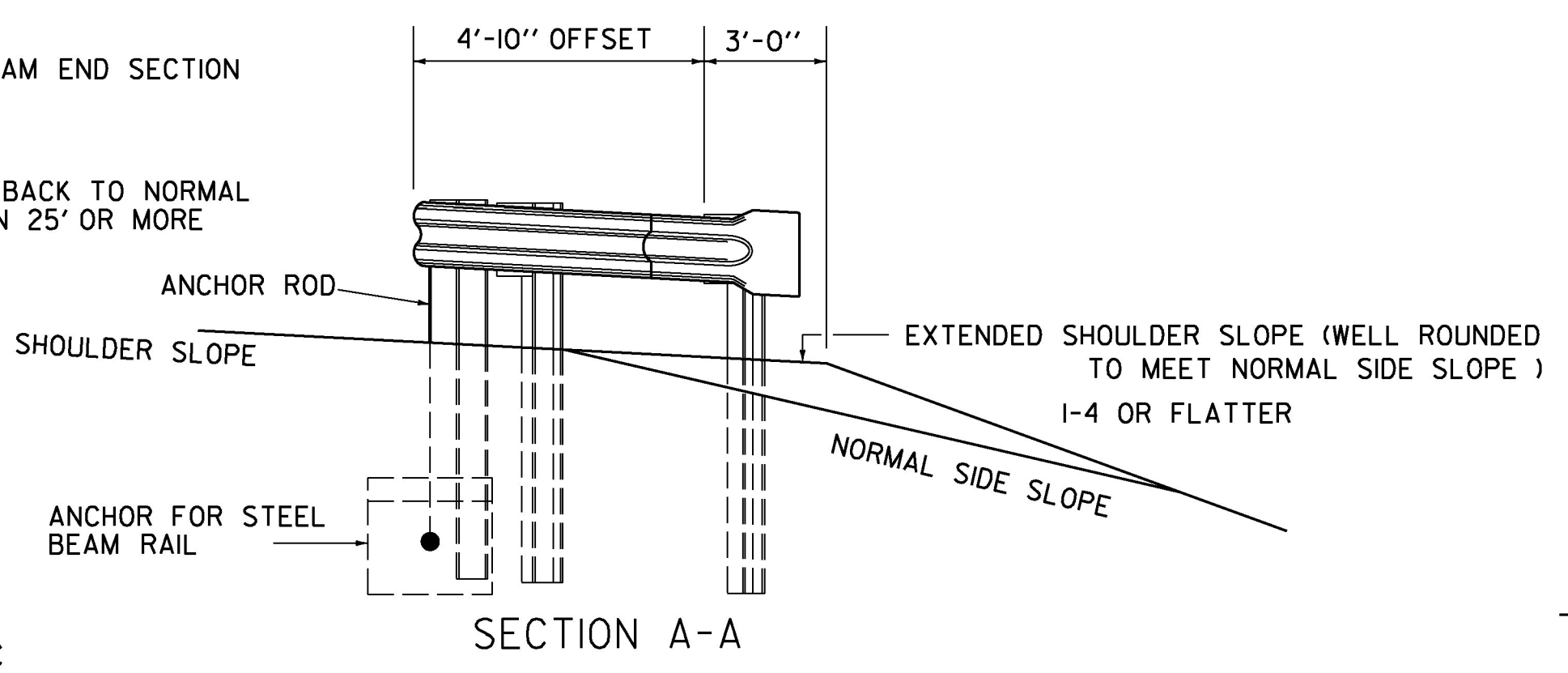


APPROACH END DETAIL  
 NHS APPROVED FOR USE WHERE DESIGN SPEED IS 40 OR LESS MPH  
 NON-NHS APPROVED FOR USE WHERE DESIGN SPEED IS 50 OR LESS MPH

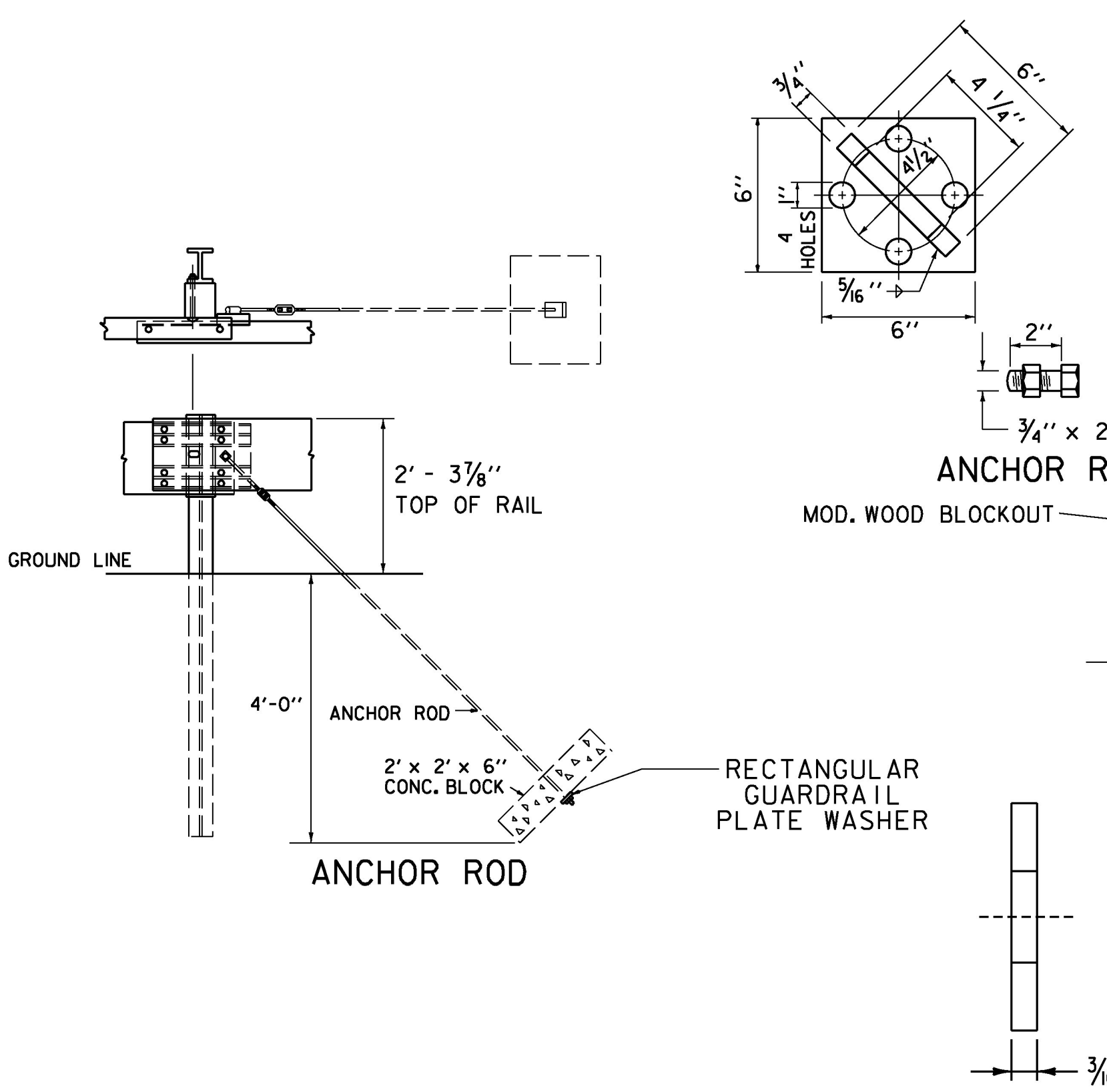


ASSEMBLY ELEVATION

TRAILING END TERMINAL FOR USE ON ONE-WAY HIGHWAYS

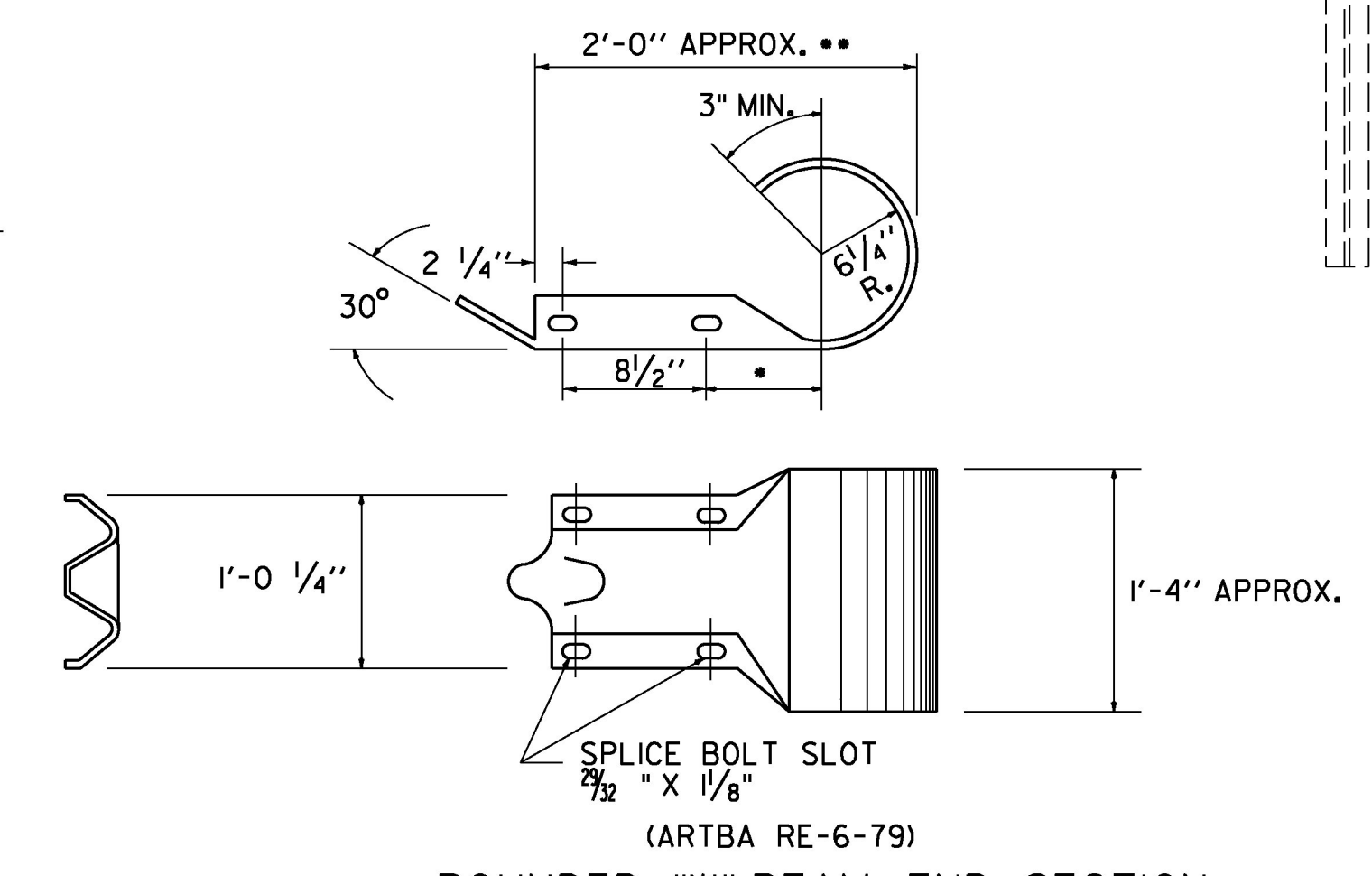
GENERAL NOTES:

1. ALL METAL PARTS SHALL BE GALVANIZED
2. ALL WOOD POSTS SHALL BE GIVEN A PRESERVATIVE TREATMENT
3. DETAILS PERTINENT TO THE STANDARD INSTALLATION OF "W" BEAM SECTIONS WILL BE FOUND ON STANDARD DRAWING G-1.
4. FOR DESCRIPTION AND SPECIFICATIONS OF PARTS IDENTIFIED BY "ARTBA..." AND OTHER DETAILS OF POSTS, POST ACCESSORIES, FASTENERS AND RAIL ELEMENTS, SEE AASHTO-AGC-ARTBA JOINT TASK FORCE NO. 13, TITLED "A GUIDE TO STANDARDIZED HIGHWAY BARRIER HARDWARE", LATEST EDITION.
5. THE TRANSITION FROM THE APPROACH END TO THE STANDARD STEEL BEAM GUARDRAIL SHALL BE 25'-0" UNLESS OTHERWISE SPECIFIED.
6. WHEN STANDARD STEEL BEAM CONNECTS TO BRIDGE APPROACH RAIL OF A DIFFERENT HEIGHT THE LENGTH NEEDED TO TRANSITION THE HEIGHT OF STANDARD STEEL BEAM TO MATCH THE BRIDGE APPROACH RAIL SHALL BE 25'-0" UNLESS OTHERWISE SPECIFIED.
7. WHEN STANDARD STEEL BEAM CONNECTS TO A MANUFACTURED TERMINAL SECTION OF A DIFFERENT HEIGHT THE LENGTH NEEDED TO TRANSITION THE HEIGHT OF STANDARD STEEL BEAM TO MATCH THE MANUFACTURED TERMINAL SECTION SHALL BE 25'-0" UNLESS OTHERWISE SPECIFIED.



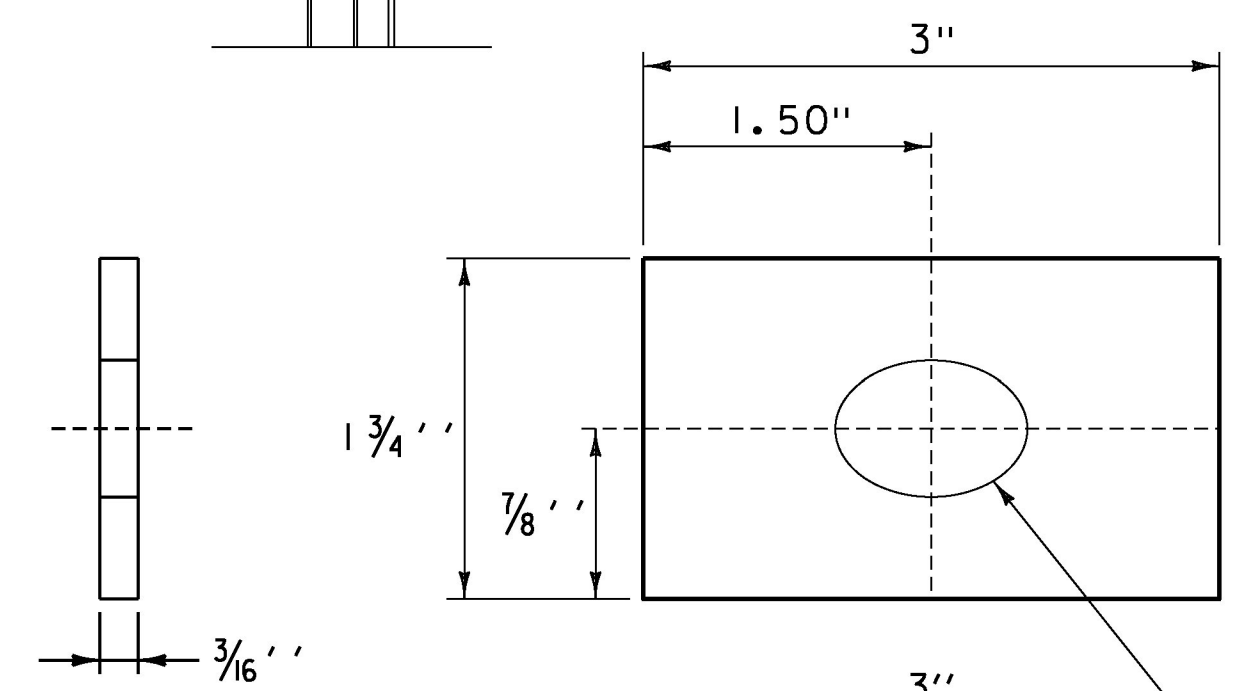
ANCHOR ROD CONNECTOR

ANCHOR ROD

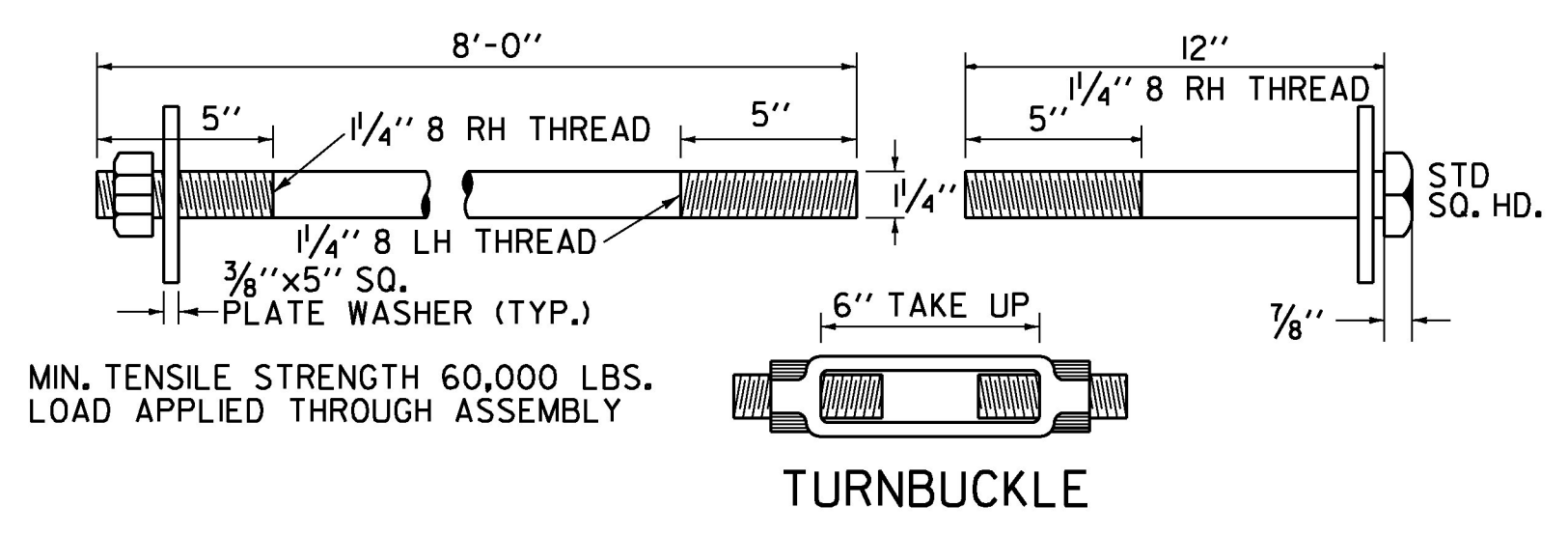


ROUNDED "W" BEAM END SECTION

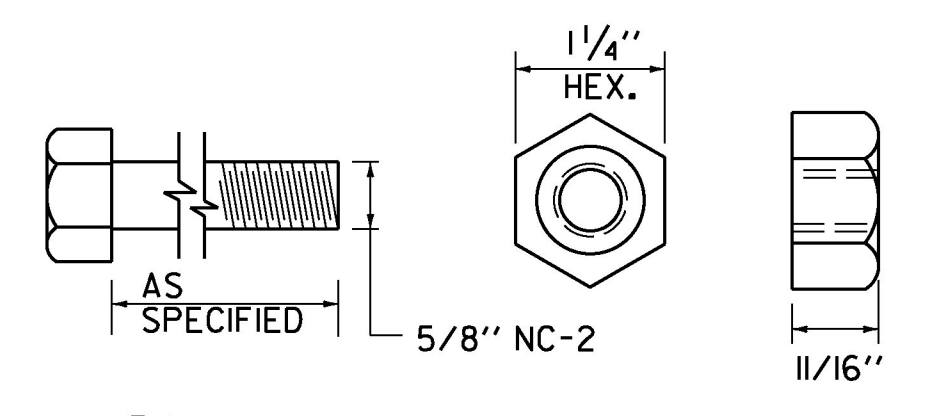
• THIS DIMENSION IS 7/2" IN RE-7-79. IF THE DIMENSION IS USED IN THIS PART, IT WILL GIVE AN ACCEPTABLE OVERALL LENGTH (\*\*) OF APPROXIMATELY 2'-11/2".



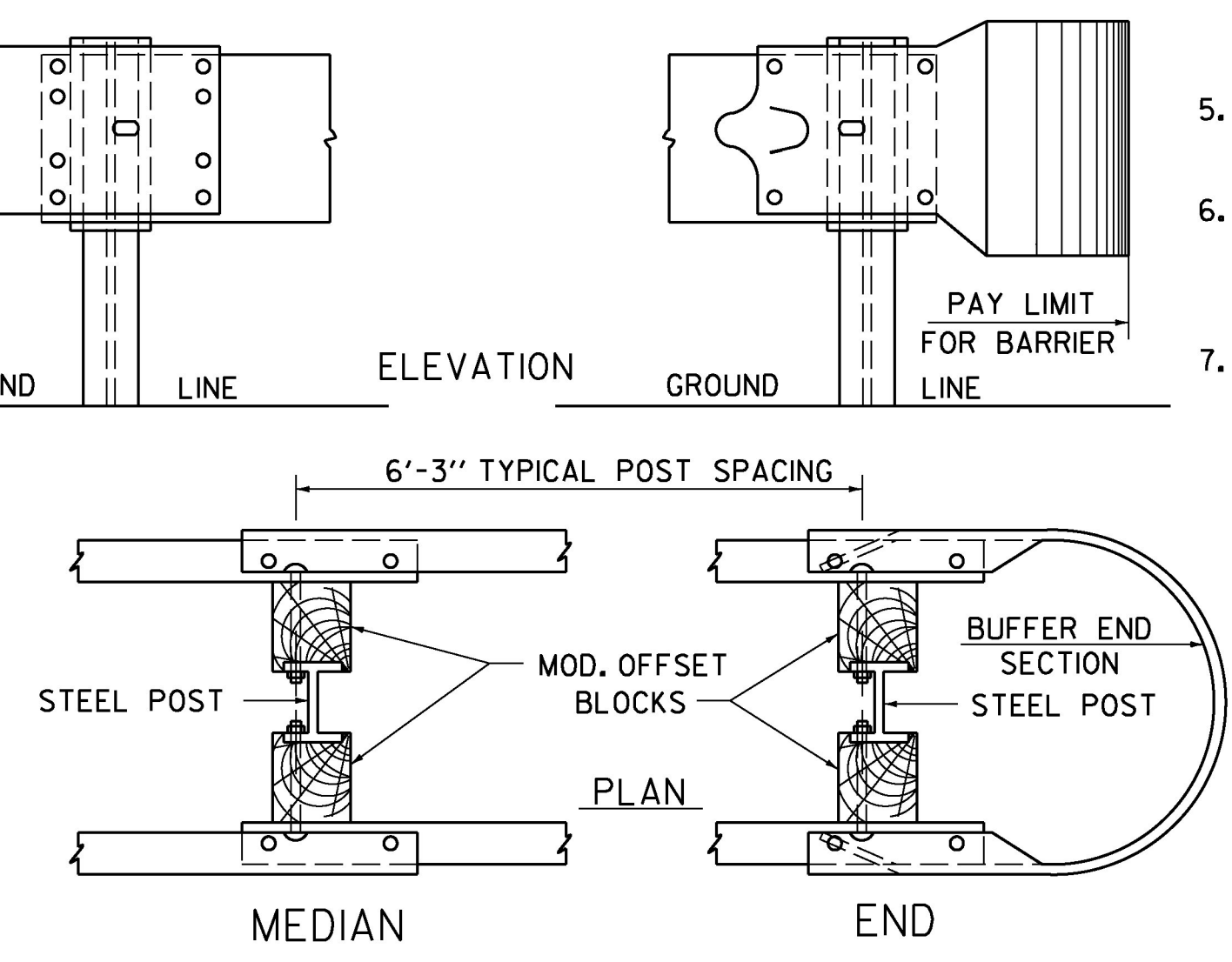
RECTANGULAR GUARDRAIL PLATE WASHER (FWRO3)



TURNBUCKLE



5/8" HEX NUT AND BOLT "F" (ARTBA F-8-76)  
 FASTENER DETAILS



STEEL BEAM MEDIAN BARRIER  
 NOTE: TO BE USED OUTSIDE CLEAR ZONE ONLY.

REV.	DATE	DESCRIPTION
2	JAN. 3, 2000	UPDATED TO REFLECT METRIC STD. CHANGES
3	FEB. 10, 2014	UPDATED TO REFLECT GUARDRAILS HEIGHT OF 29" AS NOTED IN FHWA LETTER DATED MAY 17, 2000
4	MAR. 10, 2017	UPDATED WASHER DETAILS
OTHER STANDARDS REQUIRED: G-1		
VTRANS AND FHWA APPROVAL ON FILE WITH CONTRACT ADMINISTRATION		

# STEEL BEAM GUARDRAIL END TERMINALS

## ANCHOR FOR STEEL BEAM GUARDRAIL

### STEEL BEAM MEDIAN BARRIER



STANDARD  
 G-1D