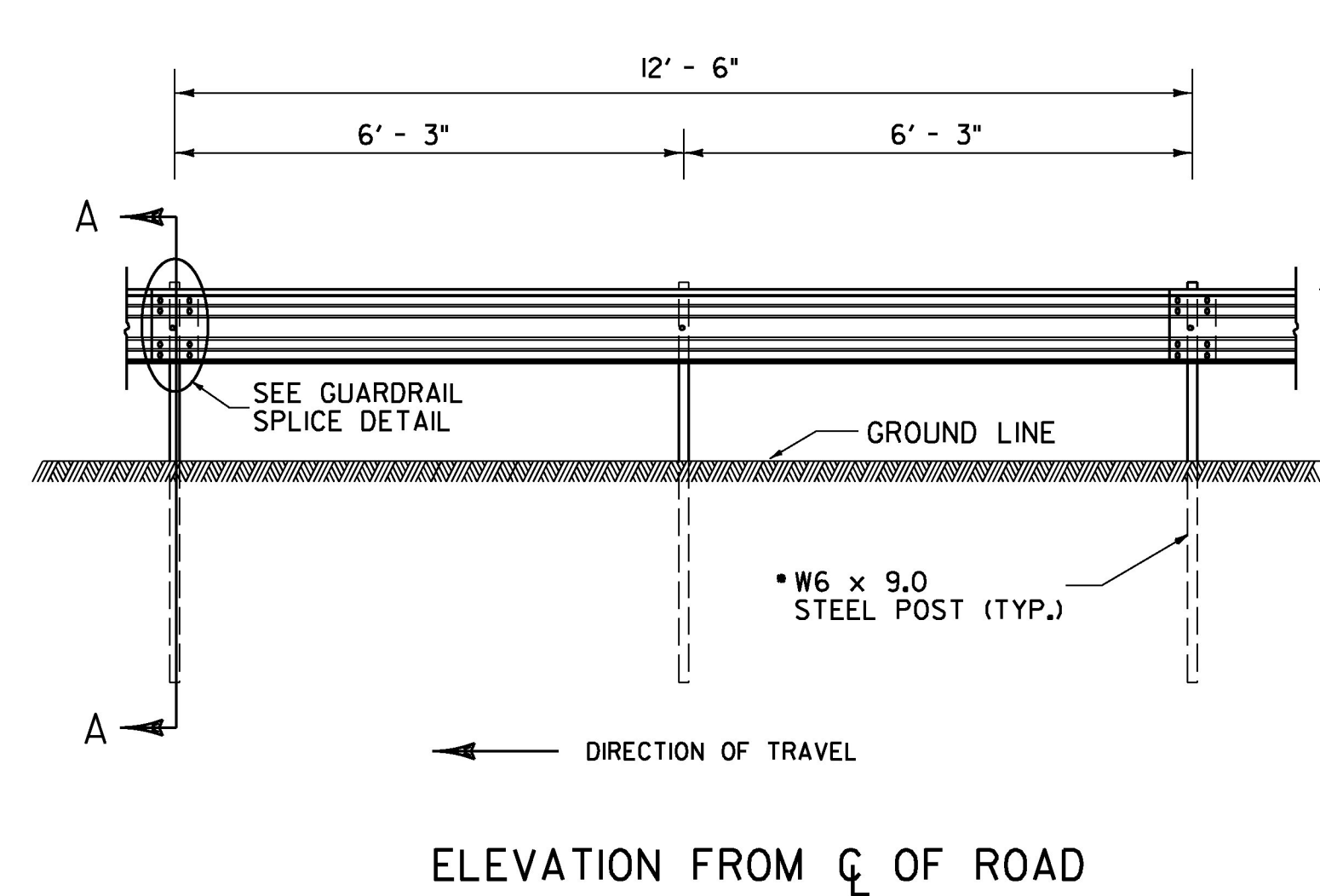
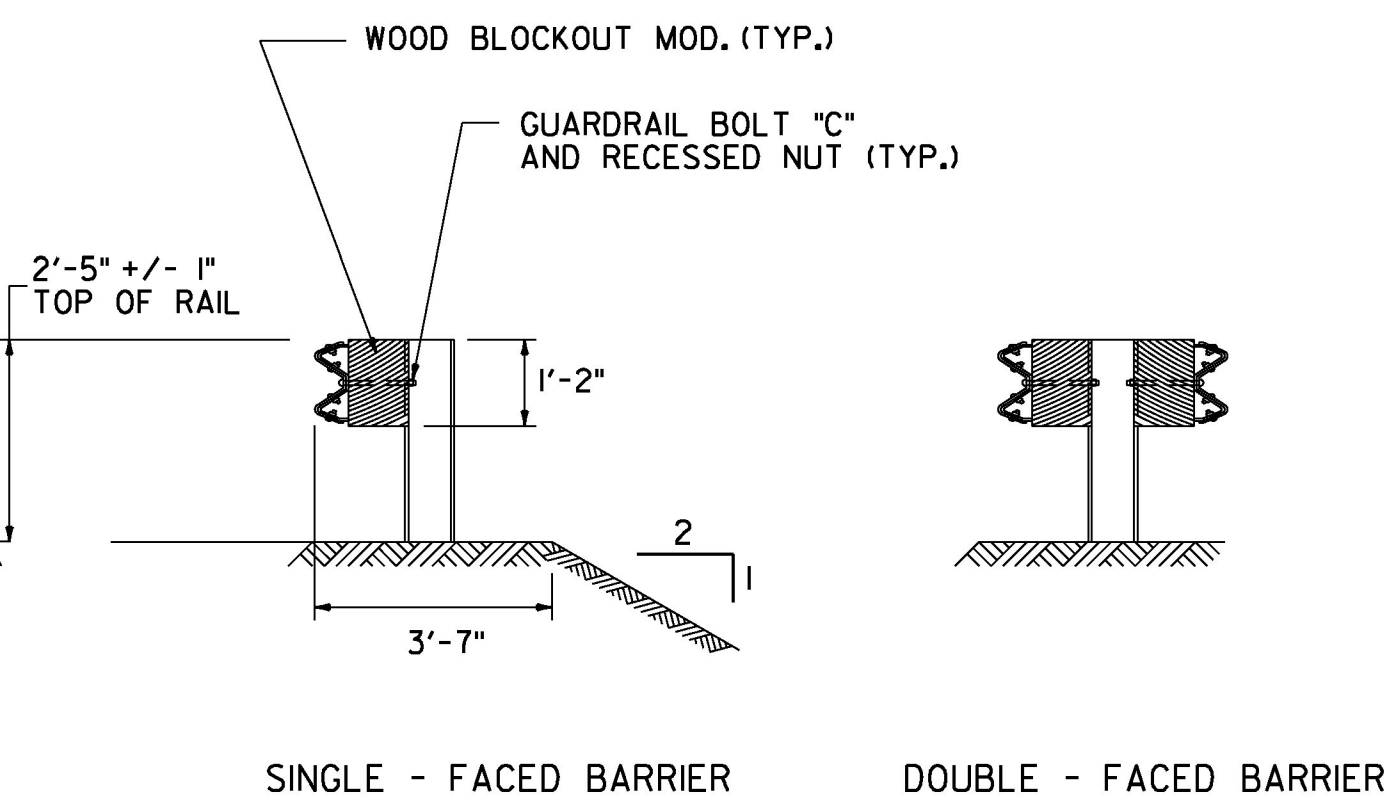


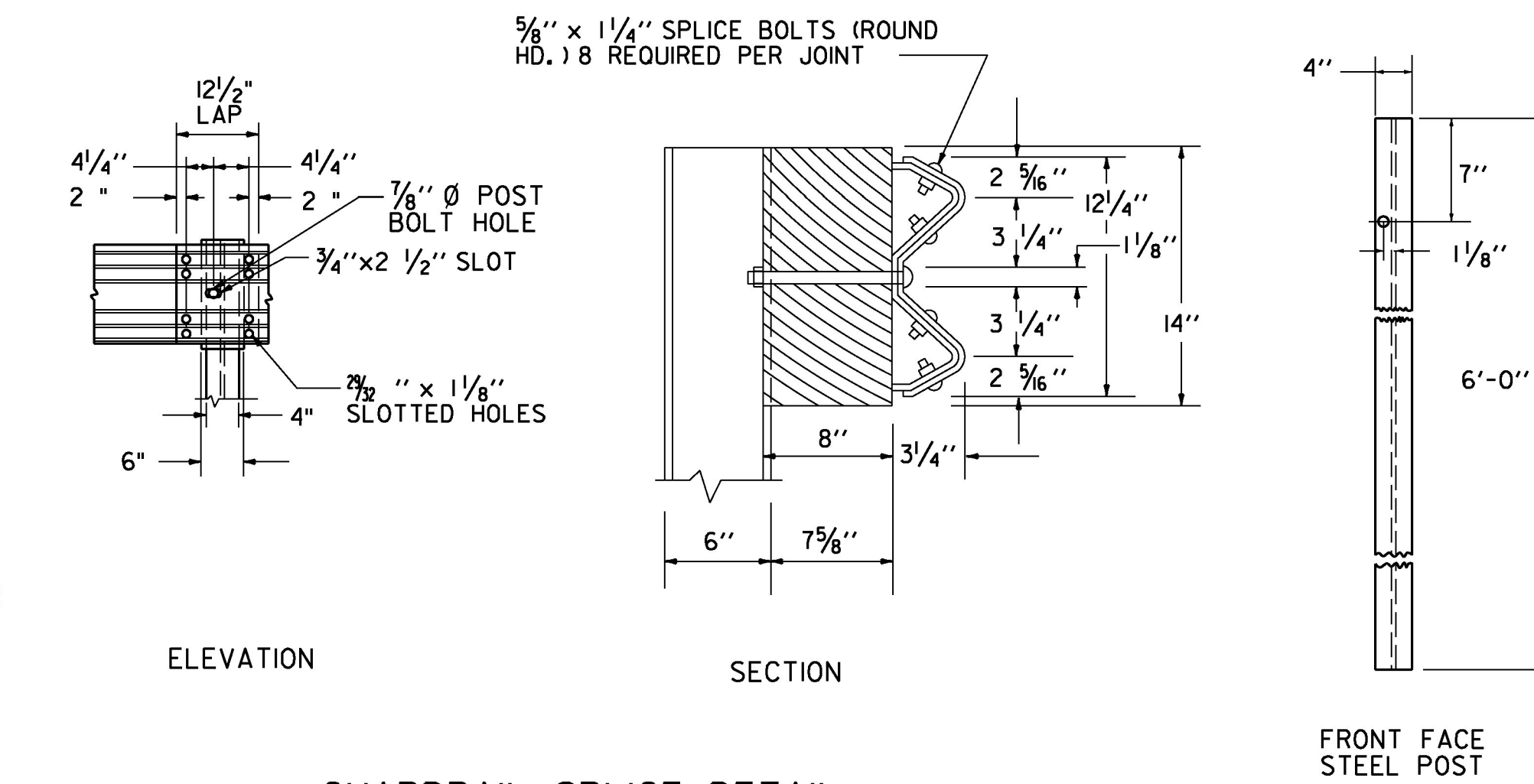
"W" BEAM GUARDRAIL WITH STEEL POSTS



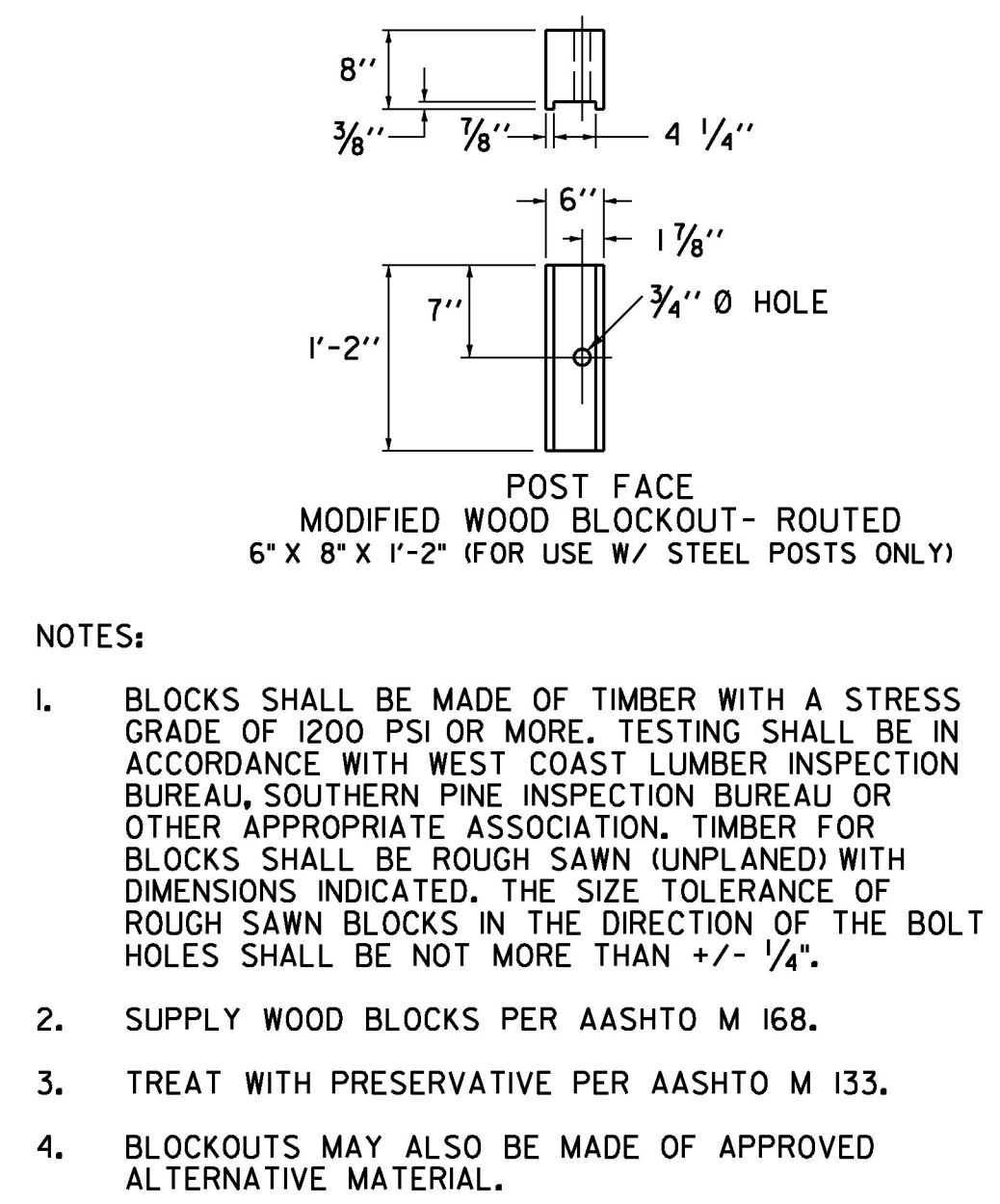
ELEVATION FROM CL OF ROAD



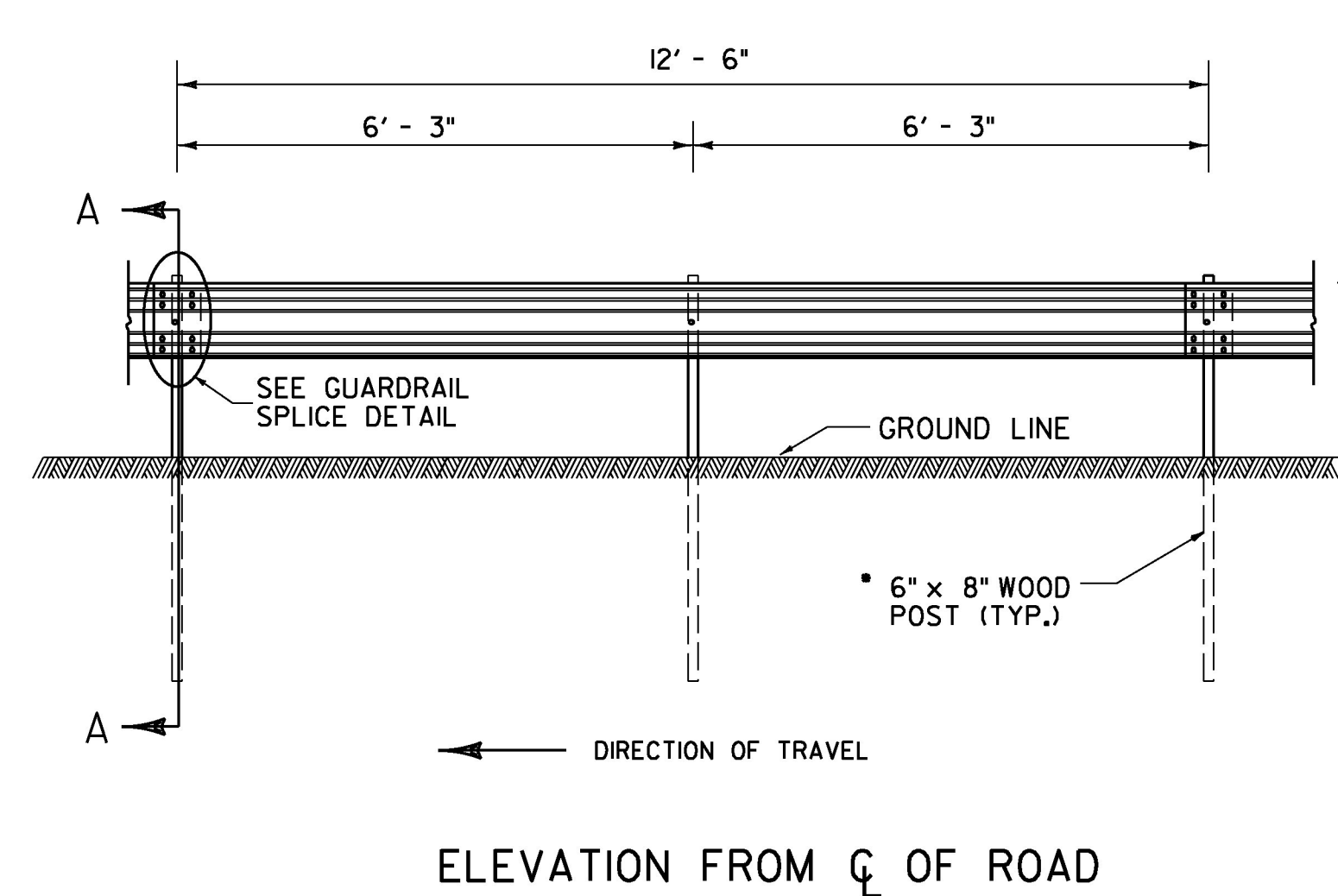
SECTION A - A



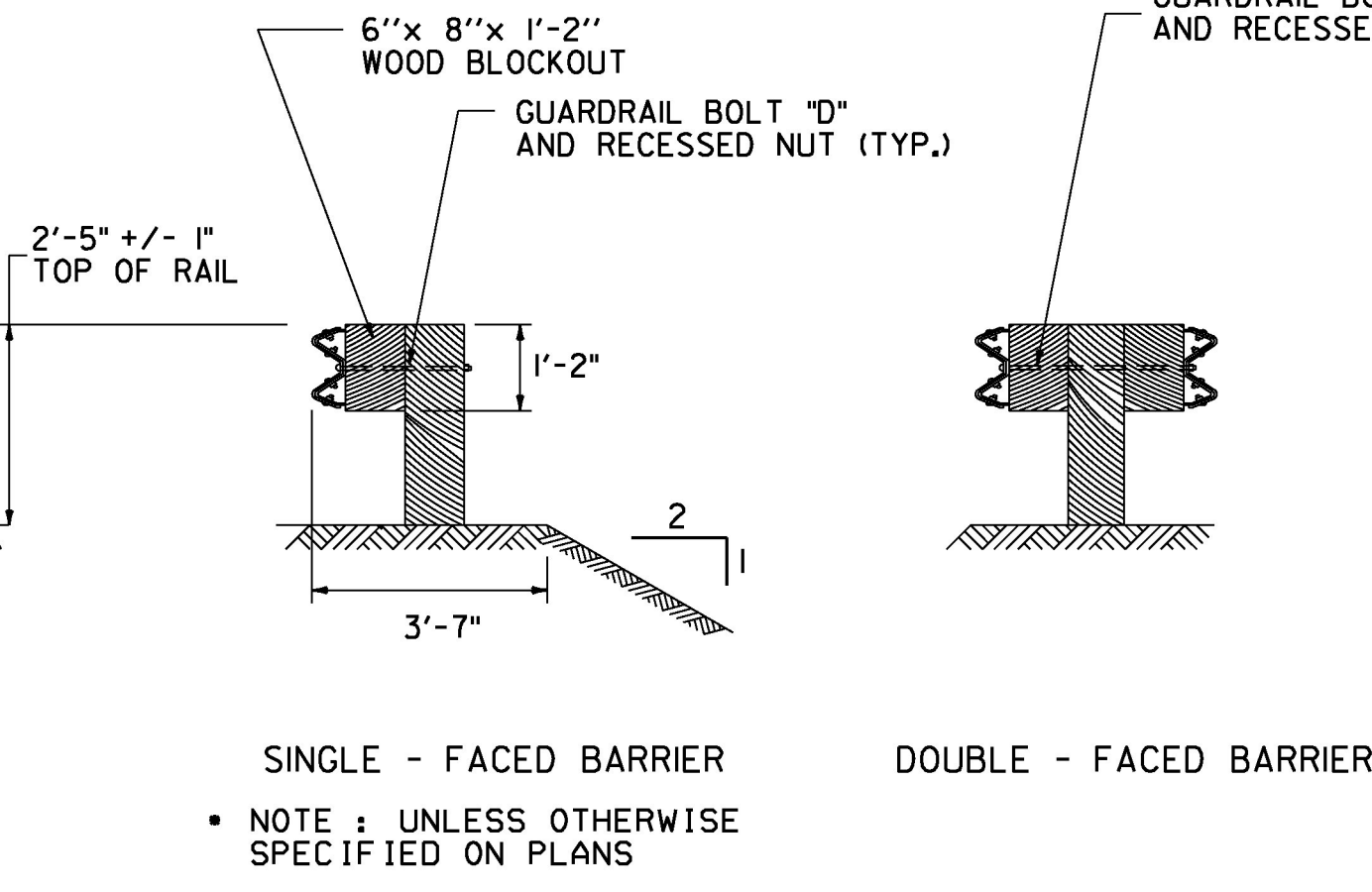
GUARDRAIL SPLICE DETAIL



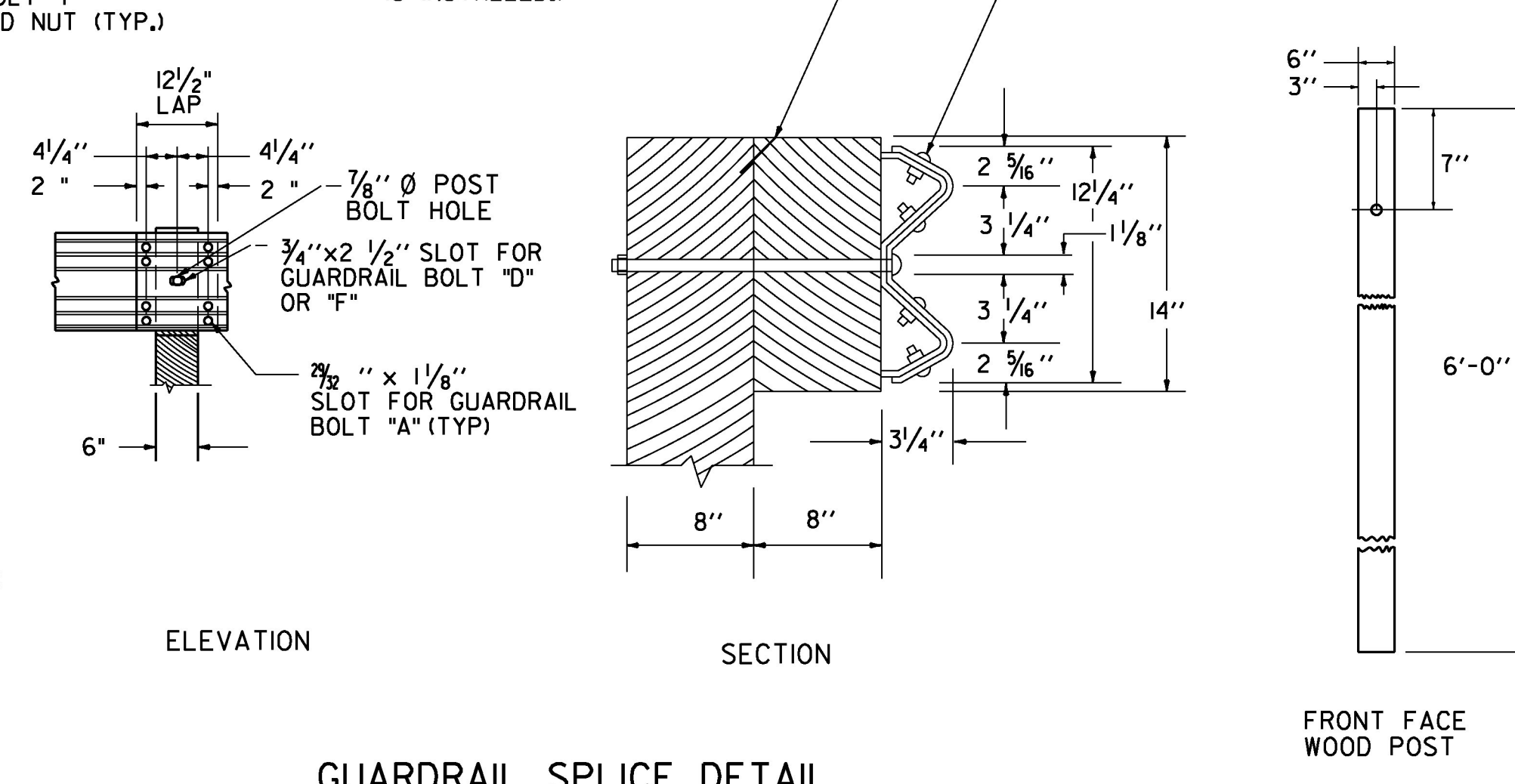
"W" BEAM GUARDRAIL WITH WOOD POSTS



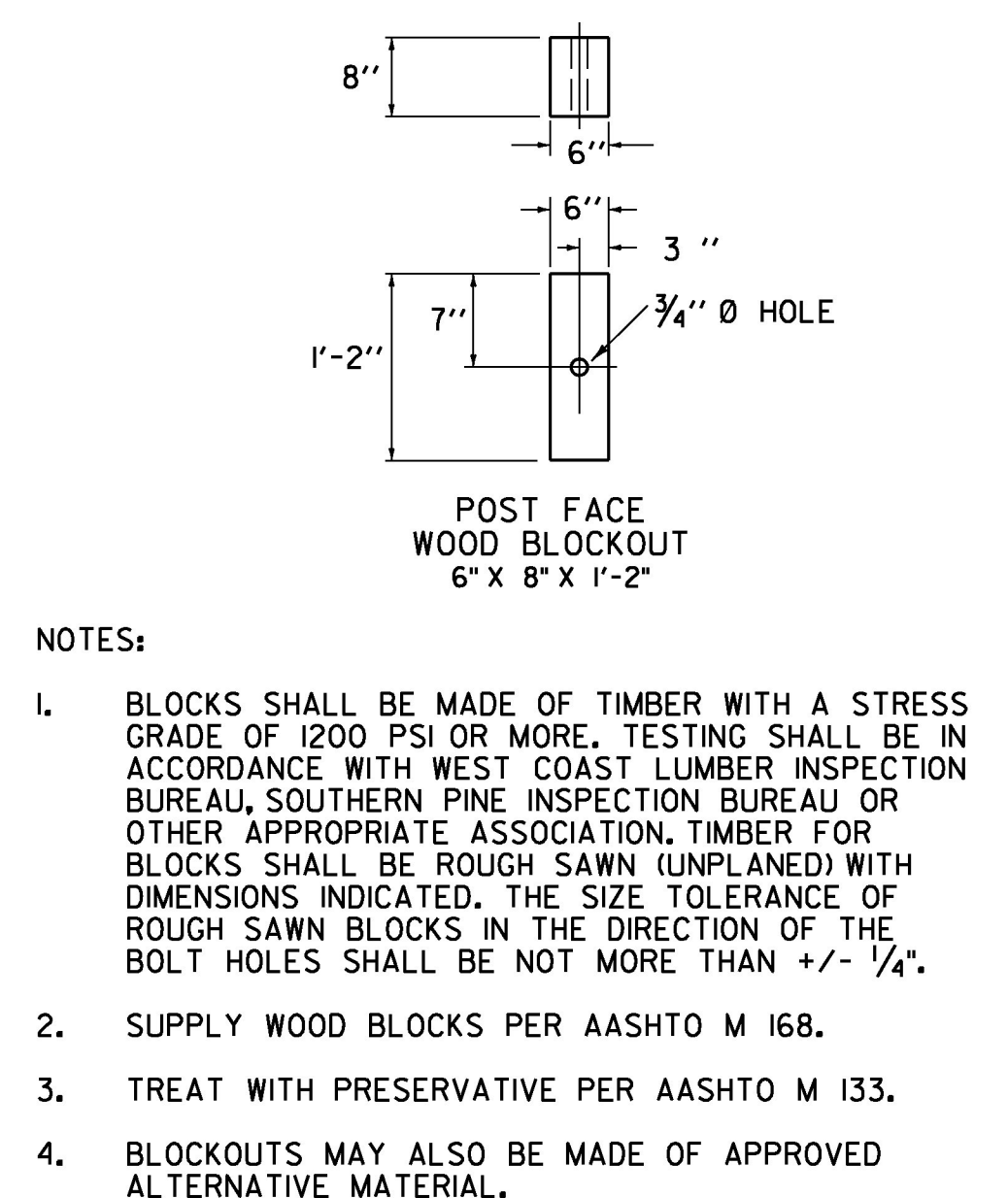
ELEVATION FROM CL OF ROAD



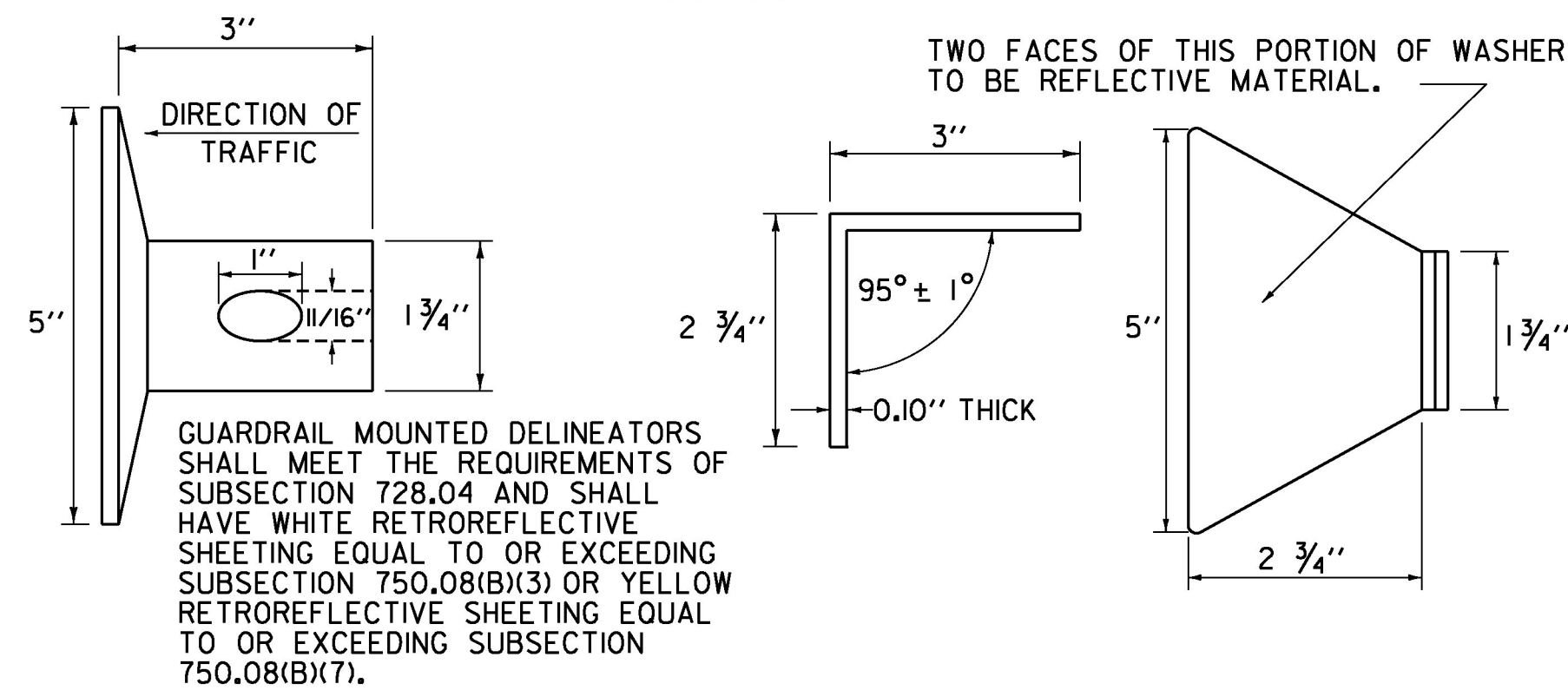
SECTION A - A



GUARDRAIL SPLICE DETAIL

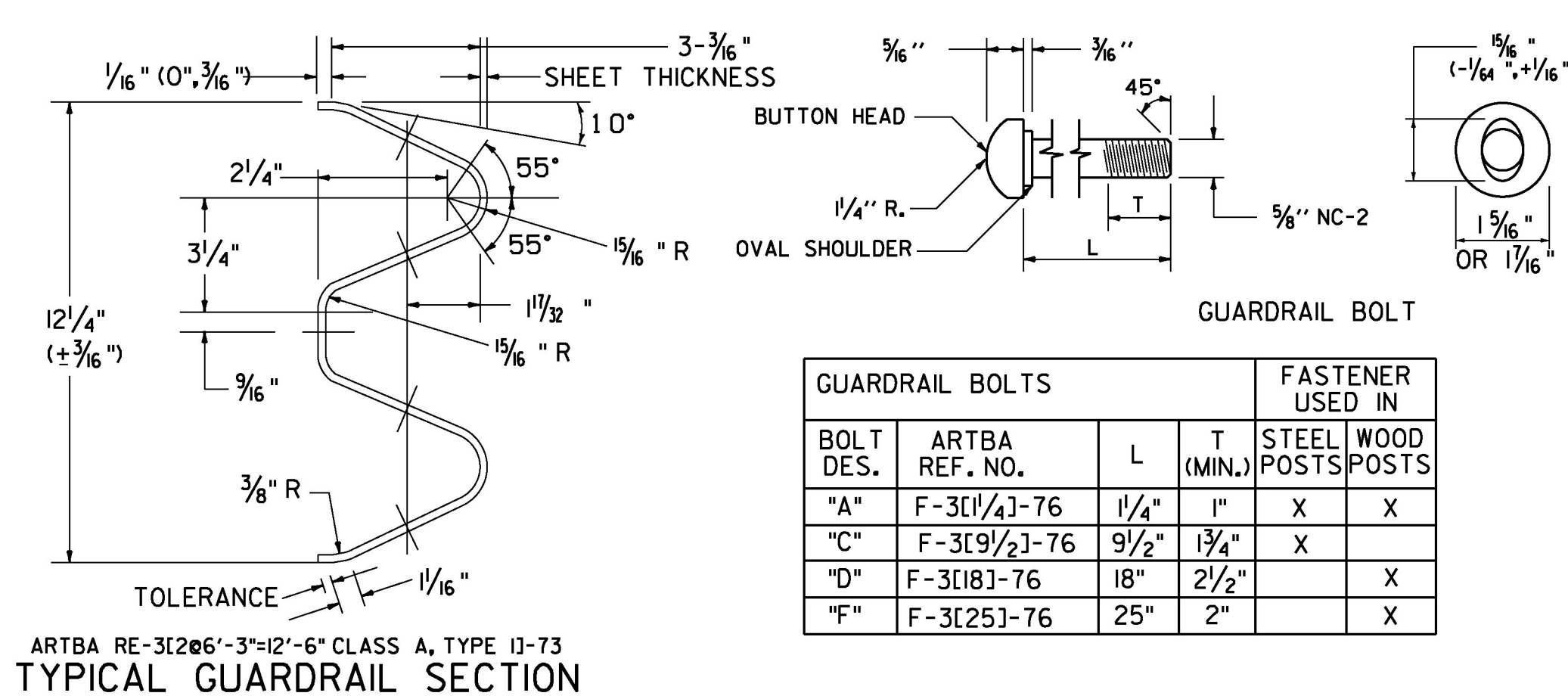


GUARDRAIL DELINEATOR



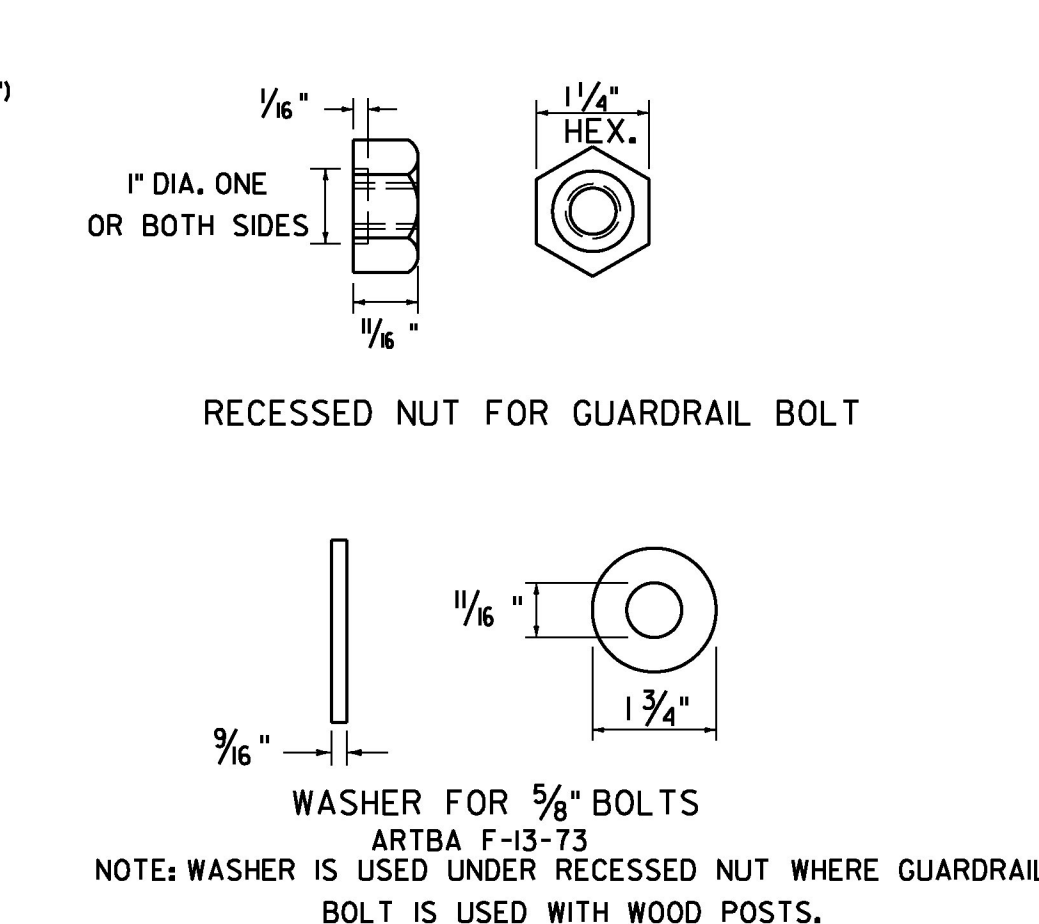
GUARDRAIL MOUNTED DELINEATORS SHALL MEET THE REQUIREMENTS OF SUBSECTION 728.04 AND SHALL HAVE WHITE RETROREFLECTIVE SHEETING EQUAL TO OR EXCEEDING SUBSECTION 750.08(B)(3) OR YELLOW RETROREFLECTIVE SHEETING EQUAL TO OR EXCEEDING SUBSECTION 750.08(B)(7).

THIS REFLECTORIZED ALUMINUM WASHER IS TO BE PLACED IN VALLEY OF BEAM WHEN MOUNTING BEAM ONTO EACH FIFTH POST. WASHER SHALL MEET SPECIFICATION REQUIREMENTS FOR A.S.T.M. B-209 ALLOY 5052-H32.



ARTBA RE-3[206]-3"x12'-6" CLASS A, TYPE II-73 TYPICAL GUARDRAIL SECTION

BOLT DES.	ARTBA REF. NO.	L	T (MIN.)	STEEL POSTS	WOOD POSTS
"A"	F-3[1/4]-76	1 1/4"	1"	X	X
"C"	F-3[9/2]-76	9/2"	1 3/4"	X	
"D"	F-3[18]-76	18"	2 1/2"		X
"F"	F-3[25]-76	25"	2"		X



- GENERAL NOTES:
- GUARDRAIL SHALL MEET THE REQUIREMENTS OF AASHTO M 180, CLASS A, TYPE I, UNLESS OTHERWISE DESIGNATED.
  - GUARDRAIL SHALL BE SINGLE FACED UNLESS OTHERWISE DESIGNATED.
  - GUARDRAIL SECTIONS SHALL BE LAPPED IN THE DIRECTION OF TRAFFIC FLOW FOR THE LANE NEAREST THE GUARDRAIL.
  - FOR DESCRIPTION AND SPECIFICATION OF PARTS IDENTIFIED BY (ARTBA ...) AND OTHER DETAILS OF POSTS, POST ACCESSORIES, FASTENERS & RAIL ELEMENTS, SEE AASHTO-AGC-ARTBA JOINT TASK FORCE NO. 13, TITLED "A GUIDE TO STANDARDIZED HIGHWAY BARRIER HARDWARE", LATEST EDITION.
  - STANDARD STEEL BEAM TO BE 1/8" AND THE HEAVY DUTY TO BE 3/4" THICK.

REV.	DATE	DESCRIPTION
--	FEB. 10, 2014	UPDATED TO REFLECT GUARDRAIL HEIGHT OF 29"; FHWA LETTER (MAY 17, 2010)
--	NOV. 10, 2015	UPDATED DELINEATOR RETROREFLECTIVE SHEETING NOTES
--	MAR. 10, 2017	REVISED GUARDRAIL SPLICE DETAIL
OTHER STANDARDS REQUIRED: G-ID		
VTRANS AND FHWA APPROVAL ON FILE WITH CONTRACT ADMINISTRATION		

STEEL BEAM GUARDRAIL WITH STEEL POSTS  
STEEL BEAM GUARDRAIL WITH WOOD POSTS

