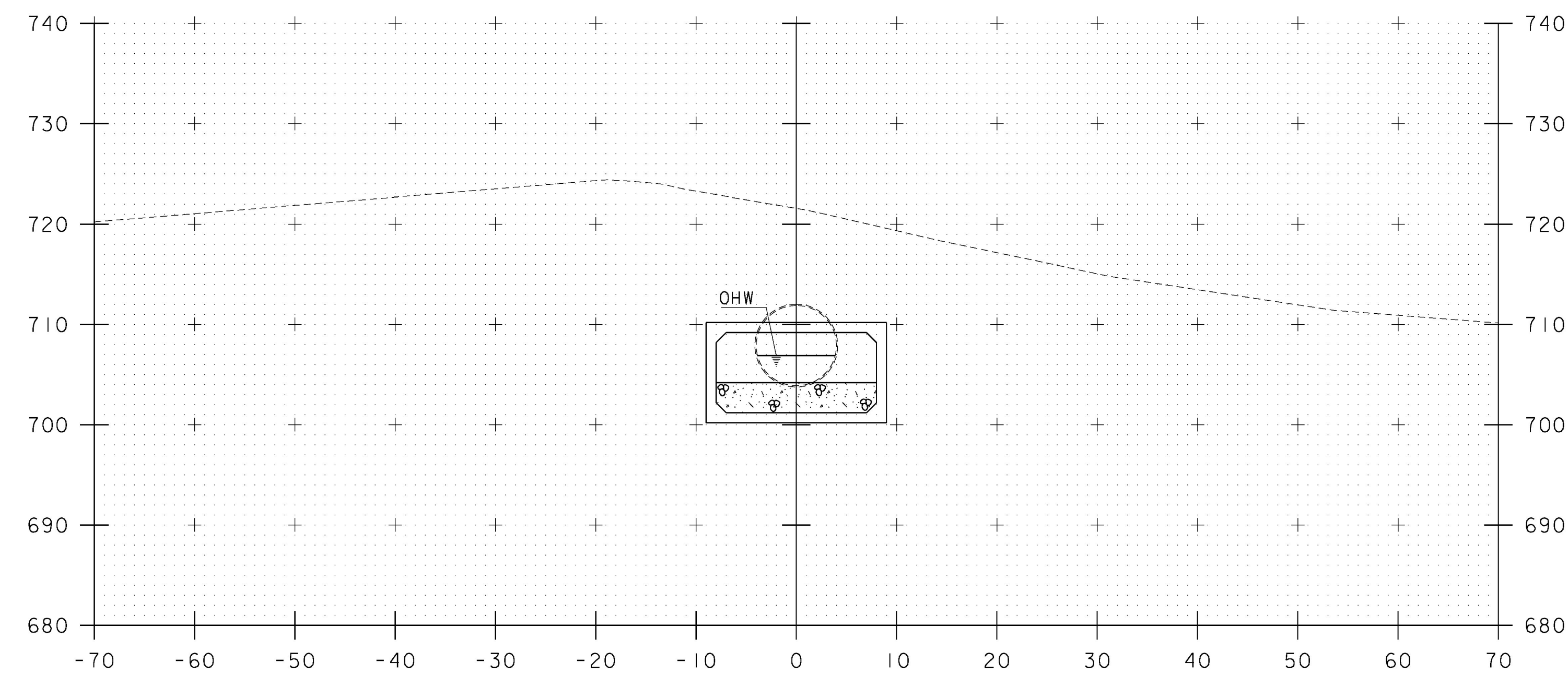
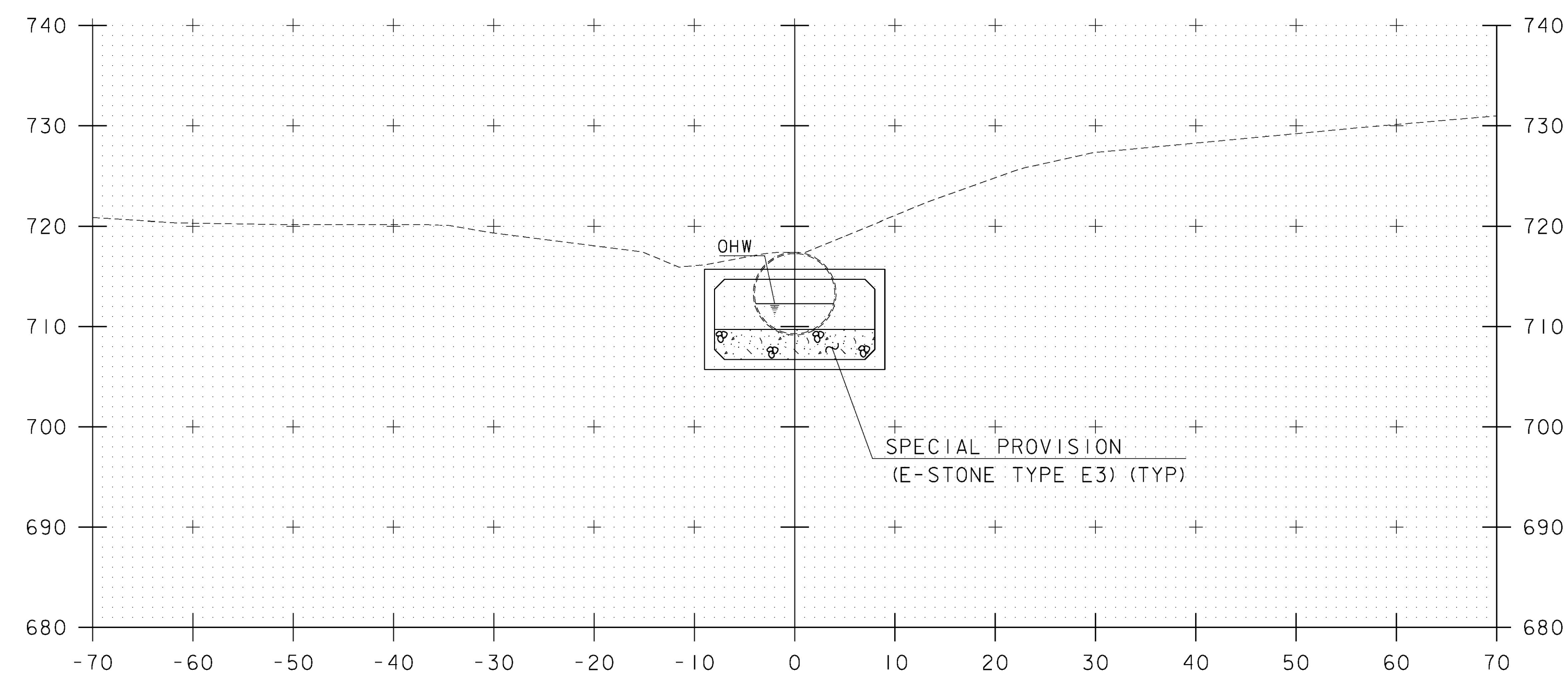


51+25

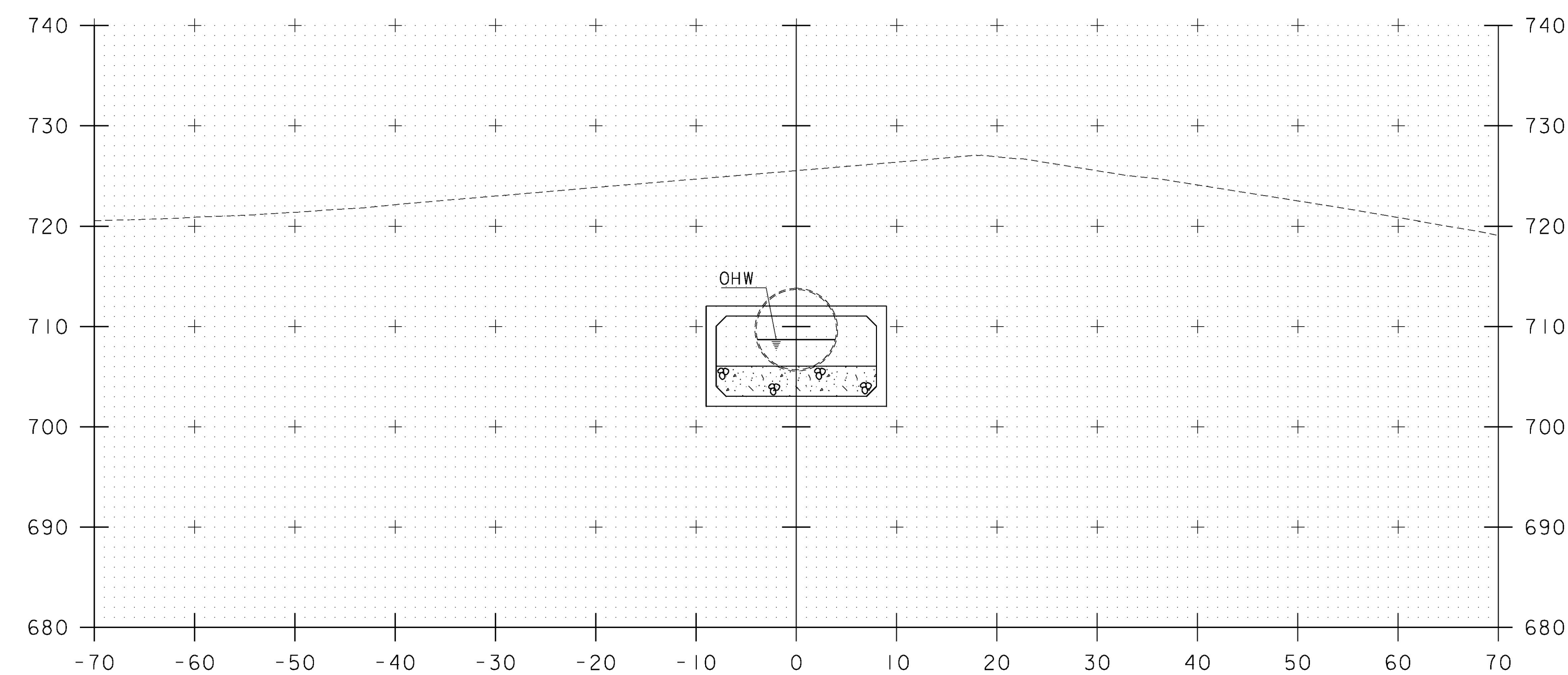


51+75



51+00

STA 50+91.91 BACK STATION
 END UNCLASSIFIED CHANNEL EXCAVATION
 END GEOTEXTILE UNDER STONE FILL
 END STONE FILL, TYPE IV
 END GRUBBING MATERIAL



51+50

STA. 51+00 TO STA. 51+75



PROJECT NAME:	WATERFORD	
PROJECT NUMBER:	BF 0225(5)	
FILE NAME:	z15b051xs.dgn	PLOT DATE: 09/27/2017
PROJECT LEADER:	T. LEVINS	DRAWN BY: B. WILLIAMS
DESIGNED BY:	B. WILLIAMS	CHECKED BY: T. LEVINS
CHANNEL SECTIONS 2		SHEET 54 OF 63