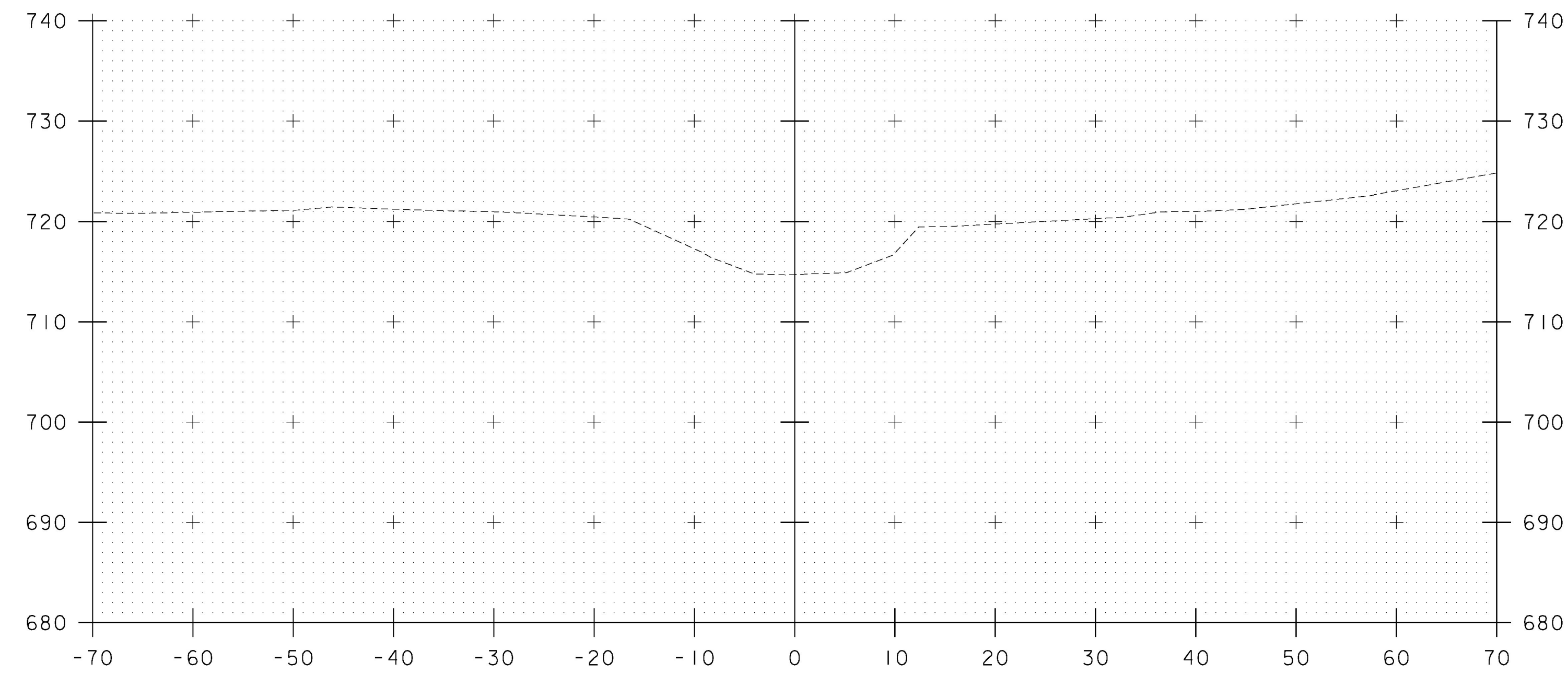
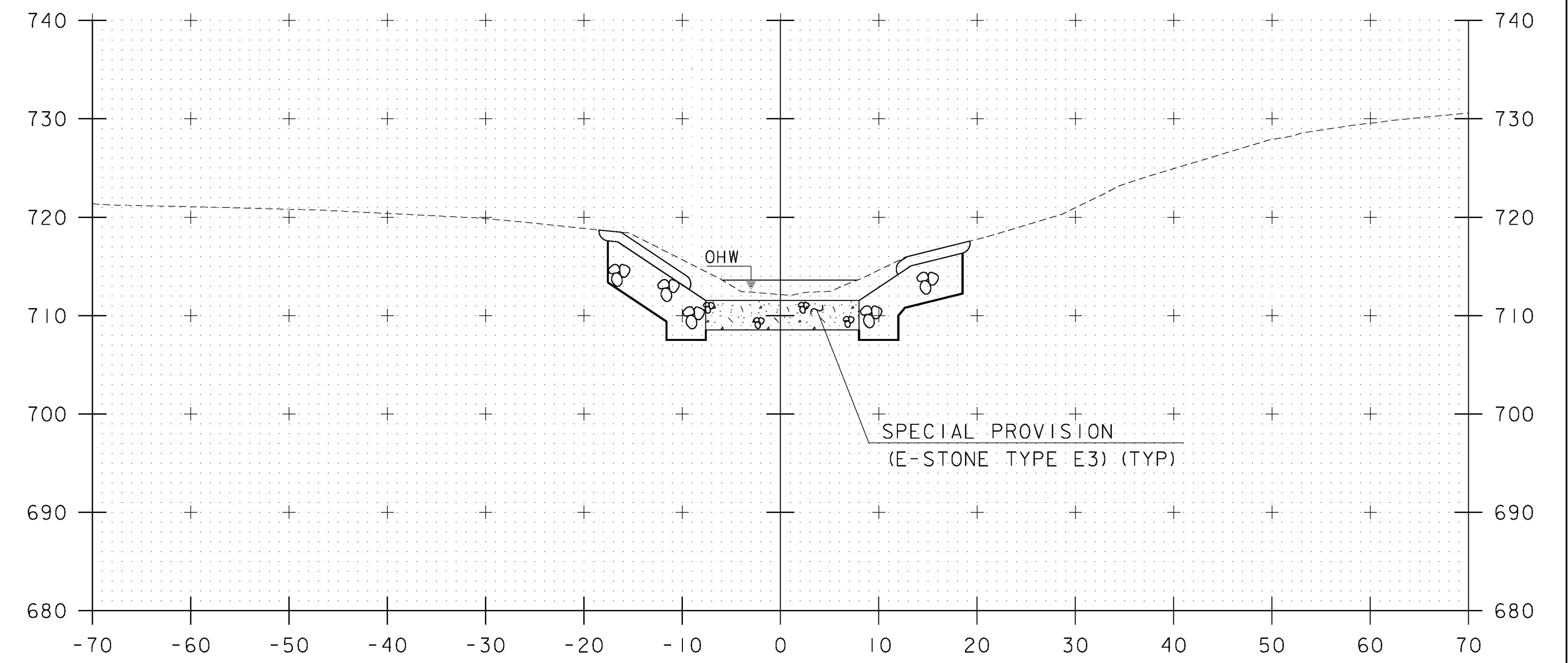


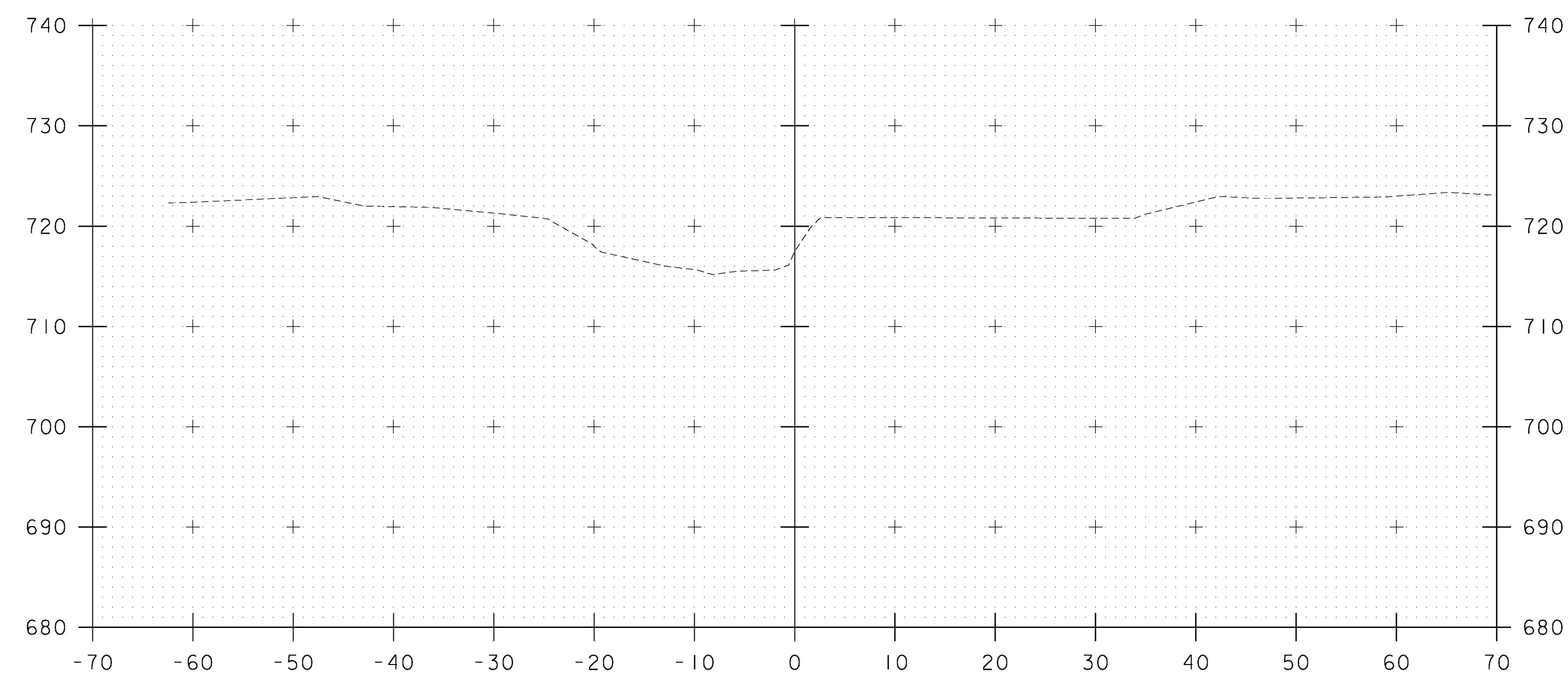
STA 50+57.00 BACK STATION
 BEGIN UNCLASSIFIED CHANNEL EXCAVATION
 BEGIN GEOTEXTILE UNDER STONE FILL
 BEGIN STONE FILL, TYPE IV
 BEGIN SPECIAL PROVISION (E-STONE TYPE E3) (TYP)
 BEGIN GRUBBING MATERIAL



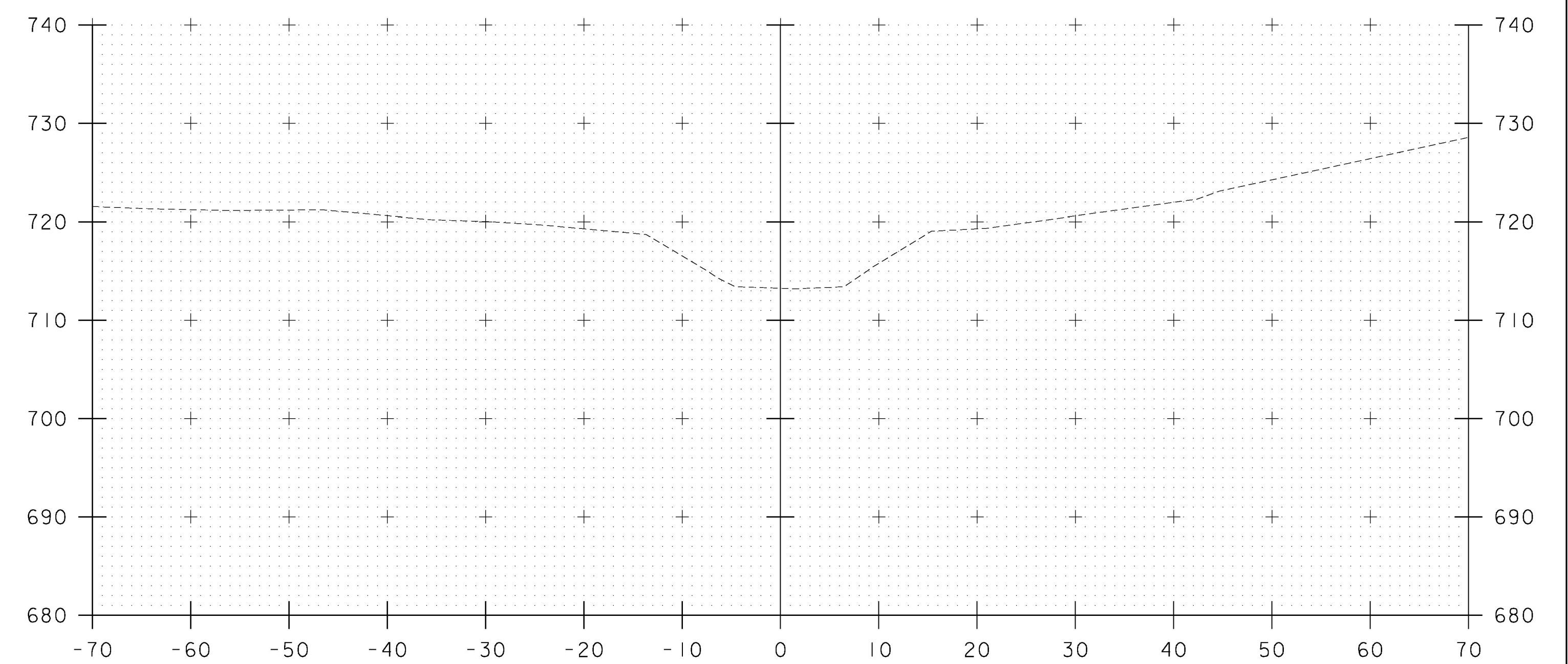
50+25



50+75



50+00



50+50

STA. 50+00 TO STA. 50+75



| | | |
|--------------------|---------------|-----------------------|
| PROJECT NAME: | WATERFORD | |
| PROJECT NUMBER: | BF 0225(5) | |
| FILE NAME: | z15b051xs.dgn | PLOT DATE: 09/27/2017 |
| PROJECT LEADER: | T. LEVINS | DRAWN BY: B. WILLIAMS |
| DESIGNED BY: | B. WILLIAMS | CHECKED BY: T. LEVINS |
| CHANNEL SECTIONS I | | SHEET 53 OF 63 |