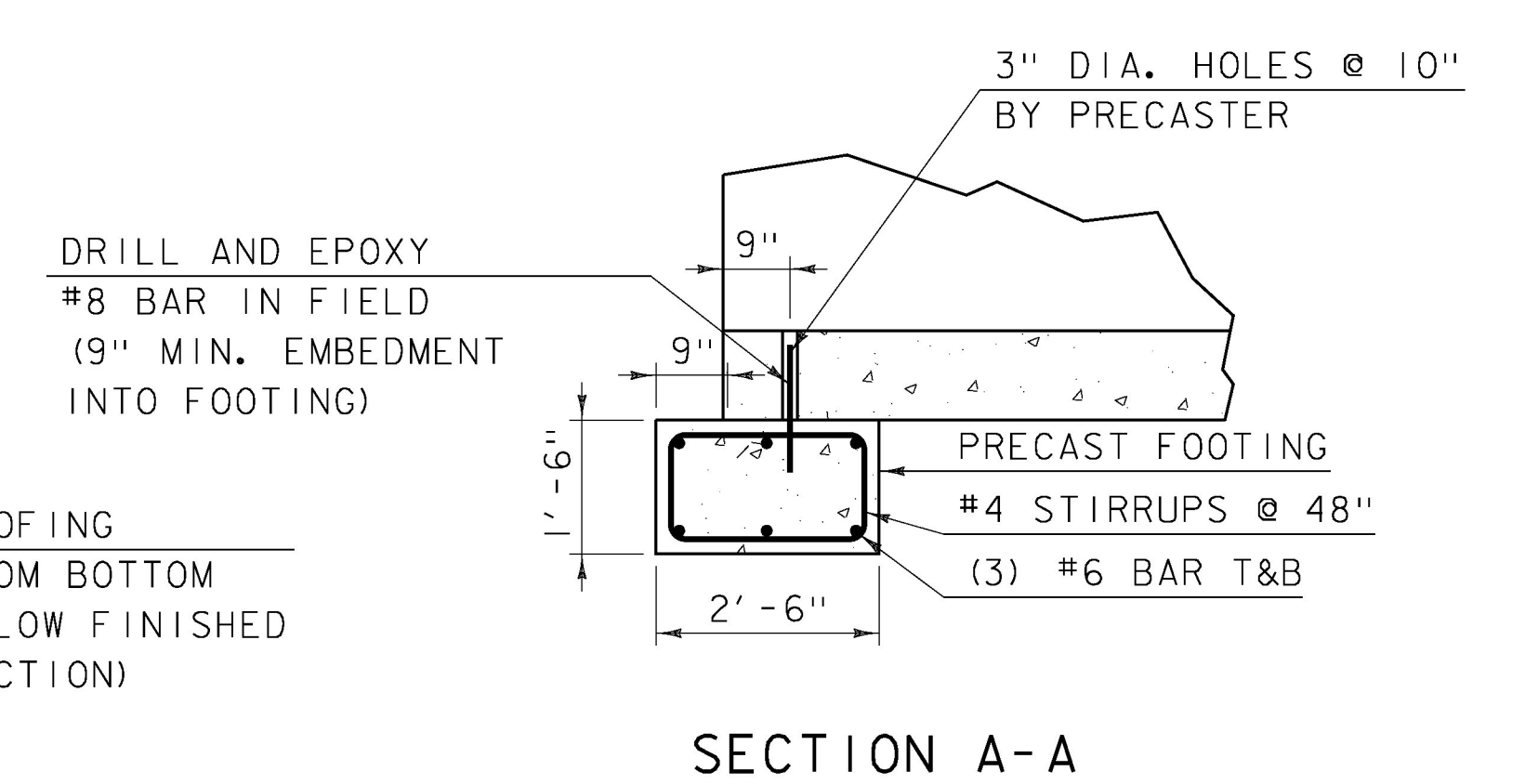
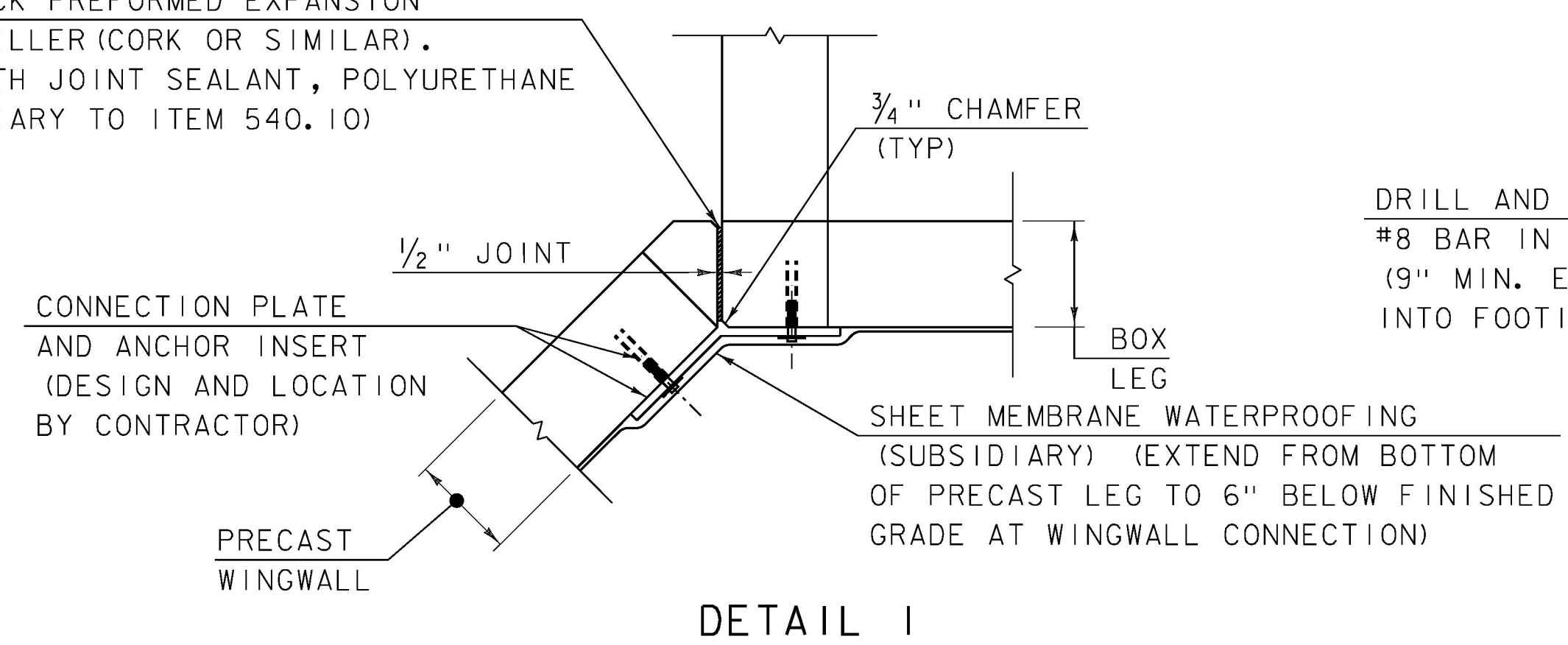


1/2" THICK PREFORMED EXPANSION JOINT FILLER (CORK OR SIMILAR). SEAL WITH JOINT SEALANT, POLYURETHANE (SUBSIDIARY TO ITEM 540.10)



NOTES:

- DIMENSIONS SHOWN ARE BASED ON AN ASSUMED WALL THICKNESS OF 1'-0".
- THE PRECAST BOX SECTIONS ARE SHOWN FOR REFERENCE ONLY. THE ACTUAL DIMENSIONS AND SHAPE WILL BE DEPENDENT ON THE FABRICATOR.

PROJECT NAME:	WATERFORD	FILE NAME:	z15b05ibox.dgn	PLOT DATE:	09/27/2017
PROJECT NUMBER:	BF 0225(5)	PROJECT LEADER:	T. LEVINS	DRAWN BY:	B. WILLIAMS
		DESIGNED BY:	B. WILLIAMS	CHECKED BY:	T. LEVINS
		BOX LAYOUT			SHEET 47 OF 63

