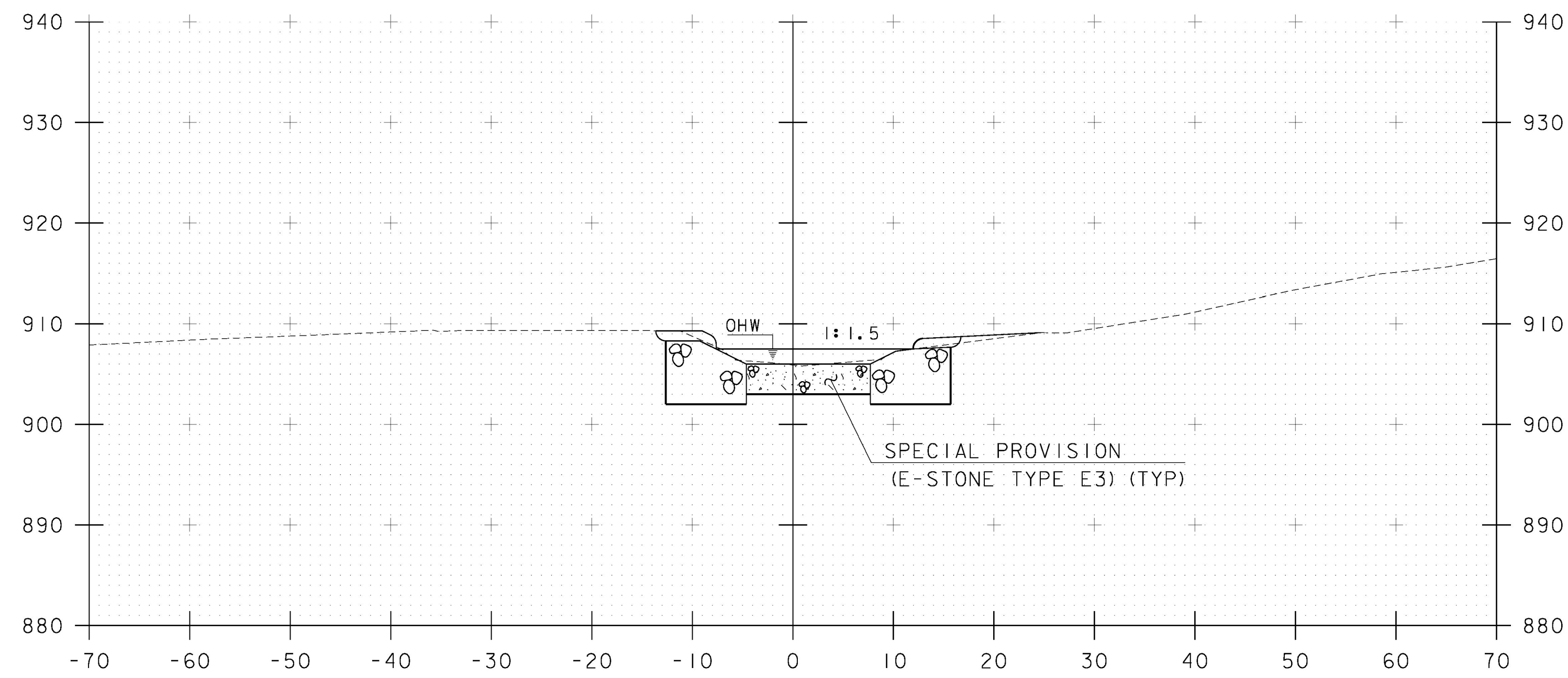
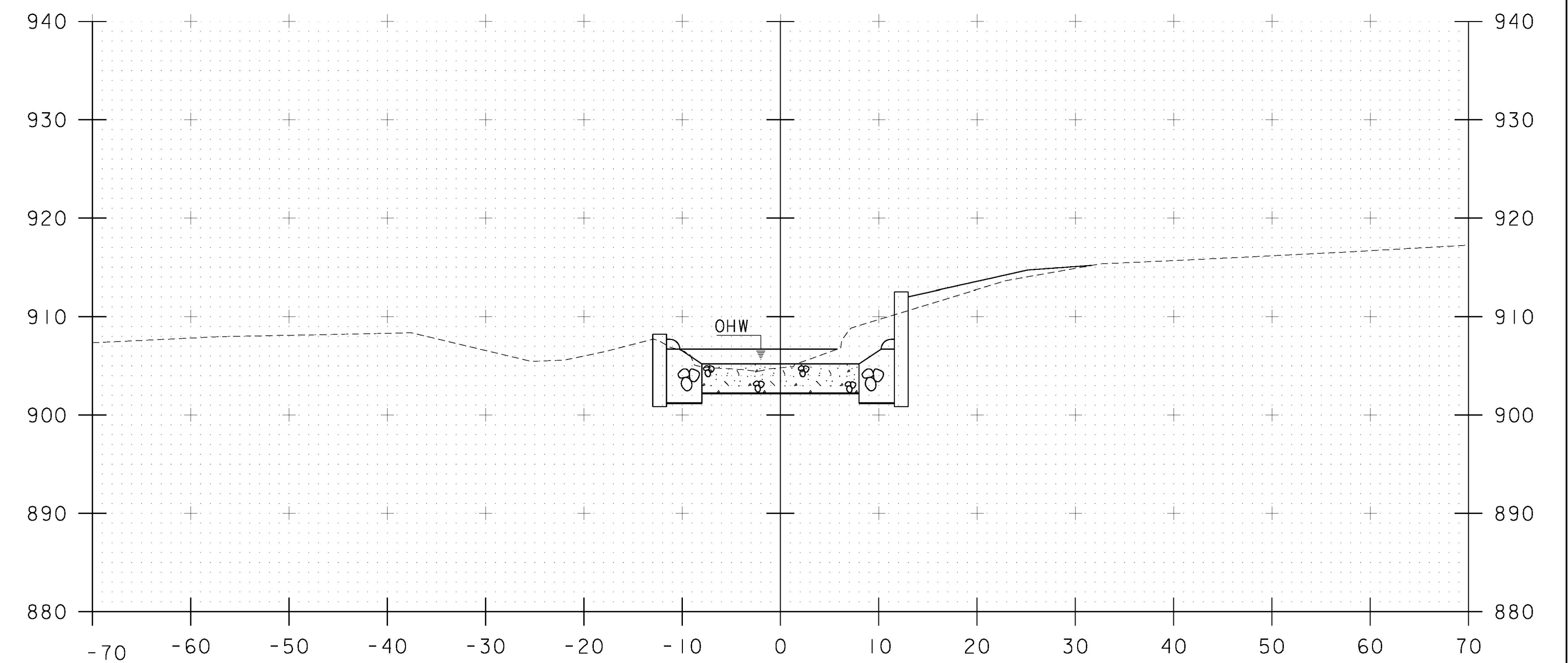


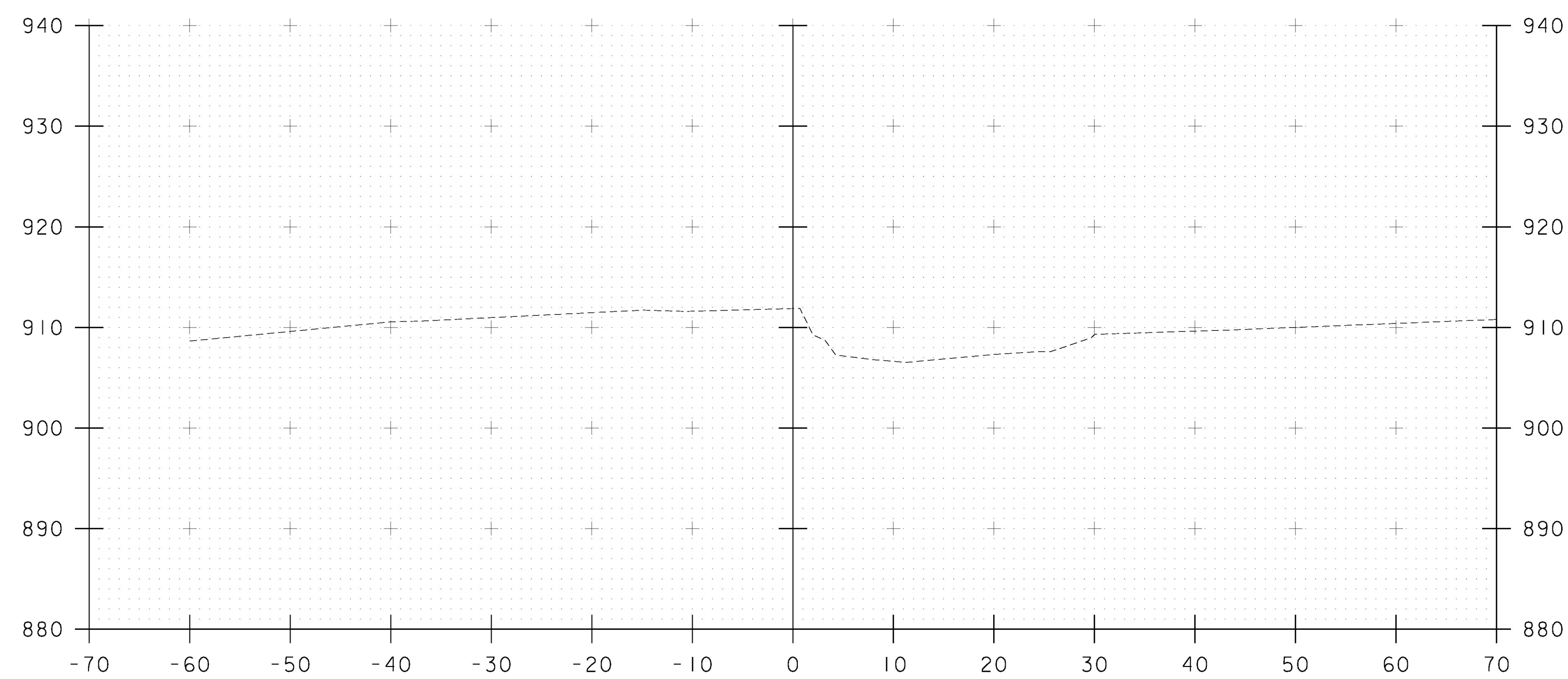
STA 50+50.00  
 BEGIN UNCLASSIFIED CHANNEL EXCAVATION  
 BEGIN GEOTEXTILE UNDER STONE FILL  
 BEGIN STONE FILL, TYPE IV  
 BEGIN SPECIAL PROVISION (E-STONE TYPE E3)  
 BEGIN GRUBBING MATERIAL



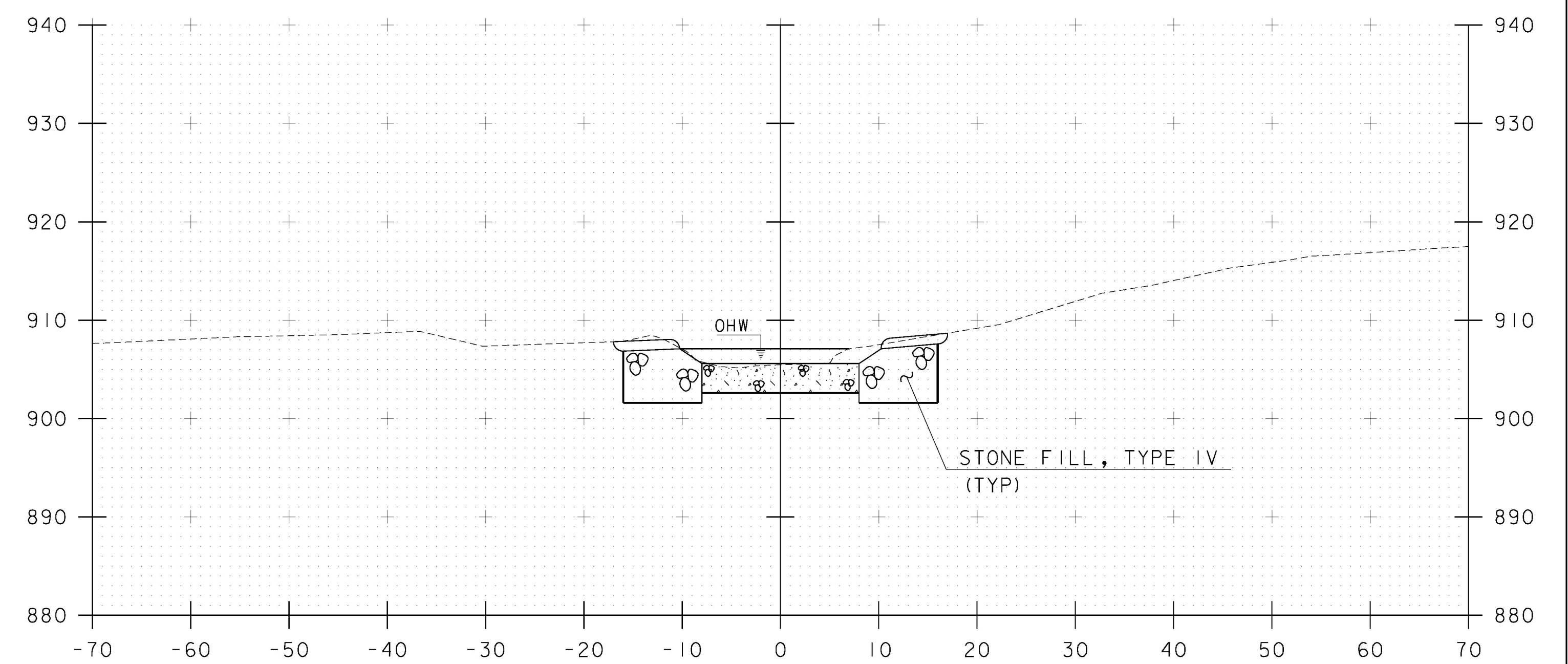
50+50



50+70



50+25



50+60

STA. 50+25 TO STA. 50+70



PROJECT NAME:	WATERFORD	
PROJECT NUMBER:	BF 0225(4)	
FILE NAME:	z13c268xs.dgn	PLOT DATE: 09/27/2017
PROJECT LEADER:	T. LEVINS	DRAWN BY: A. KURDEKAR
DESIGNED BY:	A. KURDEKAR	CHECKED BY: T. LEVINS
CHANNEL SECTIONS I		SHEET 25 OF 63