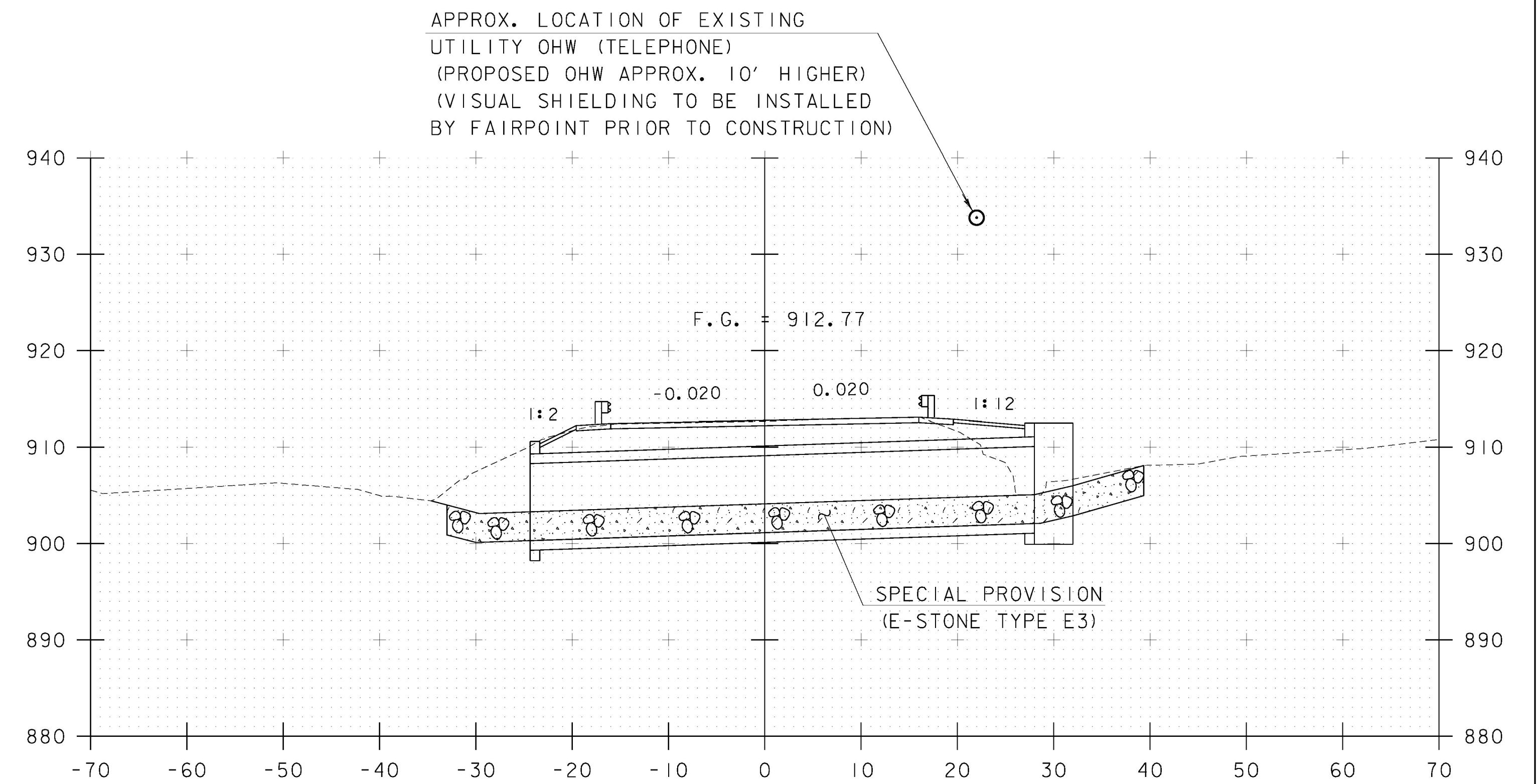
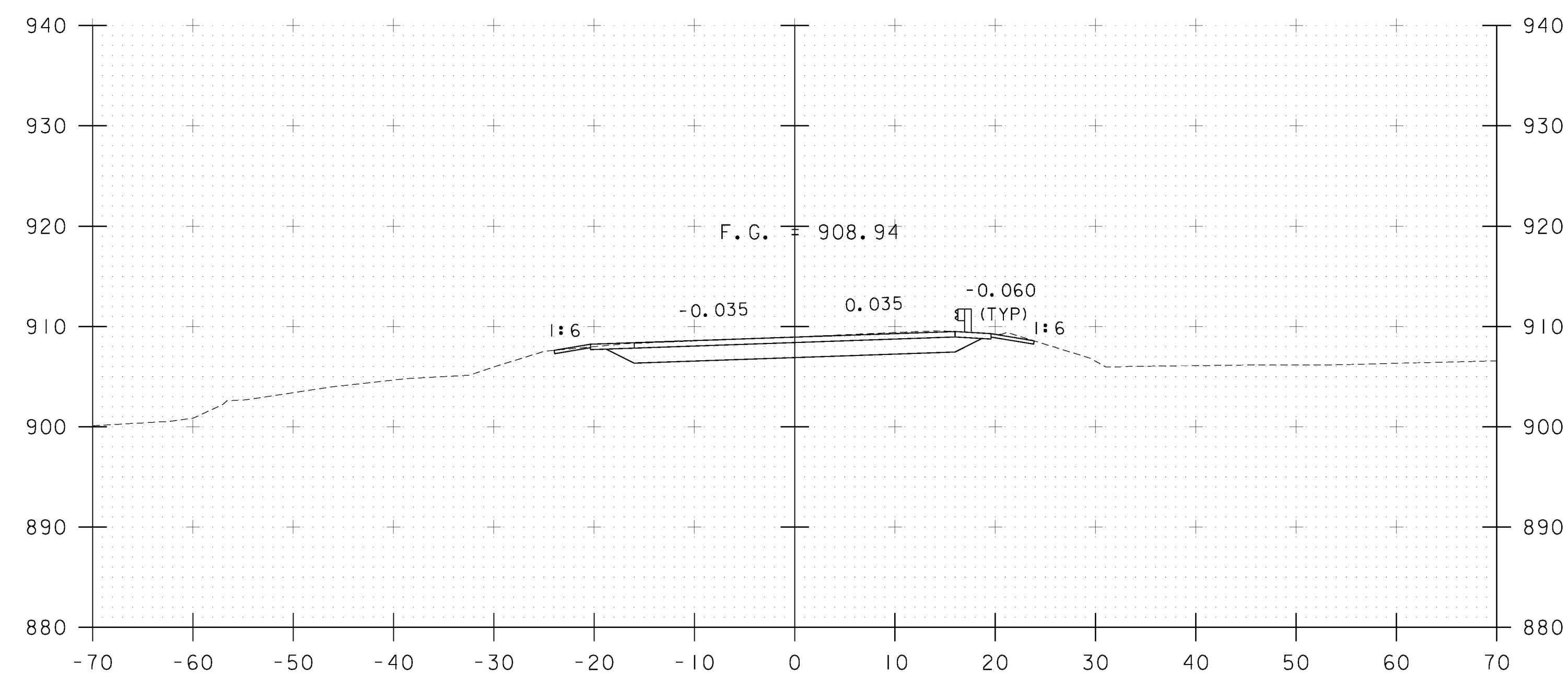


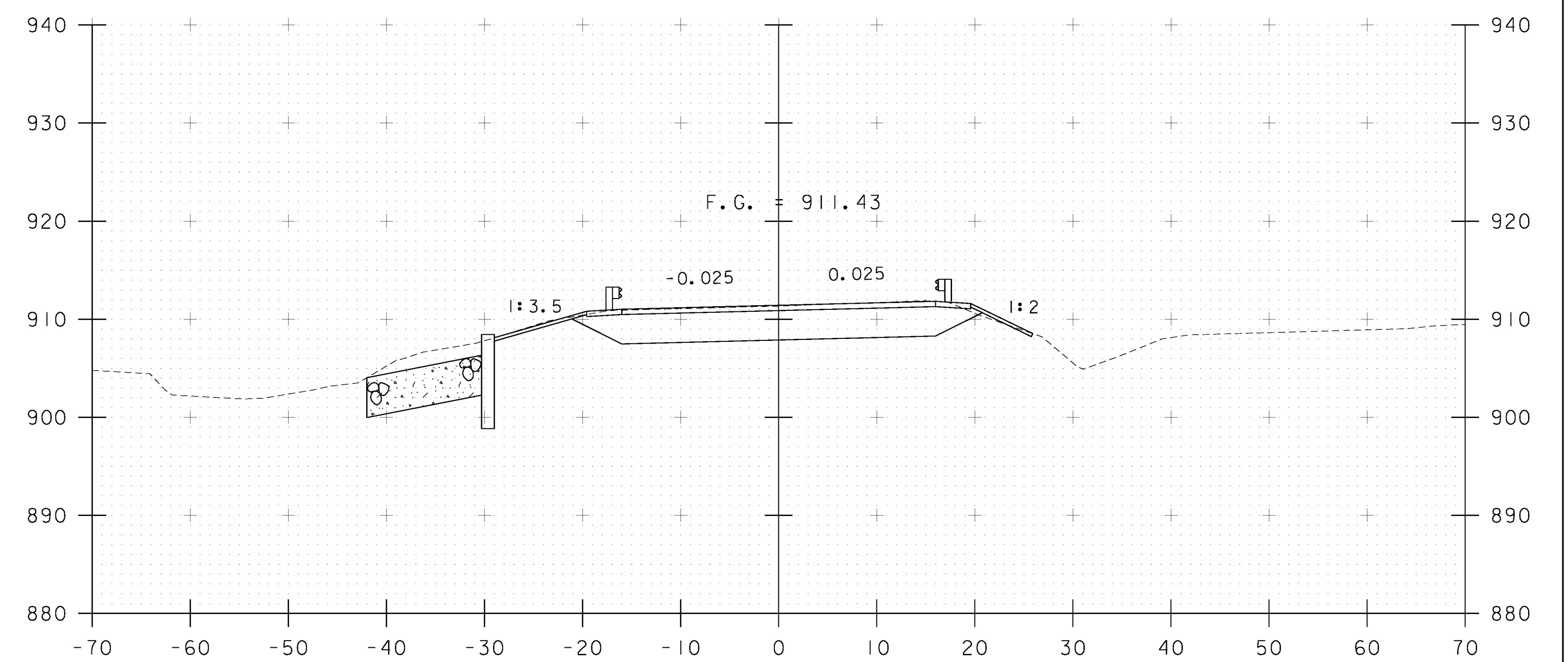
106+00



106+50



105+75



BEGIN BRIDGE @ 106+40.42
106+25

STA. 105+75 TO STA. 106+50



PROJECT NAME:	WATERFORD	
PROJECT NUMBER:	BF 0225(4)	
FILE NAME:	z13c268xs.dgn	PLOT DATE: 09/27/2017
PROJECT LEADER:	T. LEVINS	DRAWN BY: A. KURDEKAR
DESIGNED BY:	J. MERCER	CHECKED BY: T. LEVINS
MAINLINE SECTIONS 2		SHEET 22 OF 63