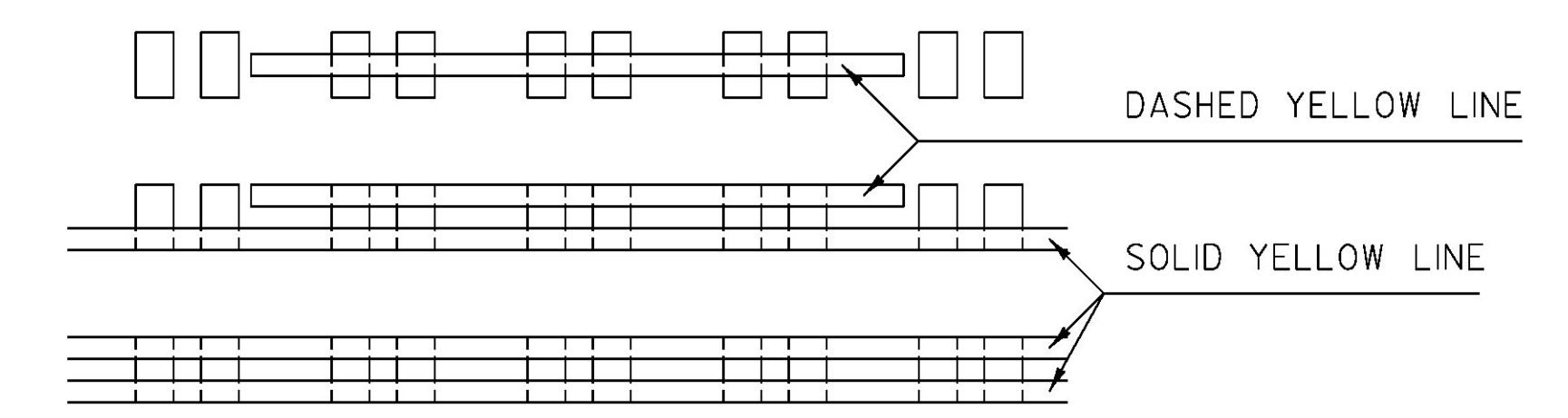


**RUMBLE STRIP LAYOUT DETAIL**

**NOTE:**

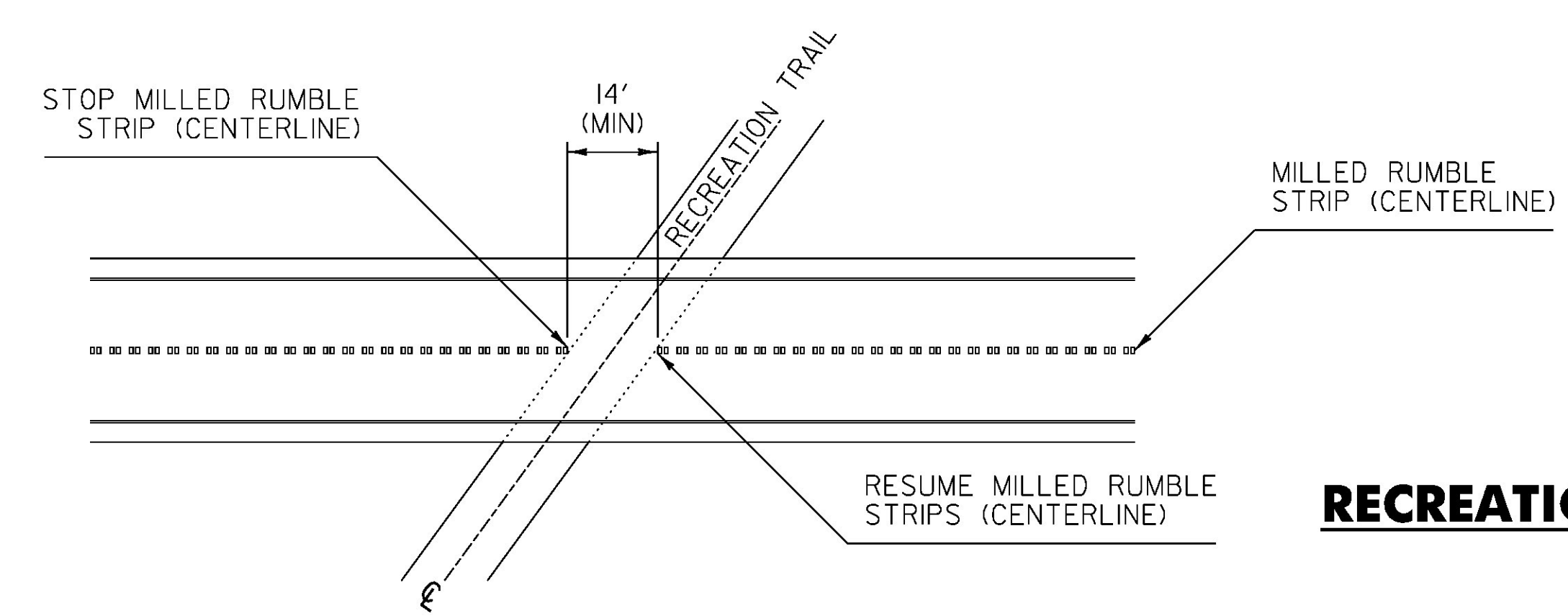
- 1. RUMBLE STRIPS (CENTERLINE) SHALL BE CENTERED ALONG THE CENTERLINE OF THE ROADWAY AND INSTALLED AT THE INTERVALS AS DETAILED.



**PAVEMENT MARKING LAYOUT DETAIL**

**NOTES:**

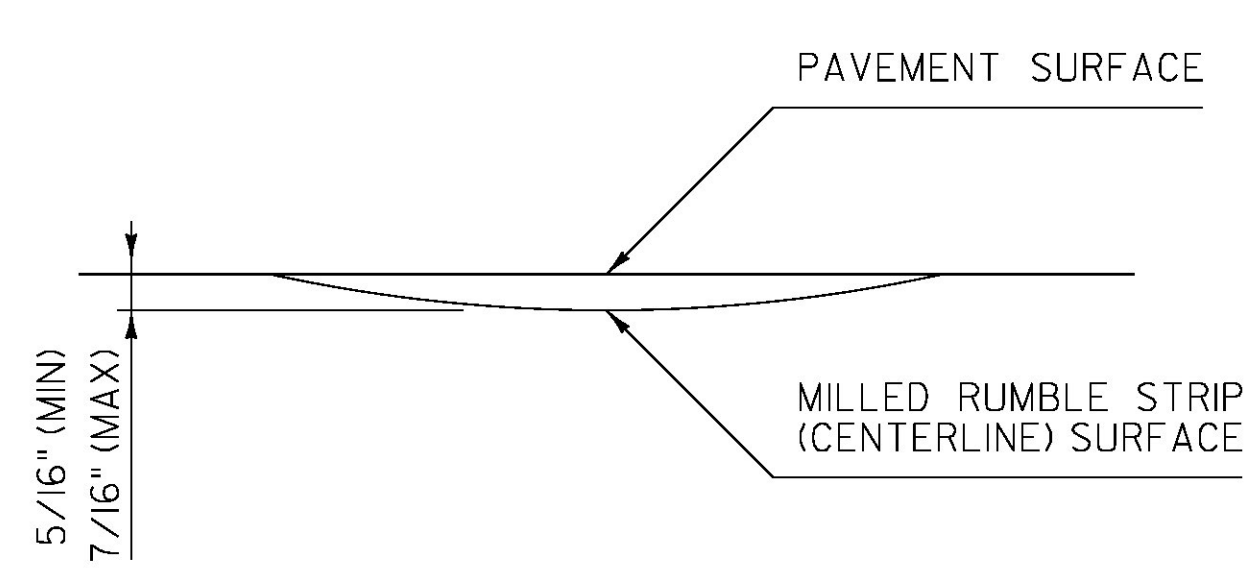
- 1. MILLED RUMBLE STRIPS (CENTERLINE) SHALL BE INSTALLED PRIOR TO FINAL CENTERLINE PAVEMENT MARKINGS.
- 2. ALL FINAL CENTERLINE PAVEMENT MARKINGS SHALL BE CENTERED ON THE MILLED RUMBLE STRIPS (CENTERLINE).
- 3. UNLESS OTHERWISE SPECIFIED IN THE PLANS, CENTERLINE PAVEMENT MARKINGS SHALL BE POLYUREA.



**RECREATION TRAIL CROSSING DETAIL**

**NOTE:**

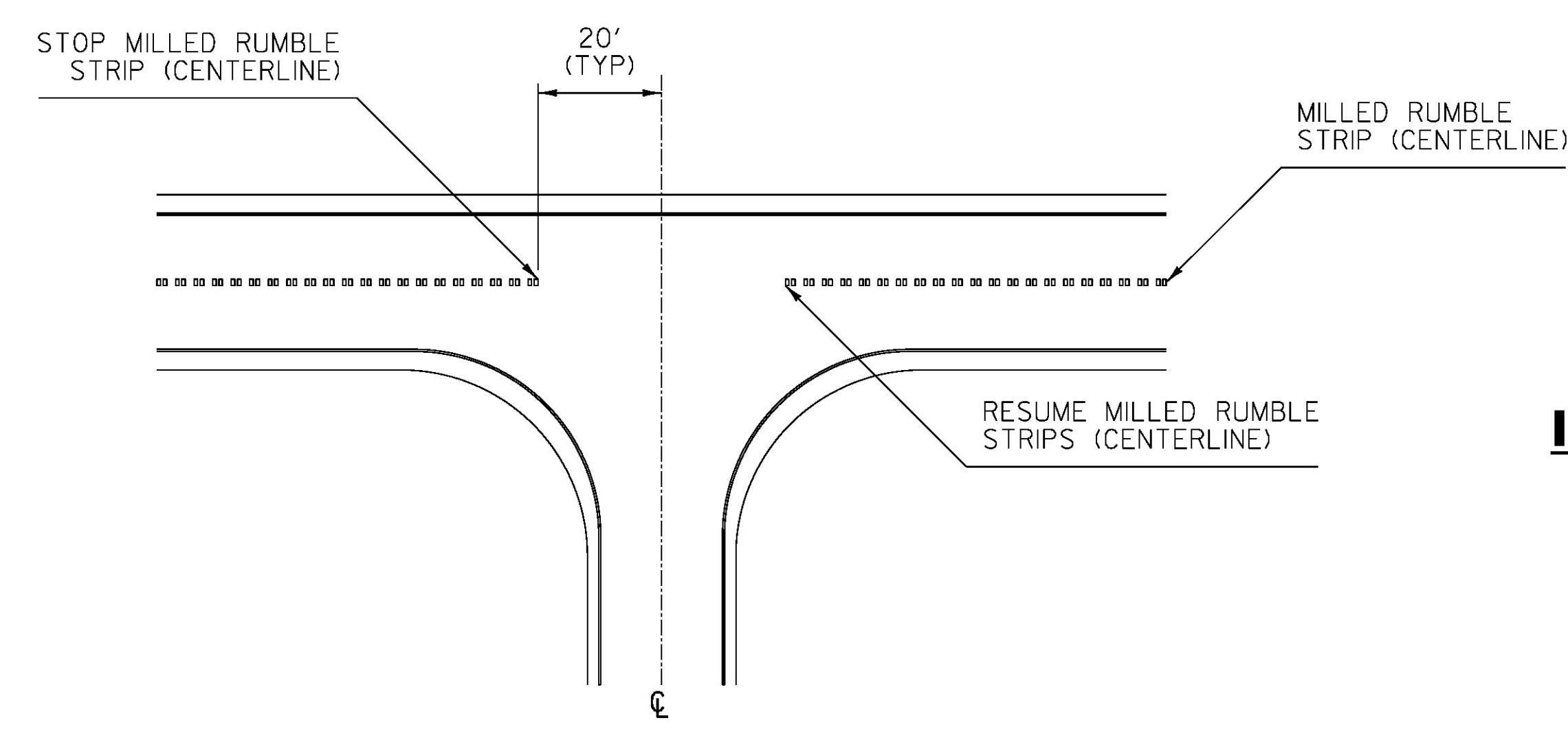
- 1. WIDTH OF GAP FOR RAIL TRAILS WILL VARY DEPENDENT ON THE SKEW OF THE TRAIL, WITH A 14 FOOT MINIMUM GAP.



**RUMBLE STRIP DETAIL**

**NOTES:**

- 1. DIMENSION "A" SHALL BE 12 INCHES WHEN FOUR INCH CENTERLINE PAVEMENT MARKINGS ARE TO BE INSTALLED AND 18 INCHES WHEN SIX INCH CENTERLINE PAVEMENT MARKINGS ARE TO BE INSTALLED.
- 2. WHEN MILLED RUMBLE STRIP (CENTERLINE) IS SPECIFIED TO BE SEALED WITH SPECIAL PROVISION (FOG SEAL SURFACE TREATMENT) IT SHALL BE SEALED WITH TWO APPLICATIONS.



**INTERSECTION DETAIL**

**NOTE:**

- 1. MILLED RUMBLE STRIPS (CENTERLINE) SHALL STOP 20 FEET PRIOR TO ALL INTERSECTIONS, IN BOTH DIRECTIONS OF TRAVEL.

REV.	DATE	DESCRIPTION
0	NOV. 3, 2015	ORIGINAL APPROVAL
OTHER DETAILS REQUIRED: NONE		
DETAILS APPROVED FOR USE BY HIGHWAY SAFETY & DESIGN		

**MILLED RUMBLE STRIP (CENTERLINE) DETAILS**



**HIGHWAY SAFETY & DESIGN DETAIL**  
**HSD-213.02**