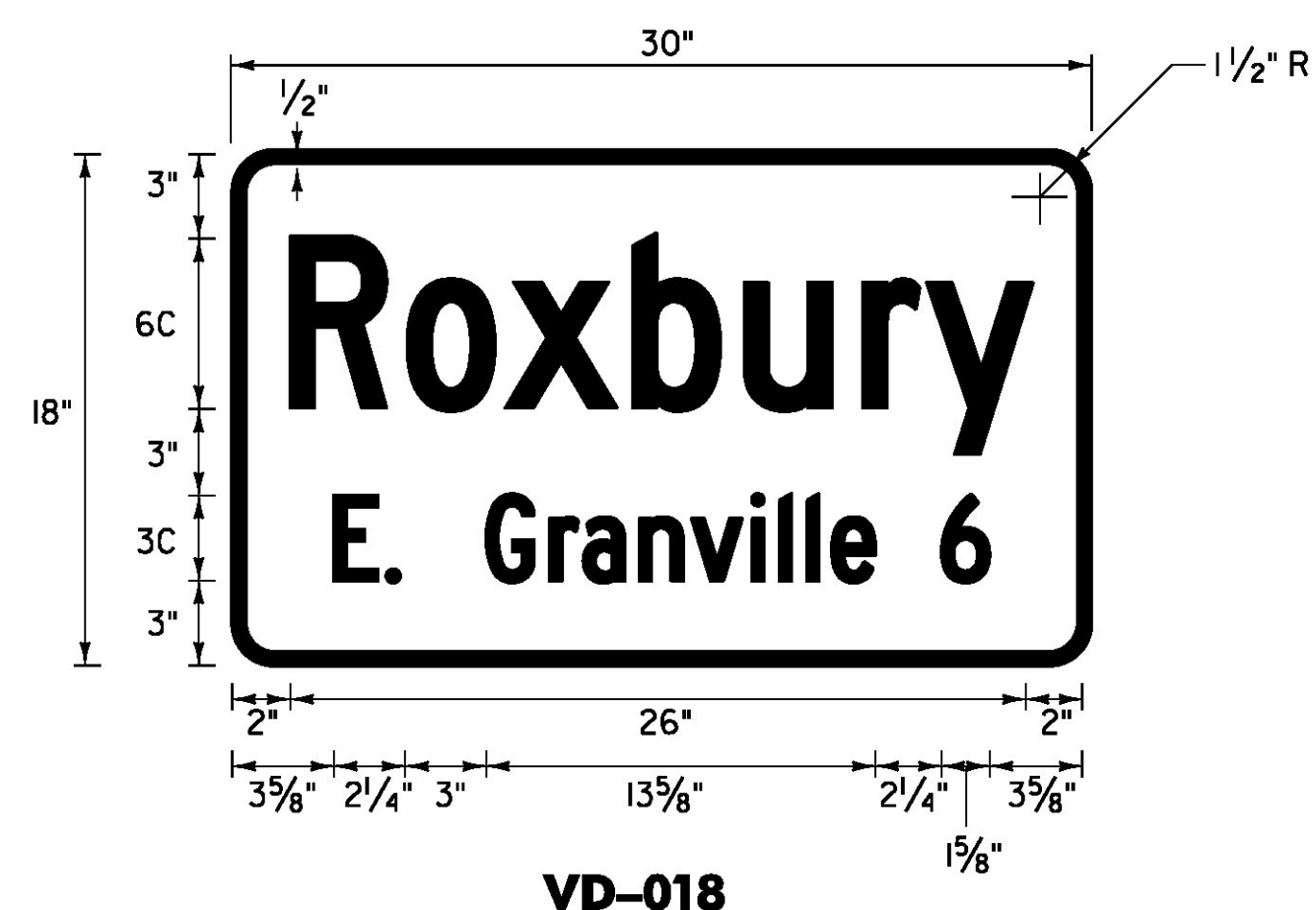
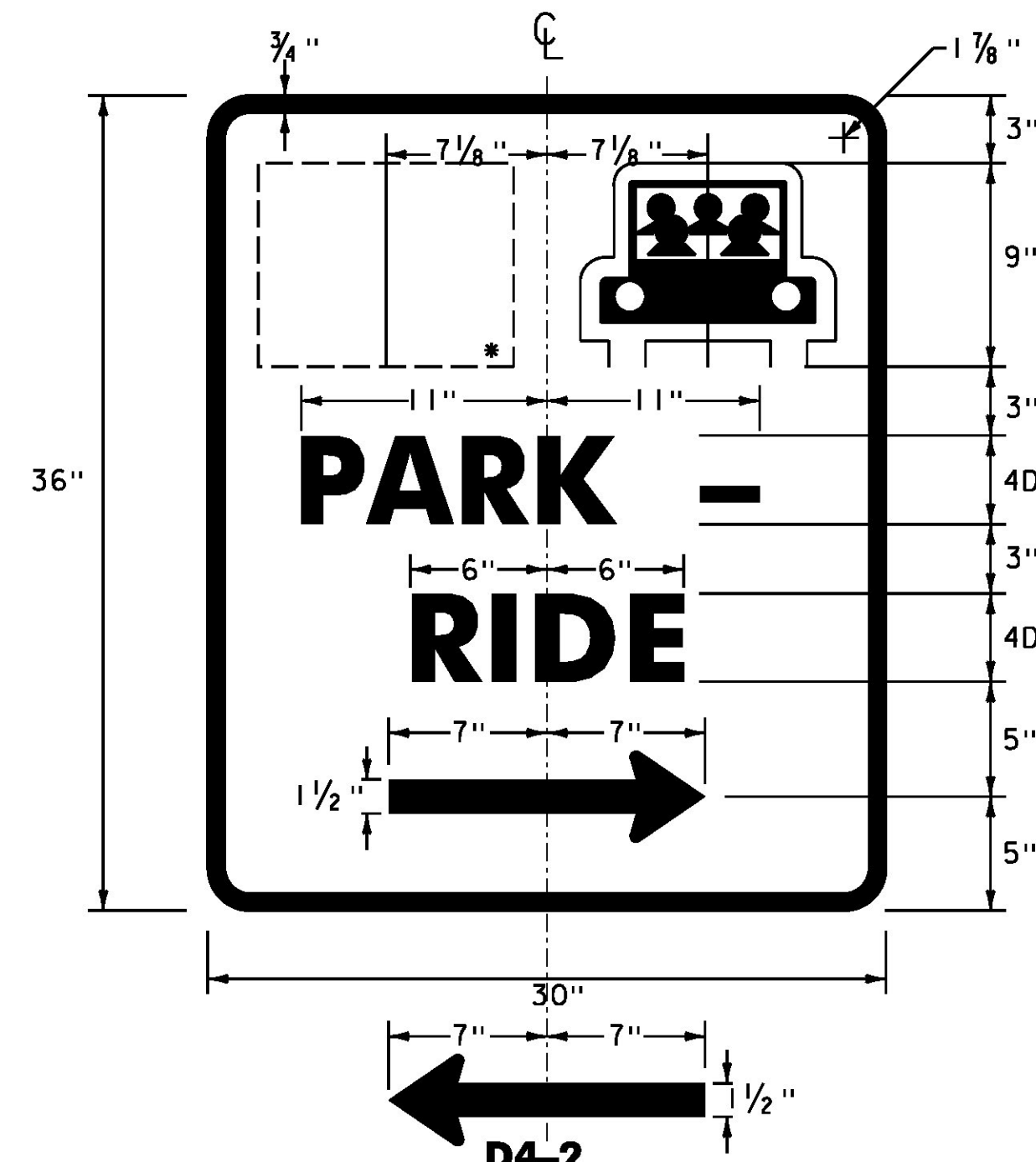


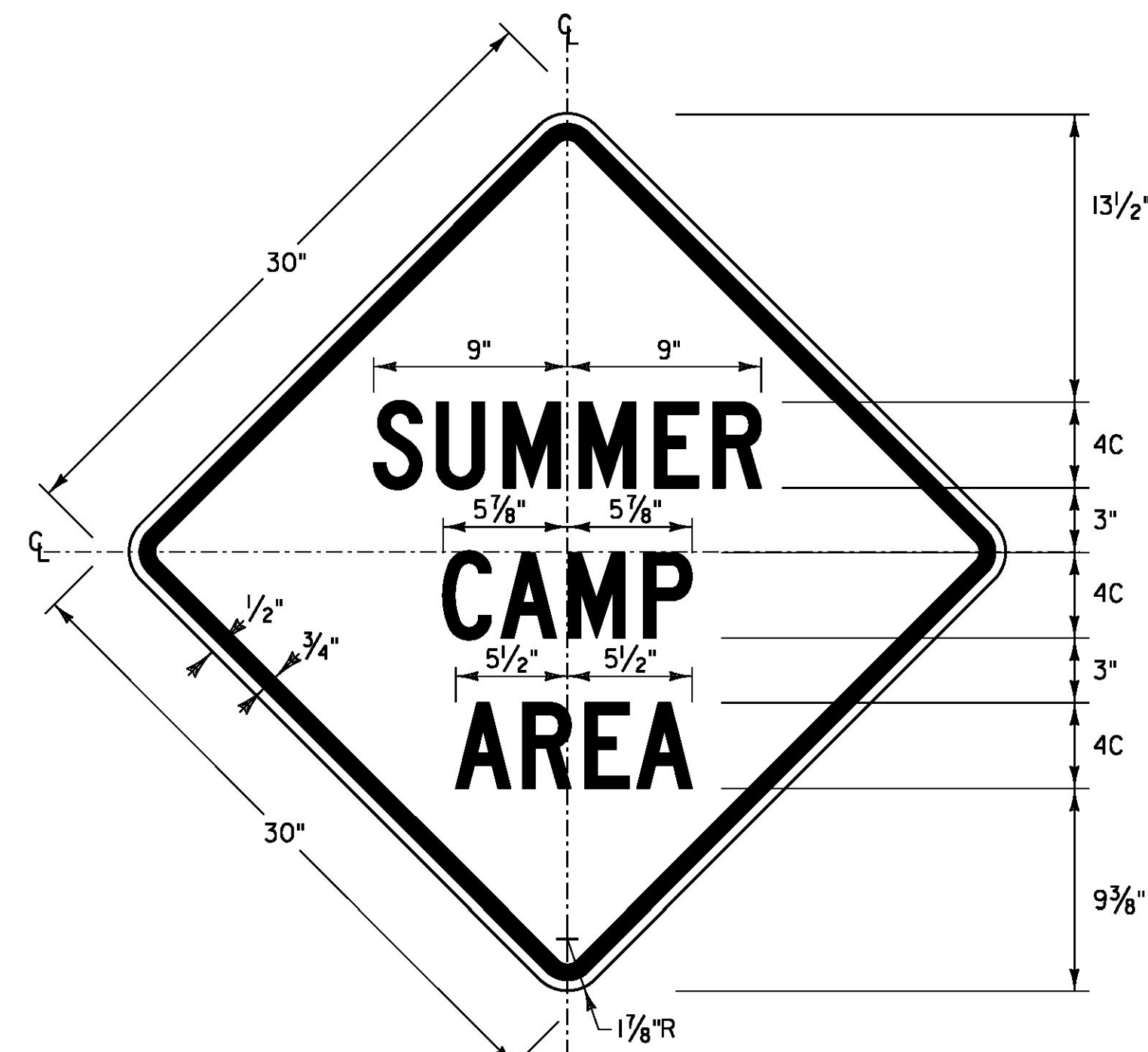
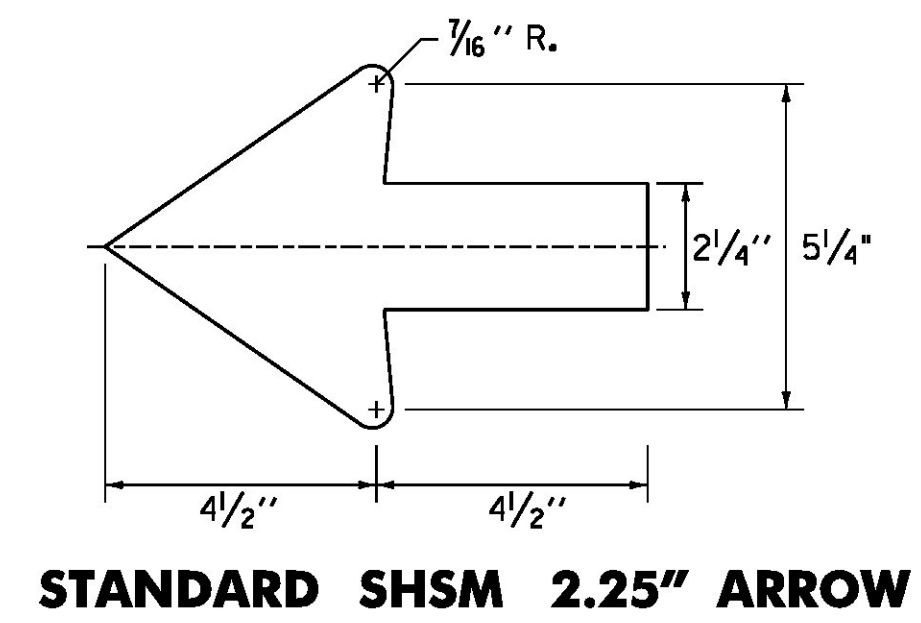
**VD-018**  
 LOCATION: ROXBURY  
 STA. 227+02, RT  
 COLOR: WHITE BORDER AND TEXT (RETROREFLECTIVE)  
 GREEN BACKGROUND (RETROREFLECTIVE)  
 MATERIAL: SEE NOTE 6 ON THIS SHEET



**VD-018**  
 LOCATION: ROXBURY  
 STA. 269+34, LT  
 COLOR: WHITE BORDER AND TEXT (RETROREFLECTIVE)  
 GREEN BACKGROUND (RETROREFLECTIVE)  
 MATERIAL: SEE NOTE 6 ON THIS SHEET



**D4-2**  
 LOCATION: ROXBURY  
 STA. 246+82, RT  
 STA. 249+43, LT  
 COLOR: WHITE (REFL.) LEGEND, ARROW & BORDER  
 WHITE & GREEN SYMBOL  
 GREEN (REFL.) BACKGROUND  
 NOTE: \*AREA DESIGNATED FOR TRANSIT PICTOGRAPH  
 THE TRANSIT PICTOGRAPH WILL BE PROVIDED TO  
 THE CONTRACTOR BY THE TRANSIT COMPANY  
 ASSOCIATED WITH THE CORRESPONDING PARK AND  
 RIDE IN JPEG FORMAT.



LOCATION: ROXBURY  
 STA. 254+85, RT  
 STA. 278+00, LT  
 COLOR: BLACK BORDER & SYMBOL  
 WITH YELLOW (RETROREFLECTIVE) BACKGROUND  
 MATERIAL: SEE NOTE 6 ON THIS SHEET

NOTE: SEE TRAFFIC SIGN NOTES ON SHEETS 162-188.

PROJECT NAME: ROXBURY-NORTHFIELD	FILE NAME: z13ci84typ.dgn	PLOT DATE: 5/25/2016
PROJECT NUMBER: ER STP 0187(13)	PROJECT LEADER: M. FOISY	DRAWN BY: G. BARRETT
	DESIGNED BY: G. BURGMEIER	CHECKED BY: G. EDWARDS
	<b>TRAFFIC SIGN DETAIL SHEET 3</b>	SHEET 191 OF 476

