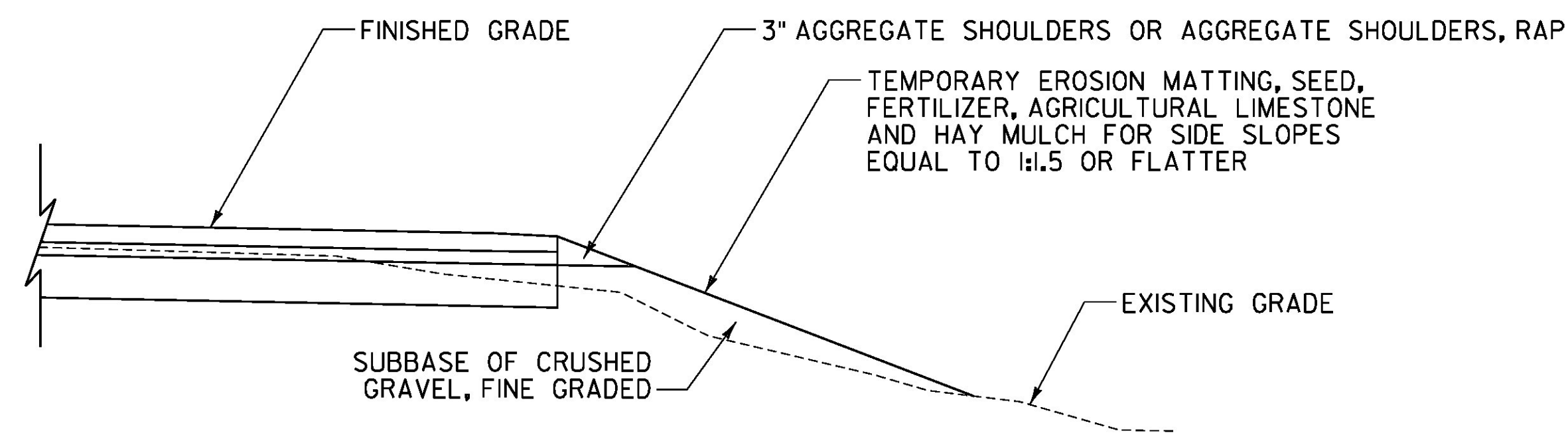
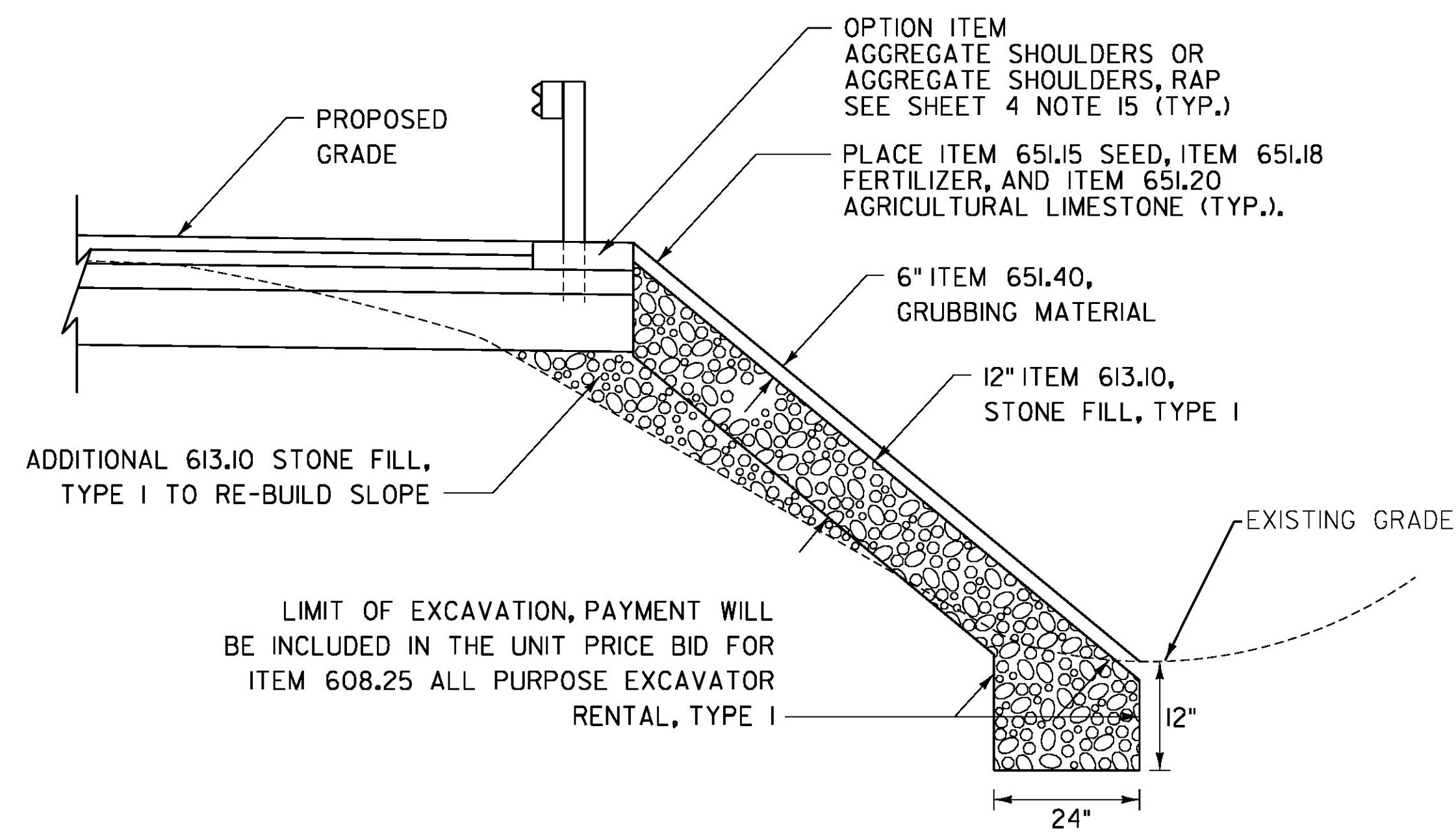


**EXISTING SHOULDER RECONSTRUCTION DETAIL**

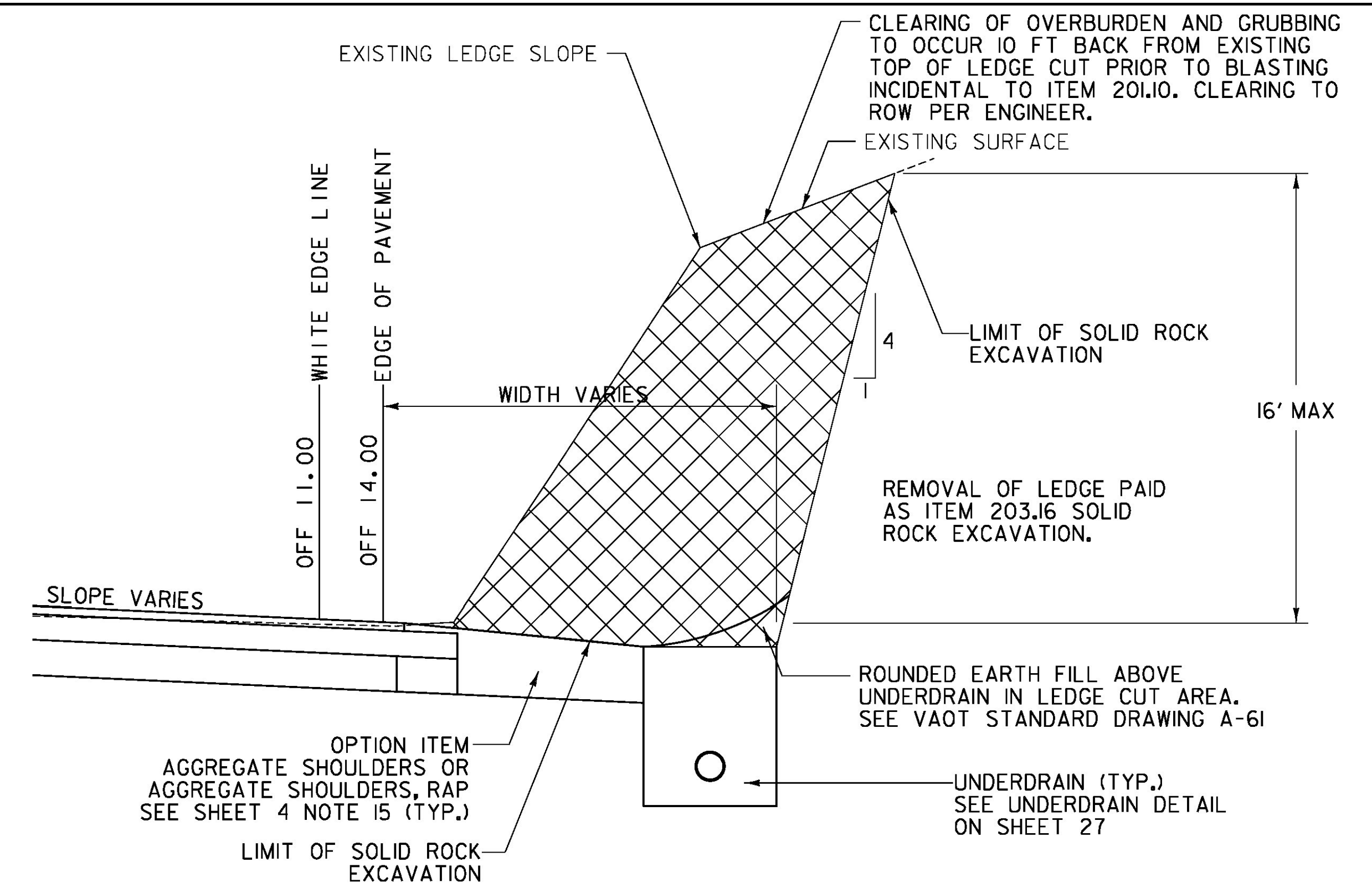


**FILL SLOPE DETAIL**  
(FOR SLOPES 1:1.5 OR FLATTER)

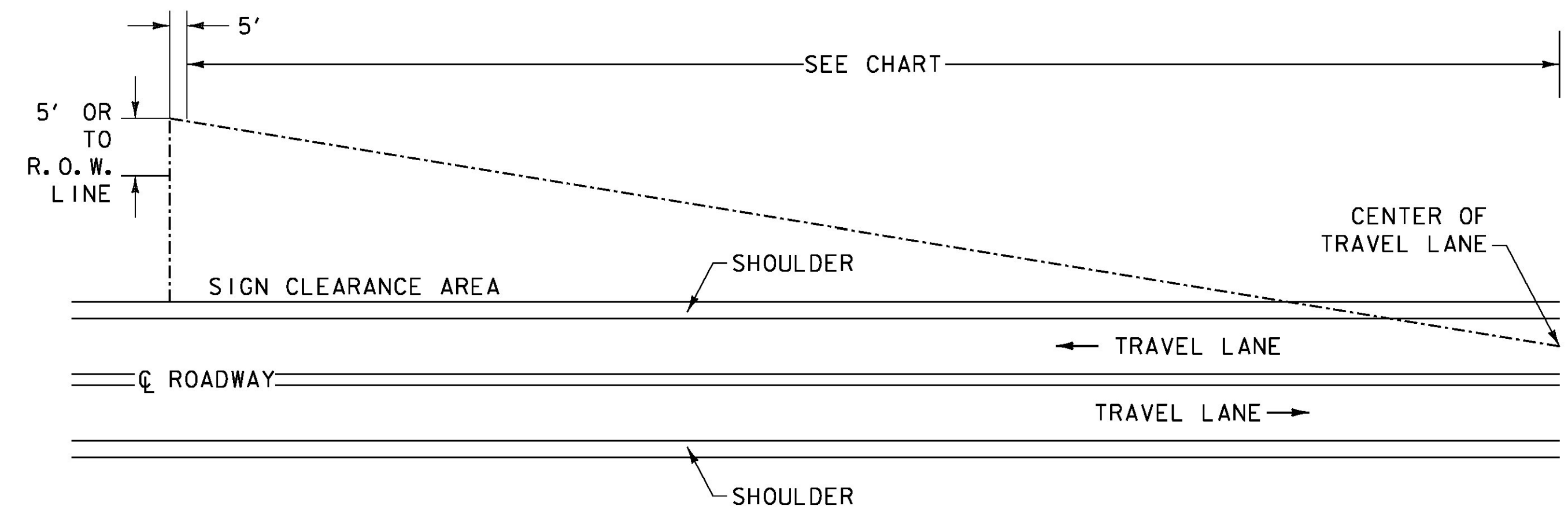


**FILL SLOPE WITH STONE FILL DETAIL**

- NOTES:  
 1. STONE FILL TO BE PLACED ON SLOPES 1:1.5 AND STEEPER  
 2. SEE LAYOUT SHEETS AND ITEM DETAIL SUMMARY FOR LOCATIONS



**DETAIL FOR SOLID ROCK REMOVAL**  
 SEE CROSS SECTIONS FOR LOCATIONS AND CROSS SLOPES  
 NORTHFIELD STA. 51+40 TO 52+10, LT  
 NORTHFIELD STA. 149+80 TO 150+40, RT  
 NORTHFIELD STA. 200+60 TO 201+20, RT



ITEM 201.10 CLEARING AND GRUBBING INCLUDING INDIVIDUAL TREES AND STUMPS HAS BEEN INCLUDED TO REMOVE ANY VEGETATION, PARTIAL AND FULL TREE REMOVAL, THINNING AND TRIMMING FOR SIGNS, AND ANY ASSOCIATED GRUBBING WITHIN THE THREE ROD R.O.W. OR GREATER IF NECESSARY WHEN R.O.W. HAS BEEN CONFIRMED BEYOND THE ASSUMED THREE RODS. THE ENGINEER MAY EXCLUDE REMOVAL IN SOME AREAS WHERE DEEMED NECESSARY AND APPROPRIATE OR NECESSITATED BY PERMIT REQUIREMENTS PER THE REGIONAL CONSTRUCTION ENVIRONMENTAL ENGINEERS RECOMMENDATIONS.

**CLEARING LIMITS FOR SIGNS ON CONVENTIONAL ROADS**

MINIMUM SIGN SIGHT DISTANCE CHART

APPROACH SPEED (mph)	SIGHT DISTANCE (feet)
30 OR LESS	300
35	350
40	400
45	450
50	500
55	550

NOT TO SCALE

PROJECT NAME: ROXBURY-NORTHFIELD  
 PROJECT NUMBER: ER STP 0187(13)

FILE NAME: z13c184typ.dgn  
 PROJECT LEADER: M. FOISY  
 DESIGNED BY: G. BURGMEIER  
 PLOT DATE: 6/13/2016  
 DRAWN BY: G. BARRETT  
 CHECKED BY: G. EDWARDS  
**DETAIL SHEET 3**  
 SHEET 9 OF 476

