

UNDERDRAIN FLUSHING BASIN  
STA. 18+30, LT

STEEL BEAM GUARDRAIL, GALVANIZED  
STA. 19+07.5 TO 19+32.5, RT

STEEL BEAM GUARDRAIL, GALVANIZED W/ 8 FEET POSTS  
STA. 19+32.5 TO 24+00.0, RT

ANCHOR FOR STEEL BEAM RAIL  
STA. 19+07.5, RT

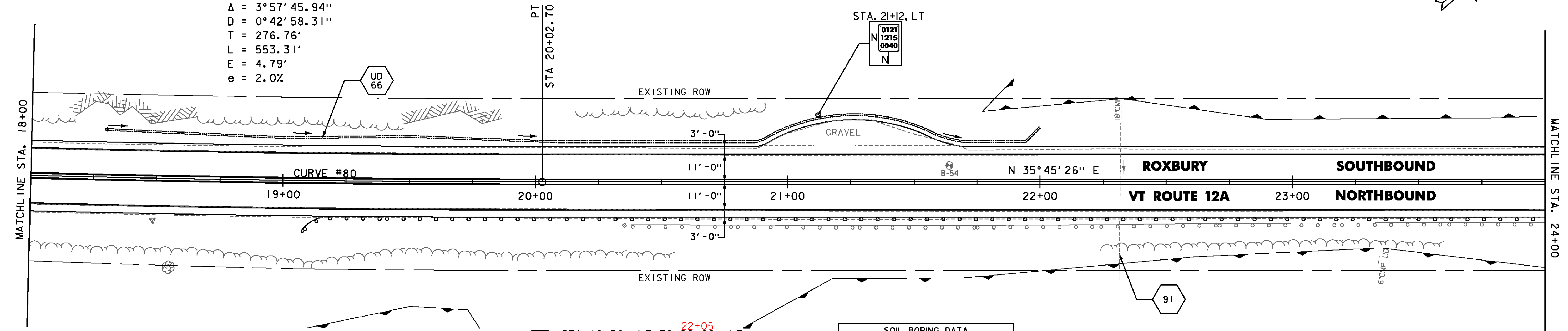
REMOVAL AND DISPOSAL OF GUARDRAIL  
STA. 20+38 TO 24+00 RT

DURABLE 4 INCH WHITE LINE, THERMOPLASTIC  
DURABLE 4 INCH WHITE LINE, POLYUREA  
TEMPORARY 4 INCH WHITE LINE, PAINT  
STA. 18+00 TO 24+00, SOLID LT & RT

DURABLE 4 INCH YELLOW LINE, THERMOPLASTIC  
DURABLE 4 INCH YELLOW LINE, POLYUREA  
TEMPORARY 4 INCH YELLOW LINE, PAINT  
STA. 18+00 TO 24+00, SOLID LT & RT

BARRIER FENCE  
STA. 18+00 TO 24+00, RT  
STA. 20+77 TO 24+00, LT  
EROSION LOG  
STA. 18+69 TO 24+00, RT  
STA. 21+57 TO 24+00, LT

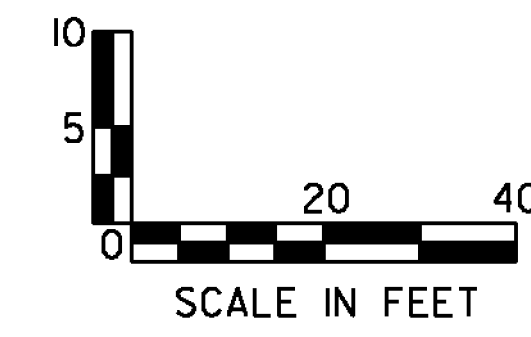
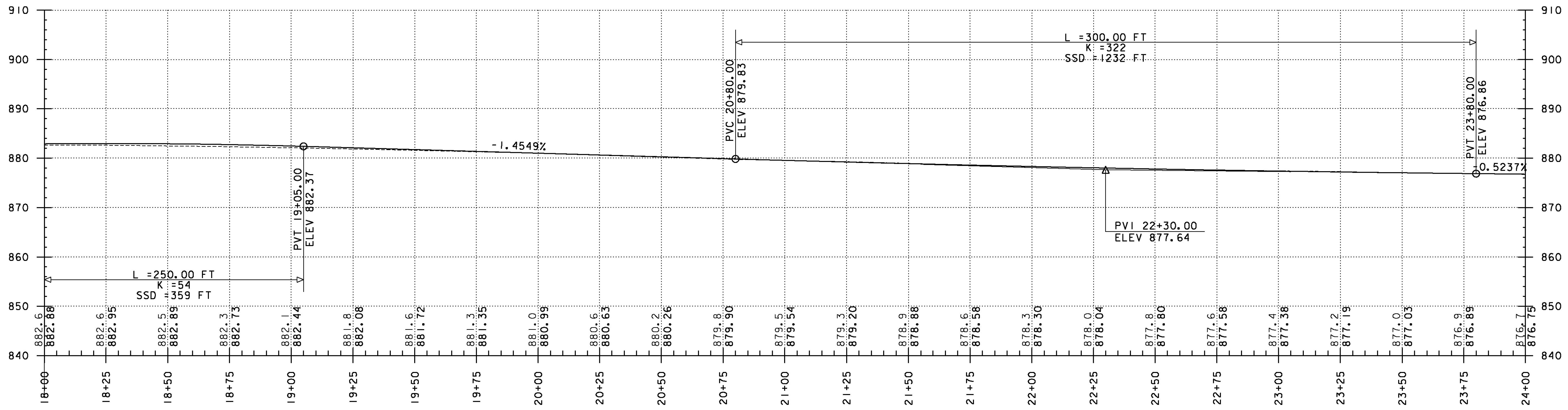
CURVE 80 DATA  
R = 8000.00'  
 $\Delta = 3^\circ 57' 45.94''$   
D =  $0^\circ 42' 58.31''$   
T = 276.76'  
L = 553.31'  
E = 4.79'  
e = 2.0%



UD 66 STA 18+30, LT TO 22+05, LT  
CONSTRUCT 6 INCH UNDERDRAIN PIPE,  
SEE SHEETS 8 & 9 FOR DETAIL AND  
ASSOCIATED QUANTITIES.

SOIL BORING DATA		
BORING#	DEPTH (FT.)	PCC COMMENTS
B-54	5.0'	NO

NOTE:  
1. REFER TO SHEET 27 OF 545  
FOR CULVERT INFORMATION.



PROJECT NAME: RANDOLPH-ROXBURY  
PROJECT NUMBER: ER STP 0187(II)  
FILE NAME: z13cl82bdr.dgn  
PROJECT LEADER: M. FOISY  
DESIGNED BY: I. MAYNARD  
PLOT DATE: 11/17/2014  
DRAWN BY: G. BURGMEIER  
CHECKED BY: M. FOISY  
**PLAN & PROFILE SHEET 106**  
SHEET 147 OF 545

