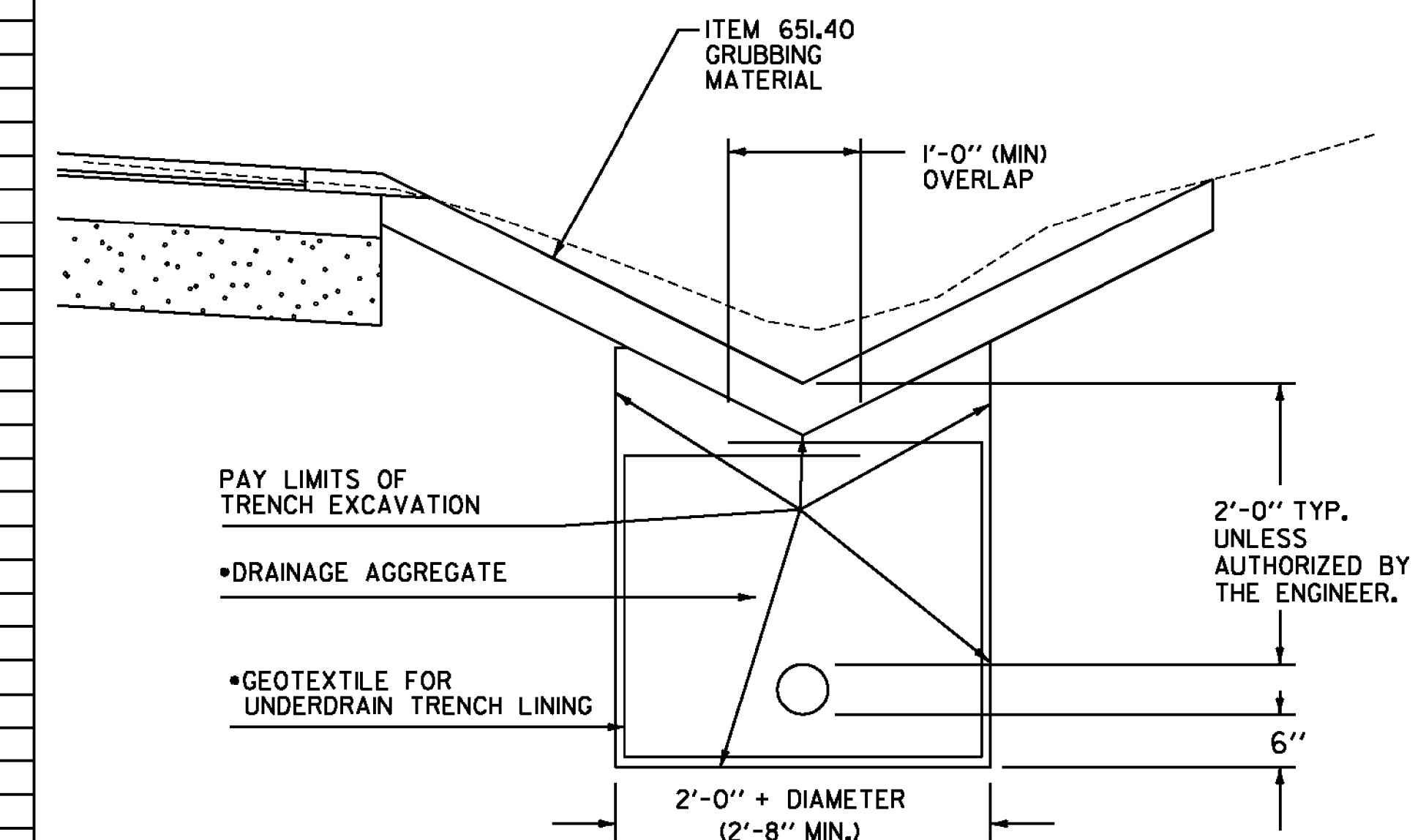


LOCATION					UNDERDRAIN						MISC. ITEMS		REMARKS
PIPE NO.	OUTLET INVERT	BEGIN STA.	END STA.	POS.	204.20	204.21	605.10	605.20	605.95	619.17	*	*	
					TRENCH EXCAVATION OF EARTH CY	TRENCH EXCAVATION OF ROCK CY	6 INCH UNDERDRAIN PIPE LF	6 INCH UNDERDRAIN CARRIER PIPE LF	UNDERDRAIN FLUSHING BASIN EA	YIELDING MARKER POSTS EA	DRAINAGE AGGREGATE CY	GEOTEXTILE FABRIC SY	
VT ROUTE 12A													
RANDOLPH													
UD-1	674.2	24+25	26+06	RT	39	13	173	5	1	2	50	211	INSTALL FLUSHING BASIN STA. 24+25
UD-2	673.0	27+55	28+13	RT	13	4	56	5	1	2	16	68	INSTALL FLUSHING BASIN STA. 27+55 ELIMINATED
UD-3	665.7	28+34 28+25	32+03	RT	82	27	374	5	2	3	108	457	INSTALL FLUSHING BASINS STA. 28+25 & 31+25
UD-4	665.7	32+08 33+83 34+31	33+75	RT	37	12	167	5	1	2	48	204	INSTALL FLUSHING BASIN STA. 33+75
UD-5	668.0	33+90 33+90	39+00	RT	112	37	510	5	2	3	148	623	INSTALL FLUSHING BASINS STA. 36+00 & 39+00
UD-6	692.4	54+66 54+50	60+30	RT	125	42	570	7	2	3	165	697	INSTALL FLUSHING BASINS STA. 54+50 & 57+50
BRAINTREE													
UD-7	686.9	11+75 11+60	14+00	RT	49	16	218	7	1	2	63	266	INSTALL FLUSHING BASIN STA. 11+75
UD-8	687.7	12+25	13+50	LT	28	9	123	6	1	2	36	150	INSTALL FLUSHING BASIN STA. 12+25
UD-9	684.8	23+50	27+00	RT	77	26	341	13	2	3	99	417	INSTALL FLUSHING BASINS STA. 24+00 & 27+00
UD-10	705.6	29+31 29+00	32+25	RT	69	23	312	8	1	2	90	381	INSTALL FLUSHING BASIN STA. 32+25
UD-11	729.2	40+85	43+00	RT	47	16	211	5	1	2	61	258	INSTALL FLUSHING BASIN STA. 43+00
UD-12	726.0	44+50	45+84	RT	30	10	125	11	1	2	36	153	INSTALL FLUSHING BASIN STA. 44+50
UD-13	728.2	49+50	52+40	RT	63	21	283	7	1	2	82	346	INSTALL FLUSHING BASIN STA. 52+40
UD-14	728.4	52+50	54+85 54+50	RT	45	15	200	7	1	2	58	244	INSTALL FLUSHING BASIN STA. 52+50
UD-15	745.4	69+06 69+50	73+10	RT	78	26	354	6	1	2	102	433	INSTALL FLUSHING BASIN STA. 73+10
UD-16	719.6	73+30	83+66	RT	223	74	1020	8	3	4	295	1247	INSTALL FLUSHING BASINS STA. 73+30 & 79+30 & 82+30
UD-17	748.5	108+43	110+90	RT	54	18	245	5	1	2	71	299	INSTALL FLUSHING BASIN STA. 108+43
UD-18	747.3	121+00	125+75	RT	102	34	461	8	2	3	133	563	INSTALL FLUSHING BASINS STA. 121+00 & 124+00
UD-19	751.3	145+25	146+89	RT	36	12	150	16	1	2	43	183	INSTALL FLUSHING BASIN STA. 145+25
UD-20	N/A	171+50	177+04 178+30	RT	149	50	685	0	3	4	198	837	INSTALL FLUSHING BASINS STA. 171+50 & 174+25 & 177+25
UD-21	767.1	218+63	223+00	LT	95	32	425	15	2	3	123	519	INSTALL FLUSHING BASINS STA. 219+82 & 223+00
UD-22	790.4	276+50	278+25	LT	39	13	170	10	1	2	49	208	INSTALL FLUSHING BASIN STA. 278+25
UD-23	795.7	303+75	305+43	LT	37	12	164	7	1	2	47	200	INSTALL FLUSHING BASIN STA. 303+75
UD-24	794.7	306+00	309+14	LT	69	23	309	7	1	2	89	378	INSTALL FLUSHING BASIN STA. 306+00
UD-25	794.7	309+18	311+61 311+75	LT	56	19	253	5	1	2	73	309	INSTALL FLUSHING BASIN STA. 311+75
UD-26	796.0	312+25	314+11 314+03	LT	39	13	173	5	1	2	50	211	INSTALL FLUSHING BASIN STA. 312+25
UD-27	796.0	314+08	316+00	LT	42	14	189	5	1	2	55	231	INSTALL FLUSHING BASIN STA. 316+00
UD-28	796.7	316+45	318+86 319+25	LT	60	20	272	5	1	2	79	332	INSTALL FLUSHING BASIN STA. 319+25
UD-29	812.3	336+20	338+00	LT	40	13	172	11	1	2	50	210	INSTALL FLUSHING BASIN STA. 338+00
UD-30	818.1	338+25	342+36 342+25	LT	88	29	397	7	2	3	115	485	INSTALL FLUSHING BASINS STA. 339+25 & 342+25
UD-31	836.0	342+50	344+70	LT	48	16	213	9	1	2	62	260	INSTALL FLUSHING BASIN STA. 344+70
UD-32	812.1	344+75	351+31 351+25	LT	141	47	644	5	3	4	186	787	INSTALL FLUSHING BASINS STA. 344+75 & 347+75 & 350+75
UD-33	810.6	351+38 351+50	355+75	LT	93	31	420	7	2	3	121	513	INSTALL FLUSHING BASINS STA. 352+75 & 355+75
UD-34	812.5	355+90	358+02 358+00	RT	47	16	197	20	1	2	57	241	INSTALL FLUSHING BASIN STA. 358+00
UD-35	813.3	355+95	358+25	LT	50	17	225	7	1	2	65	275	INSTALL FLUSHING BASIN STA. 358+25
UD-36	814.1	358+63 358+70	361+00	LT	50	17	223	9	1	2	65	273	INSTALL FLUSHING BASIN STA. 361+00
UD-37	814.7	361+25	362+50	LT	28	9	125	5	1	2	36	153	INSTALL FLUSHING BASIN STA. 362+50
SHEET 8 SUBTOTALS					2480	826	11149	278	51	88	3224	13622	



DRAINAGE AGGREGATE SHALL MEET THE REQUIREMENTS OF SUBSECTION 704.16
 * ITEMS ARE INCLUDED IN THE UNIT PRICE BID FOR PAY ITEM 605.10 6 INCH UNDERDRAIN PIPE

UNDERDRAIN DETAIL
 NOT TO SCALE

- NOTES:
1. GEOTEXTILE FOR UNDERDRAIN TRENCH LINING SHALL NOT BE PLACED AROUND UNDERDRAIN WHEN COVER ABOVE UNDERDRAIN IS LESS THAN 1 FOOT.
 2. THE BEGINNING OF THE UNDERDRAIN PIPE TRENCH SHALL BE WRAPPED IN GEOTEXTILE FABRIC. PAYMENT FOR THIS WORK IS INCLUDED IN THE UNIT PRICE BID FOR ITEM 605.10 6 INCH UNDERDRAIN PIPE.
 3. REFER TO SHEET 7 FOR UNDERDRAIN CARRIER PIPE DETAIL.

PROJECT NAME: RANDOLPH-ROXBURY
 PROJECT NUMBER: ER STP 0187(II)

FILE NAME: z13c182frm.dgn PLOT DATE: 12/15/2014
 PROJECT LEADER: M. FOISY DRAWN BY: I. MAYNARD
 DESIGNED BY: I. MAYNARD CHECKED BY: M. FOISY
UNDERDRAIN DETAIL SHEET 1 SHEET 8 OF 545

