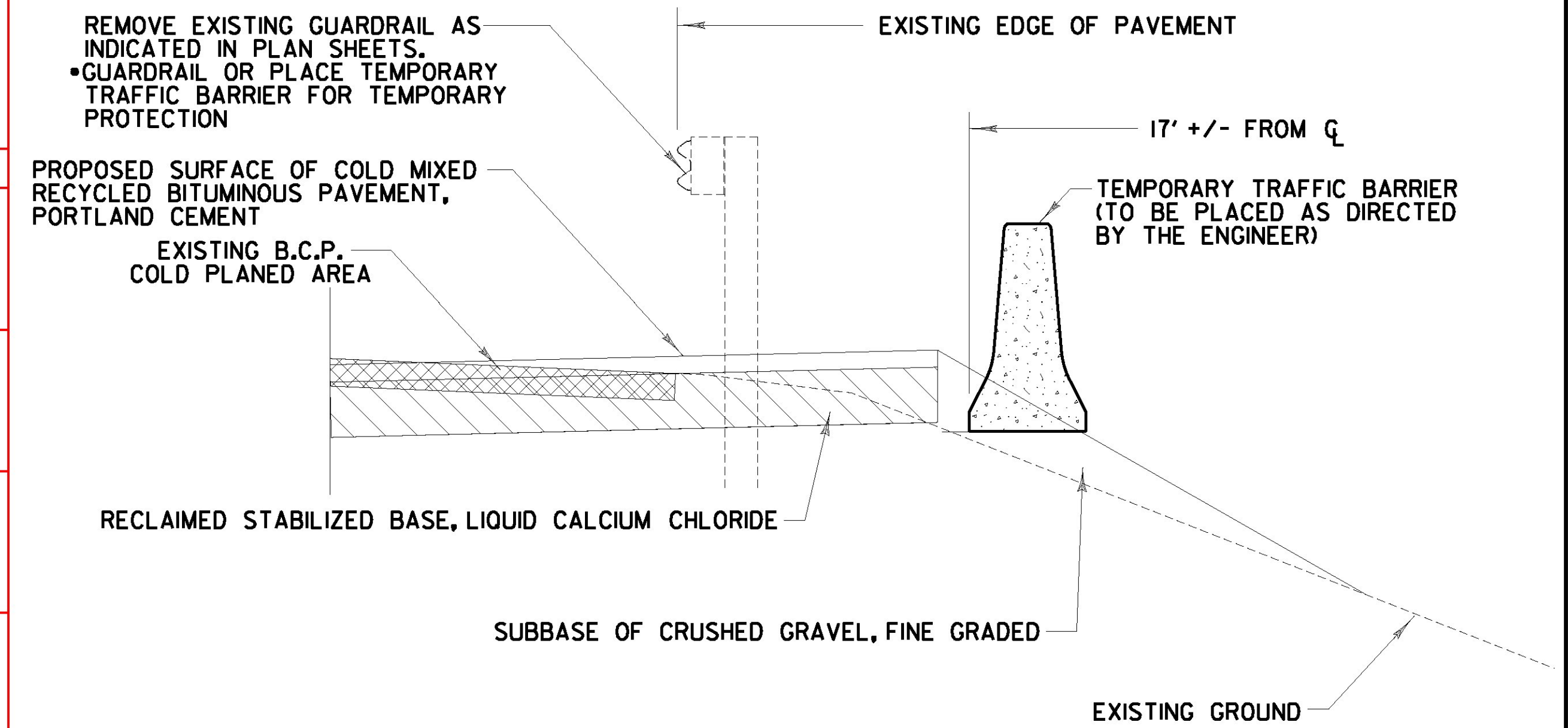
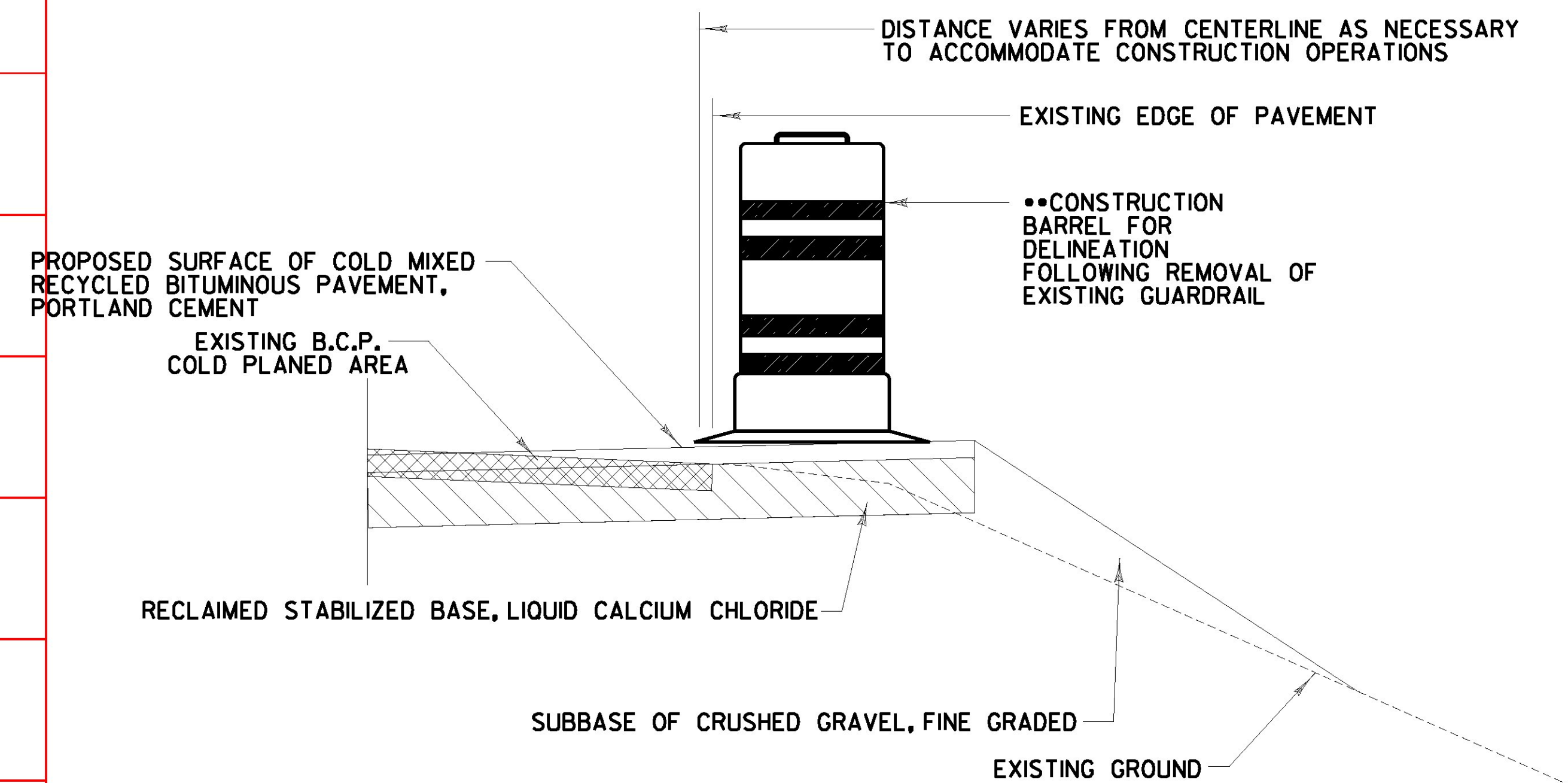


CONSTRUCTION OPERATIONS TRAFFIC PROTECTION PLAN

EXISTING GUARDRAIL INVENTORY								PROTECTION PLAN		
BEGIN STA.	END STA.	OFFSET	LENGTH (LF)	RETAIN/ REPLACE (Y/N)	OFFSET DISTANCE FROM PROPOSED HCL TO FACE OF RAIL (LF)	EXISTING RAIL TYPE	ASSESSED CONDITION (GOOD/FAIR/POOR)	CONSTRUCTION CONDITION	900.640 BARRIER FOR TEMPORARY TRAFFIC PROTECTION (LF)	900.640 DAMAGED POST PAY ADJ. (LF)
ROCHESTER VT. ROUTE 73										
R 12+34.0	R 15+99.0	LT	365.0	Y	15-20	STEEL W-BEAM	FAIR		425	306
R 18+75.0	R 22+12.0	RT	337.0	Y	14-18	STEEL W-BEAM	GOOD		575	441
R 30+47.0	R 42+15.0	RT	1168.0	Y	15-20	STEEL W-BEAM	GOOD		762.5	351
R 50+26.0	R 55+68.0	RT	542.0	Y	14-20	STEEL W-BEAM	FAIR		537.5	
R 61+41.0	R 71+55.0	RT	1014.0	Y	15-20	STEEL W-BEAM	GOOD		412.5	144
R 82+19.0	R 83+87.0	RT	168.0	Y	15-18	STEEL W-BEAM	GOOD		200	
R 83+44.0	R 86+71.0	LT	327.0	Y	14-18	STEEL W-BEAM	GOOD		325	45
R 88+61.0	R 91+87.0	RT	326.0	Y	15-19	STEEL W-BEAM	GOOD		325	
R 88+81.0	R 90+70.0	LT	189.0	Y	14-18	STEEL W-BEAM	GOOD		187.5	198
R 95+11.0	R 99+48.0	RT	437.0	Y	15-20	STEEL W-BEAM	GOOD		362.5	63
R 107+39.0	R 121+19.0	RT	1380.0	Y	14-19	STEEL W-BEAM	FAIR		1200	
R 120+30.0	R 126+76.0	LT	646.0	Y	13-19	STEEL W-BEAM	GOOD		462.5	15



• PAYMENT FOR THIS WORK WILL BE MADE UNDER ITEM 900.640 SPECIAL PROVISION (BARRIER FOR TEMPORARY TRAFFIC PROTECTION)



•• PAYMENT FOR THIS WORK WILL BE INCLUDED IN THE UNIT BID PRICE FOR CONTRACT ITEM 641.10

TEMPORARY PROTECTION AND DELINEATION DETAILS TRAFFIC DURING CONSTRUCTION

TOTAL = 5775+1563 = 7338 LF

NOT TO SCALE



PROJECT NAME: ROCHESTER
PROJECT NUMBER: ER STP 0162(21)

FILE NAME: z13cl76co+pp.dgn
PROJECT LEADER: D. GOZALKOWSKI
DESIGNED BY: J. OLSEN
CONSTRUCTION OPERATIONS TRAFFIC PROTECTION PLAN SHEET #1 SHEET 351 OF 360

PLOT DATE: 1/11/2017
DRAWN BY: J. HEALD
CHECKED BY: J. SHIELDS