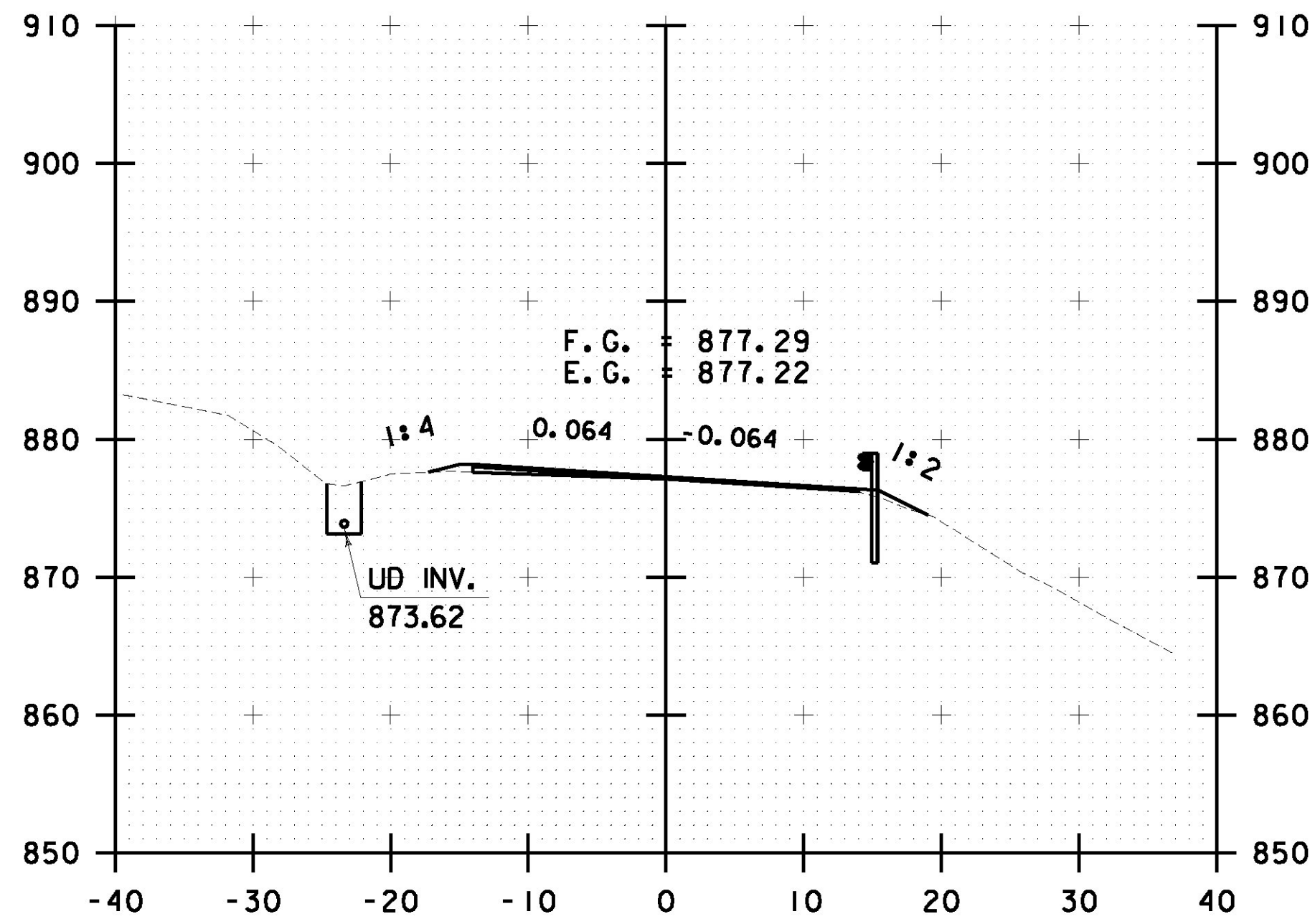
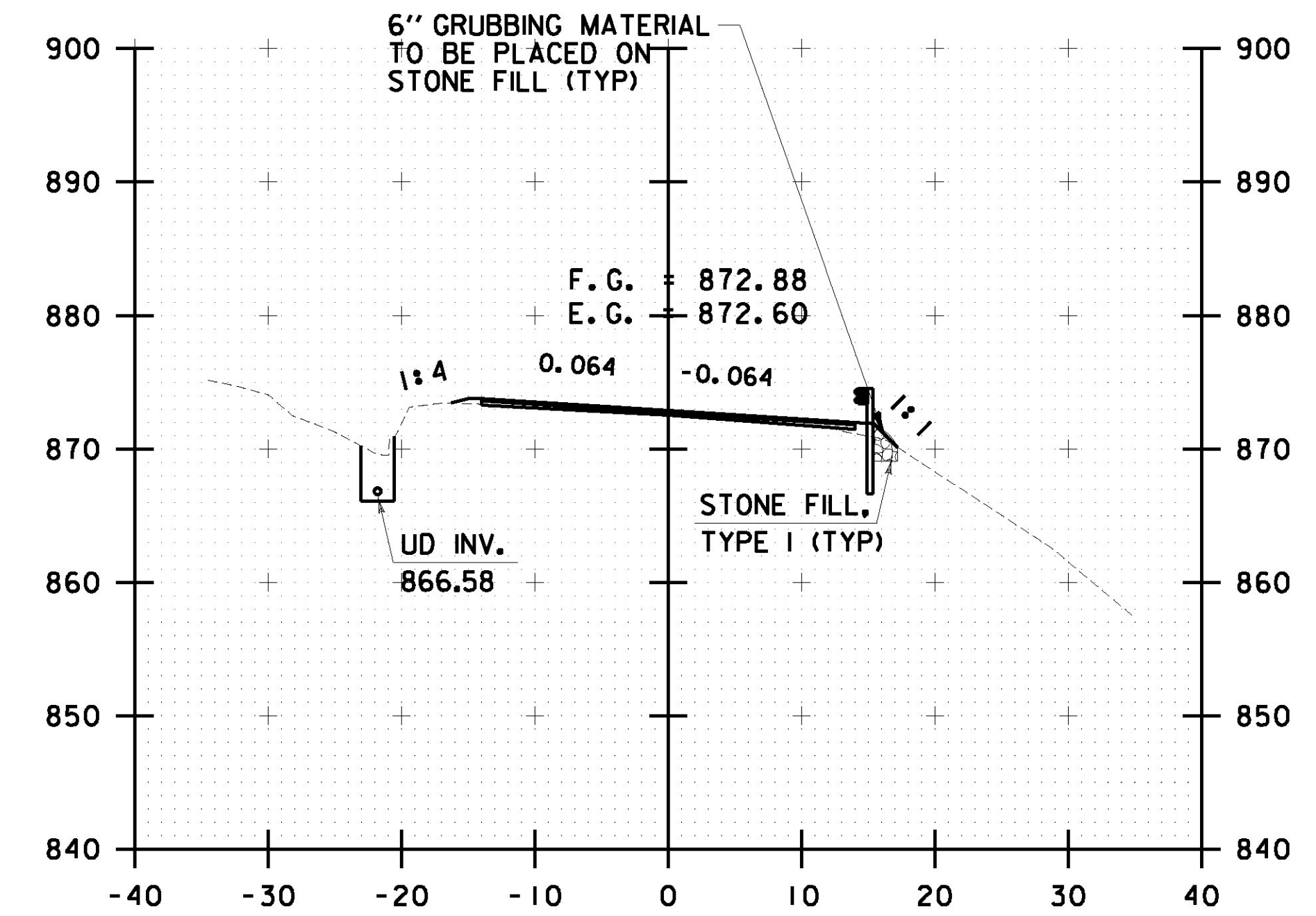


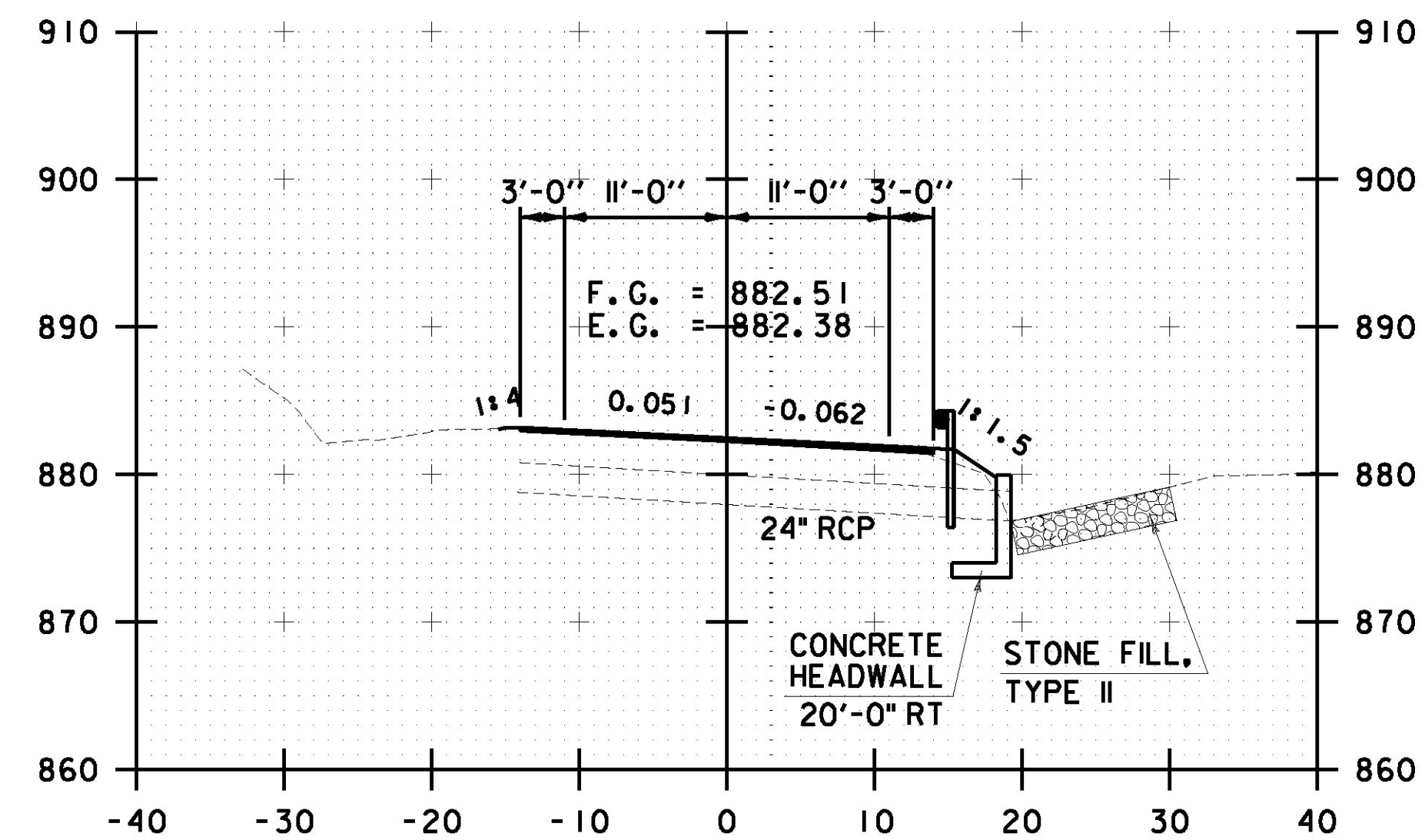
R 440+00.00



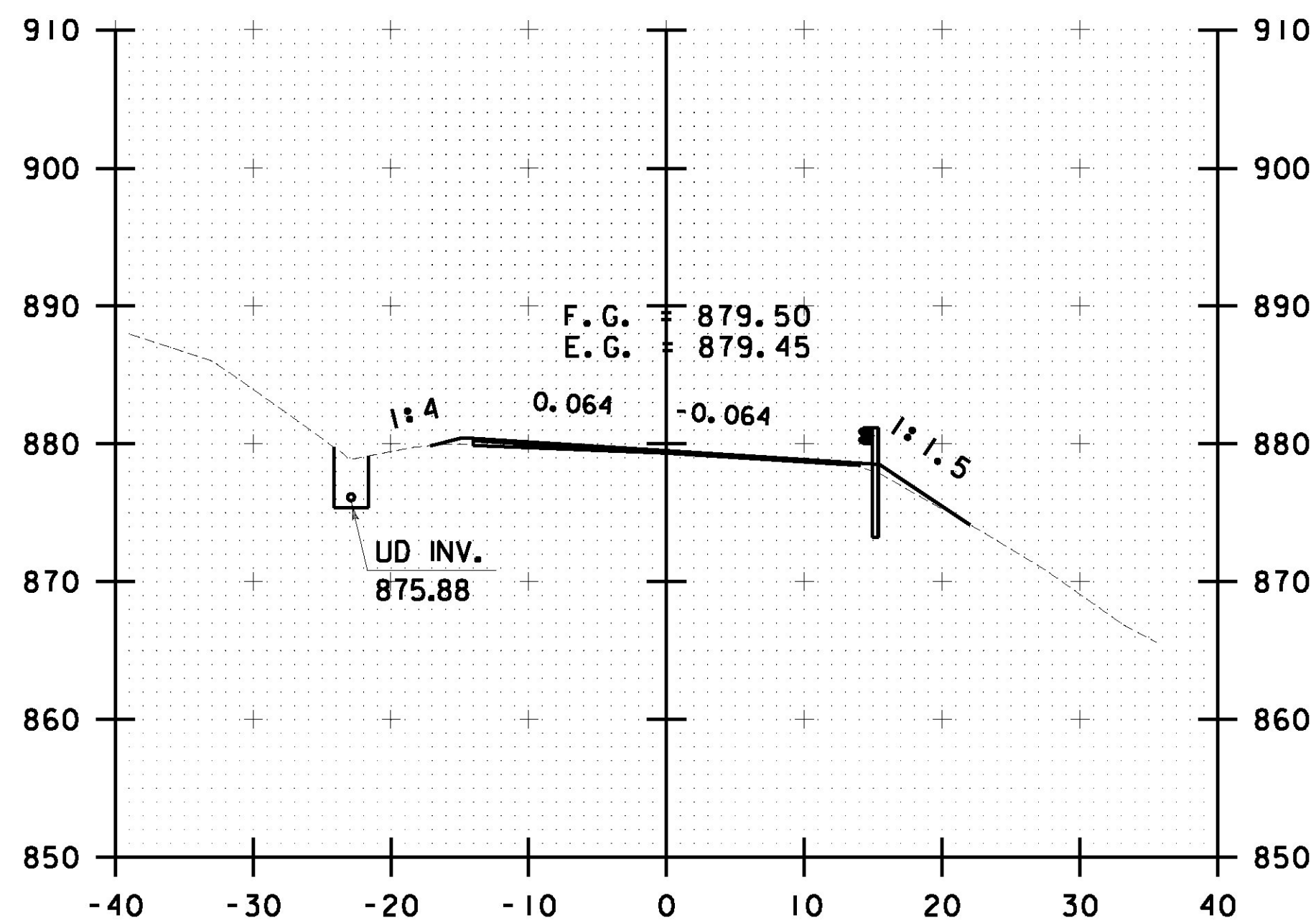
R 441+00.00



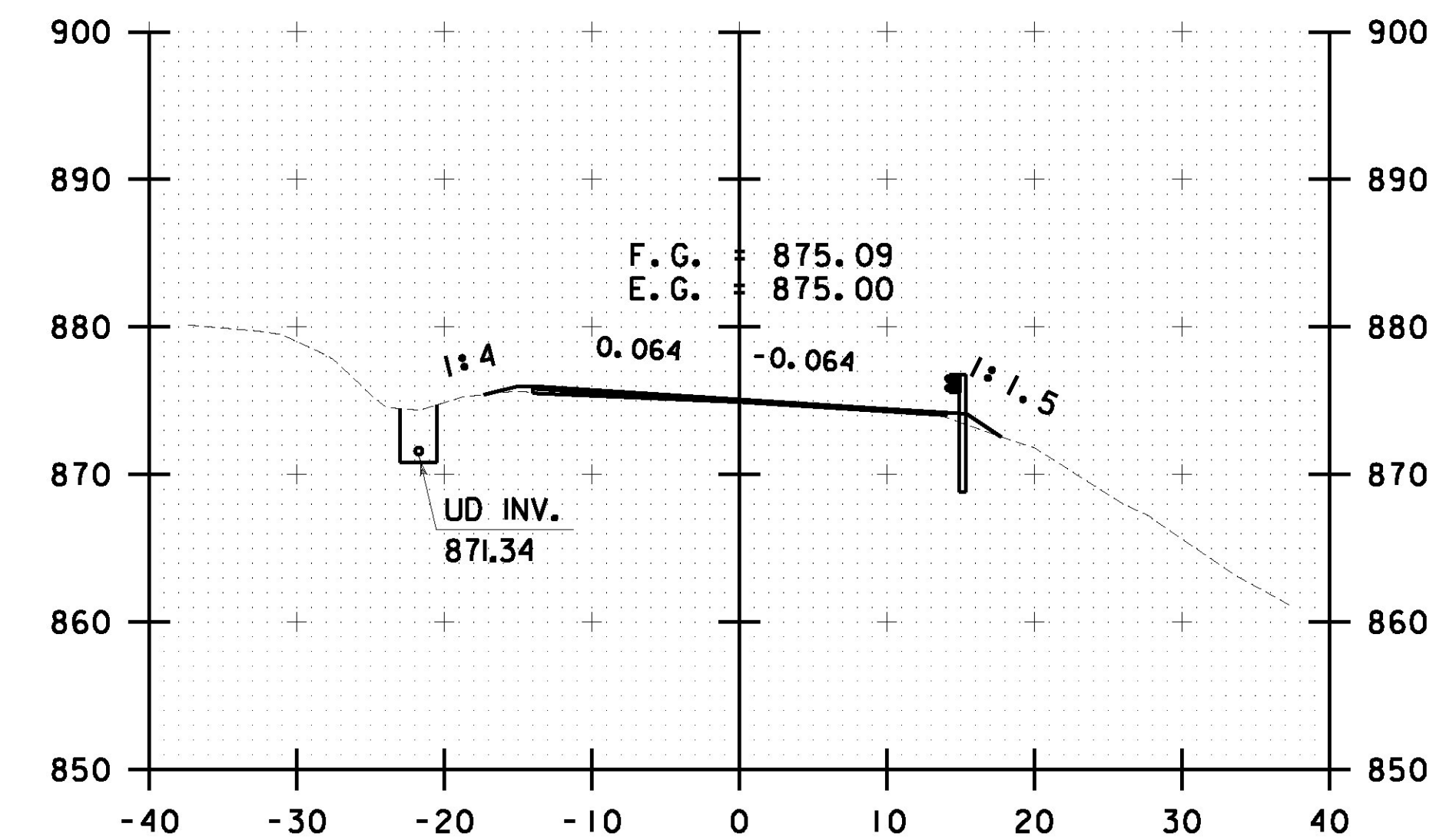
R 442+00.00



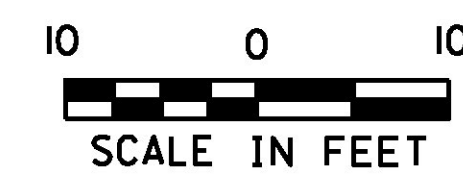
R 439+77.00



R 440+50.00



R 441+50.00



PROJECT NAME: ROCHESTER  
 PROJECT NUMBER: ER STP 0162(21)

FILE NAME: z13cl76xc.dgn  
 PROJECT LEADER: D. GOZALKOWSKI  
 DESIGNED BY: J. OLSEN  
 ROCHESTER CROSS SECTION SHEET #152

PLOT DATE: 1/12/2017  
 DRAWN BY: J. HEALD  
 CHECKED BY: J. SHIELDS  
 SHEET 341 OF 360