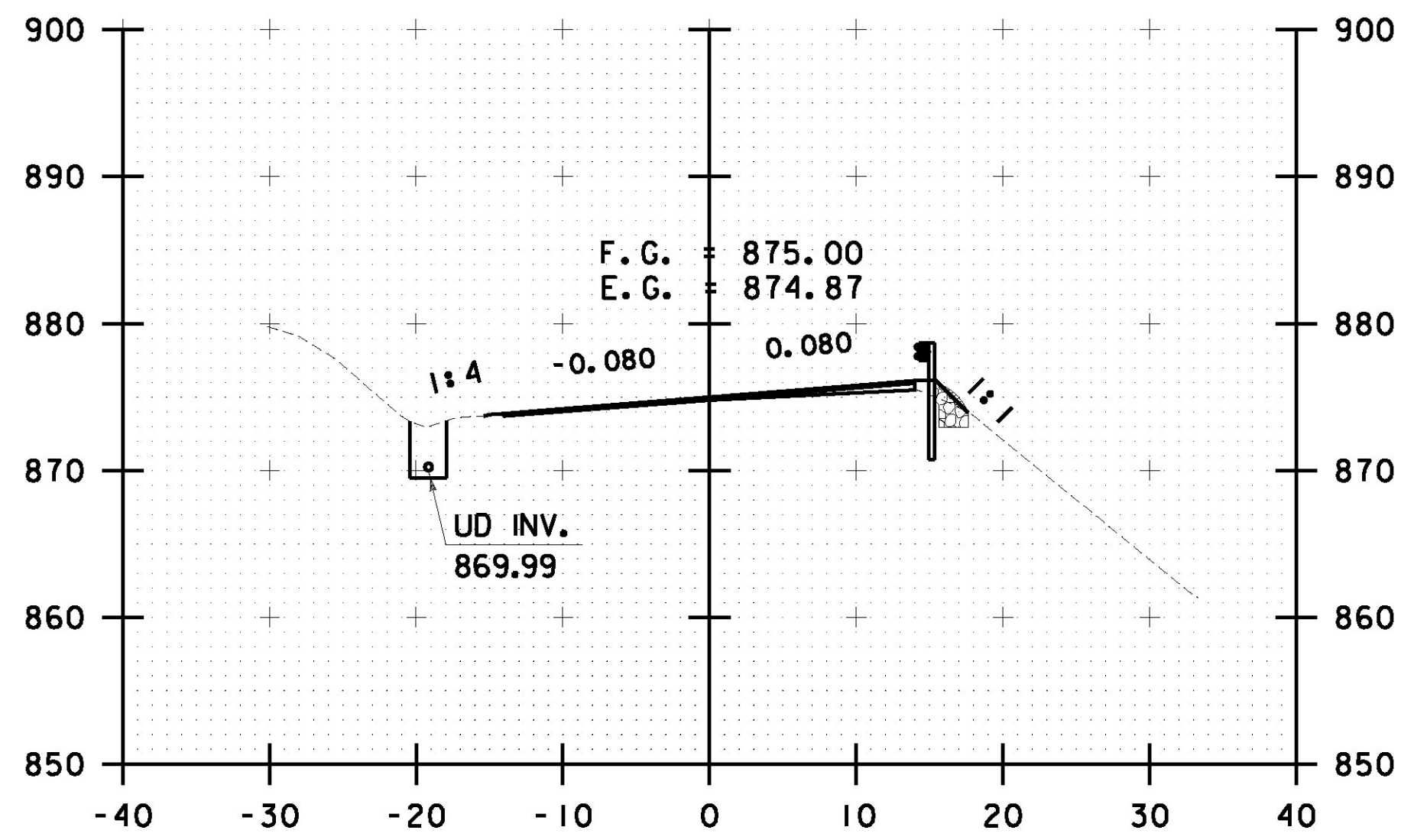
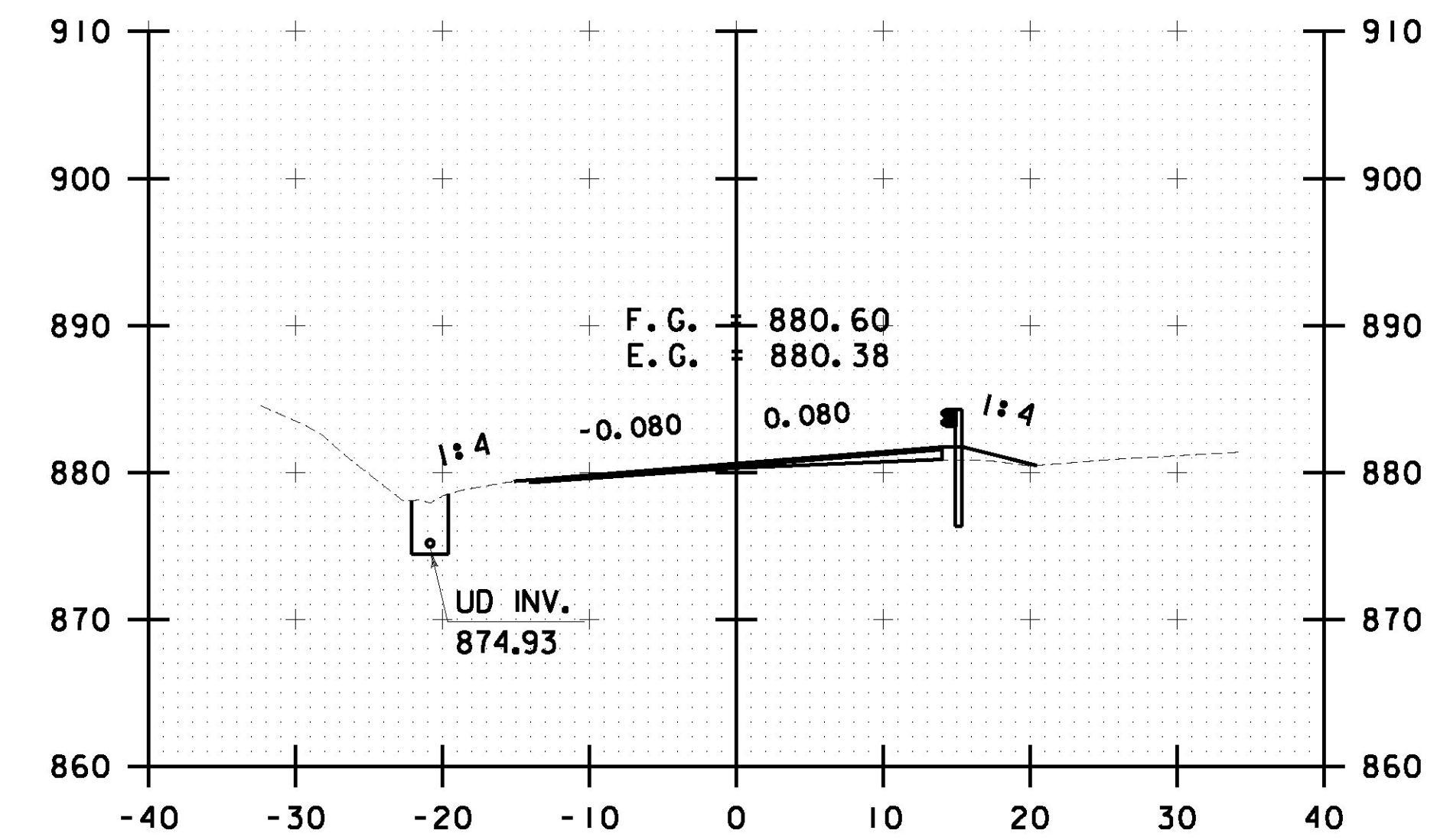


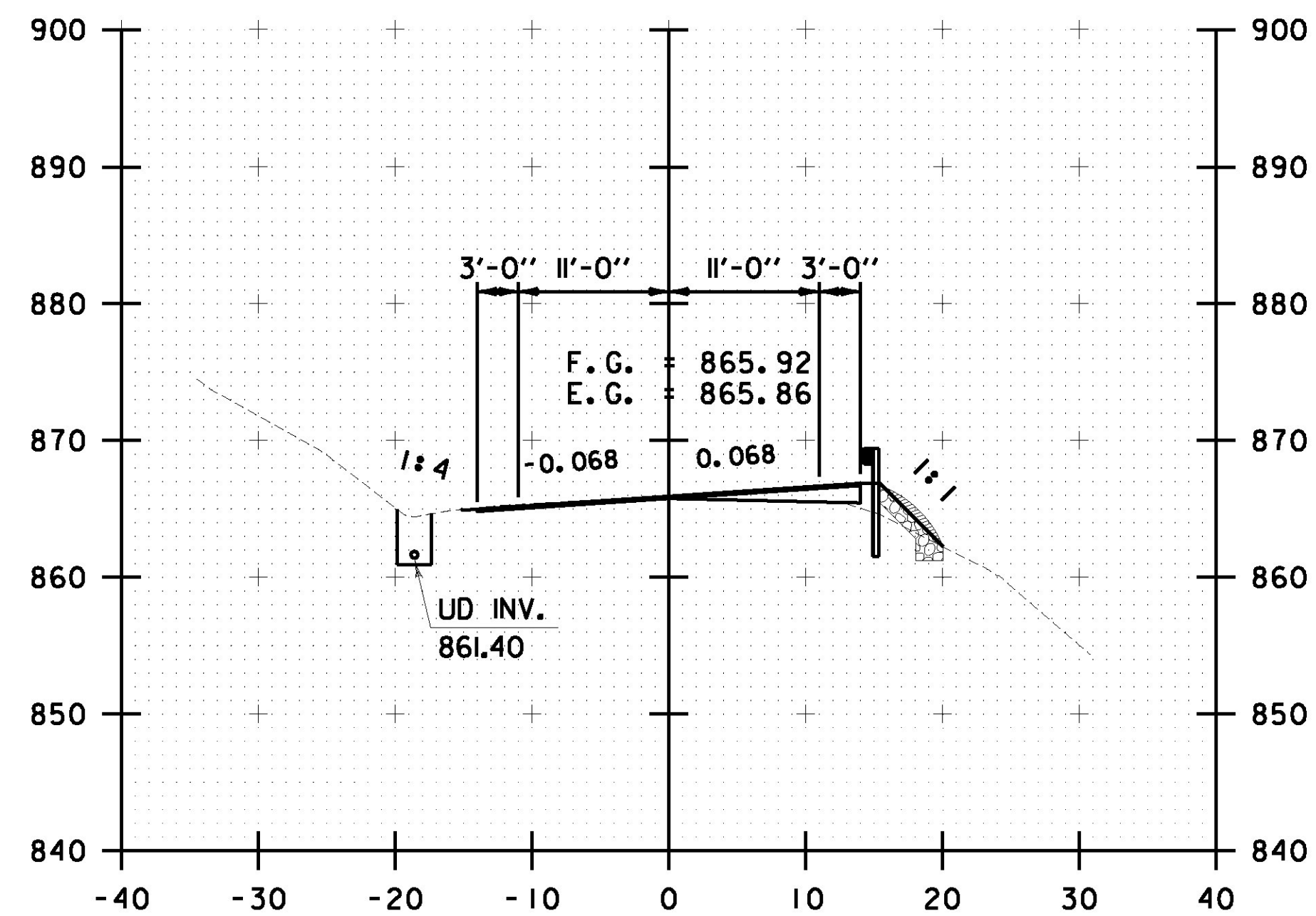
R 434+50.00



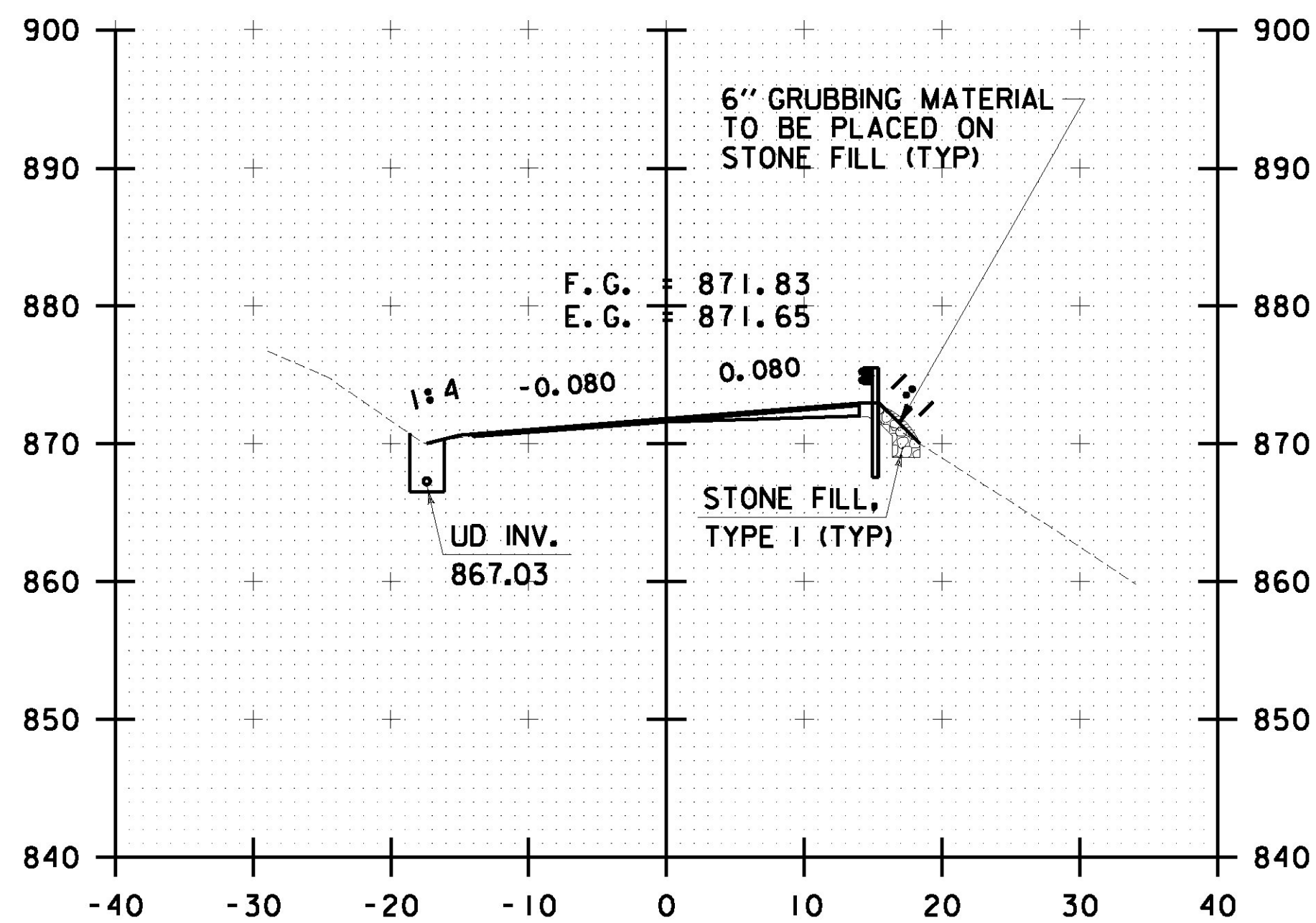
R 435+50.00



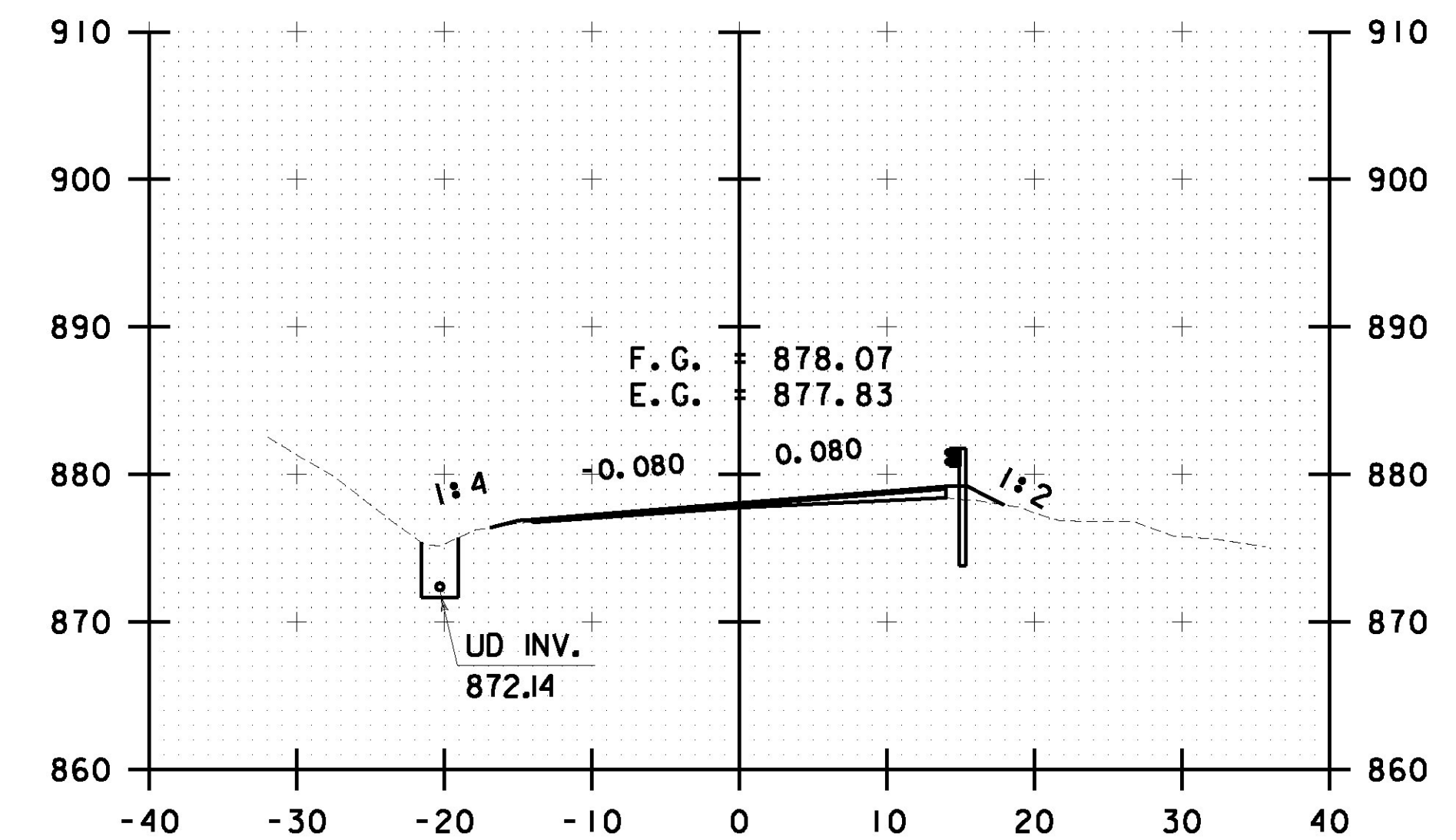
R 436+50.00



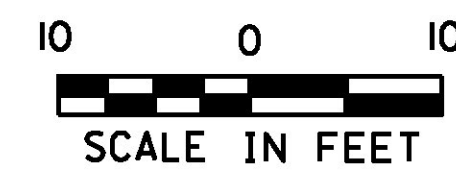
R 434+00.00



R 435+00.00



R 436+00.00



PROJECT NAME: ROCHESTER	
PROJECT NUMBER: ER STP 0162(21)	
FILE NAME: z13cl76xc.dgn	PLOT DATE: 1/12/2017
PROJECT LEADER: D. GOZALKOWSKI	DRAWN BY: J. HEALD
DESIGNED BY: J. OLSEN	CHECKED BY: J. SHIELDS
ROCHESTER CROSS SECTION SHEET #150	SHEET 339 OF 360