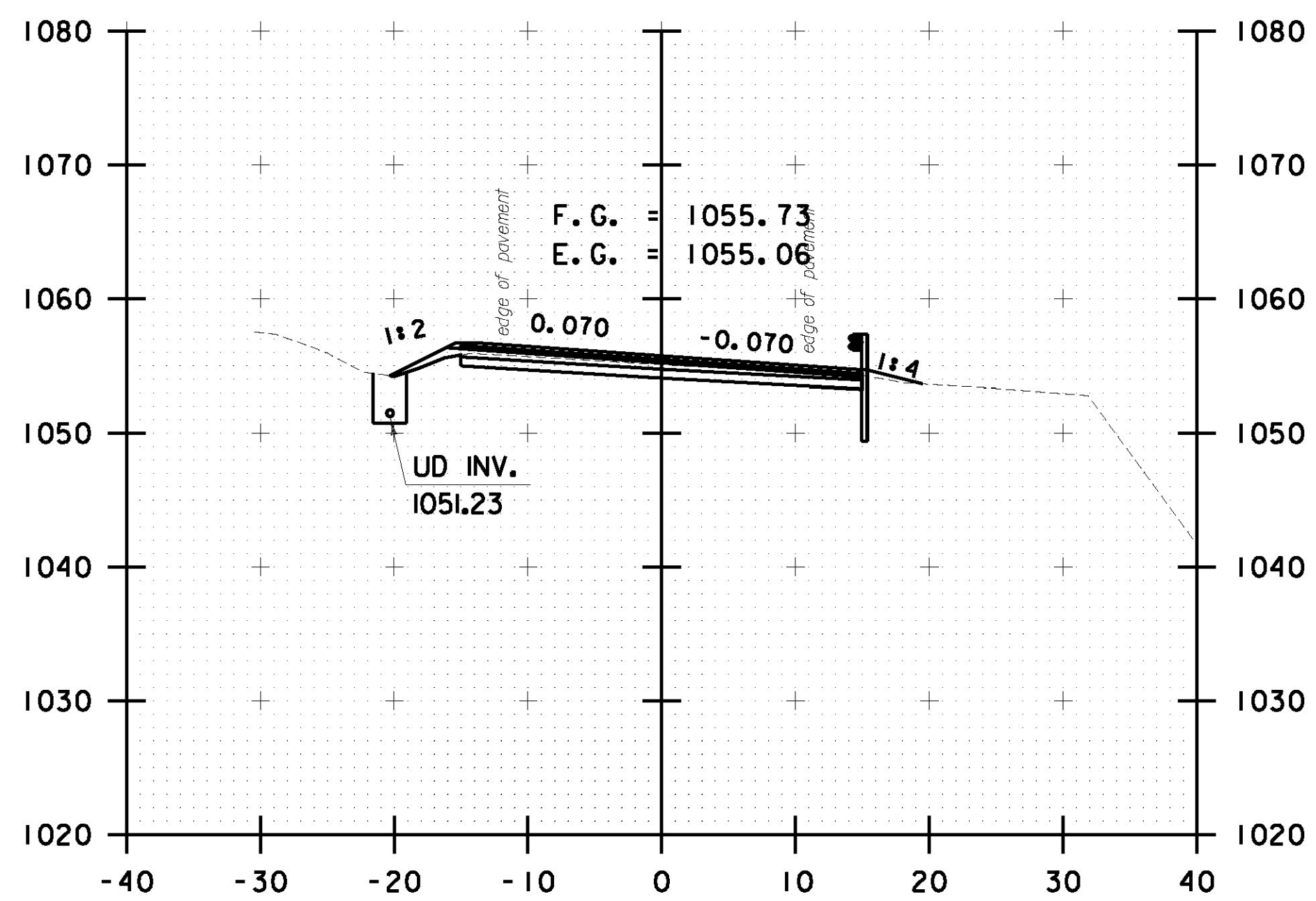
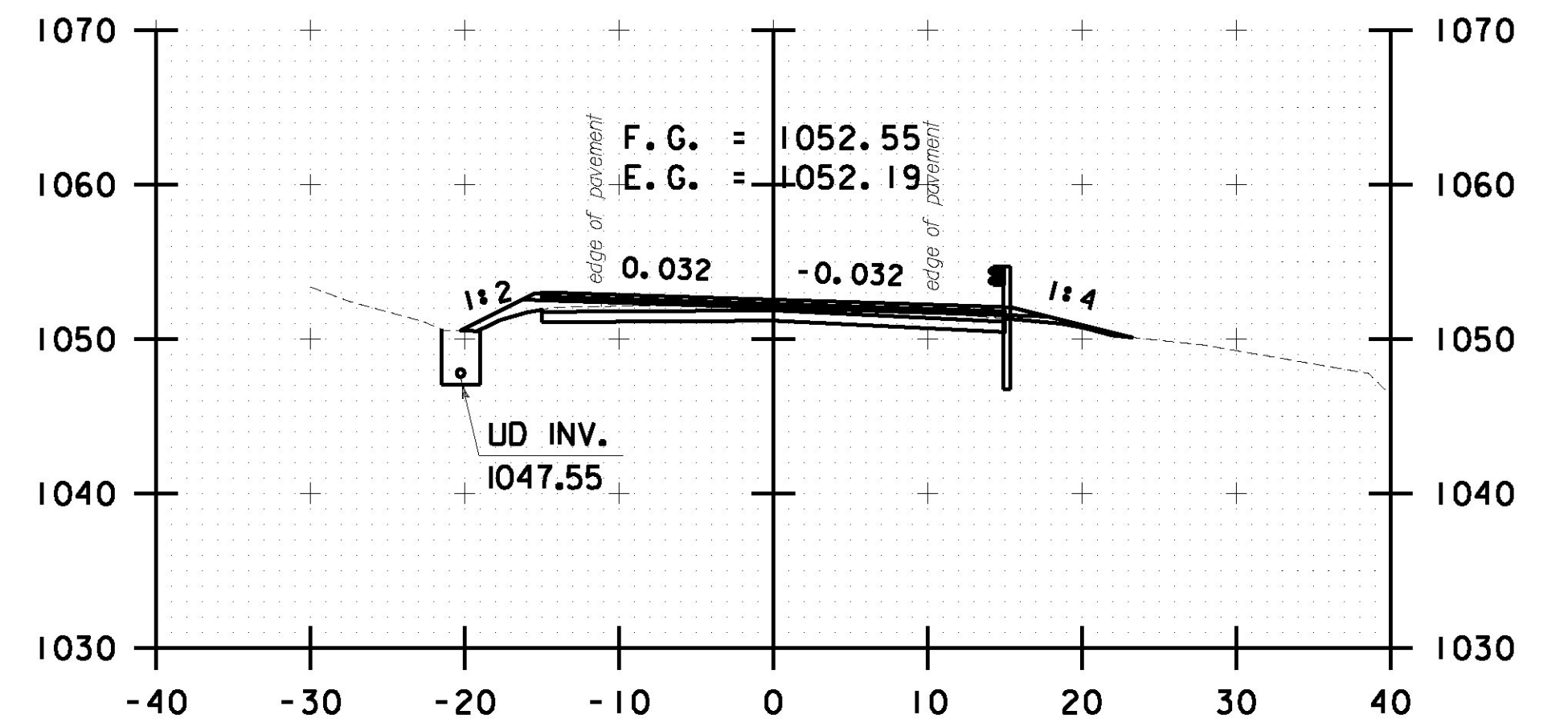


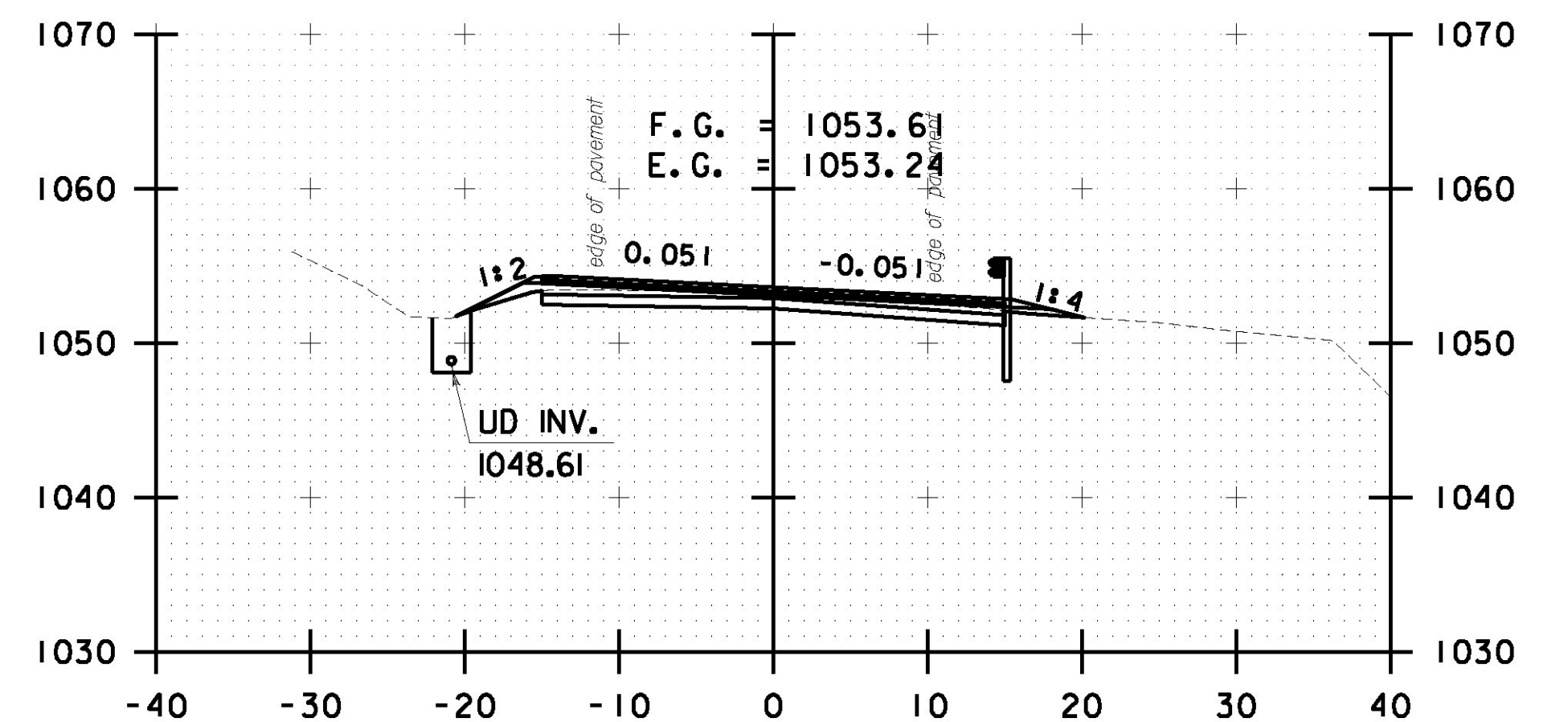
R 245+00.00



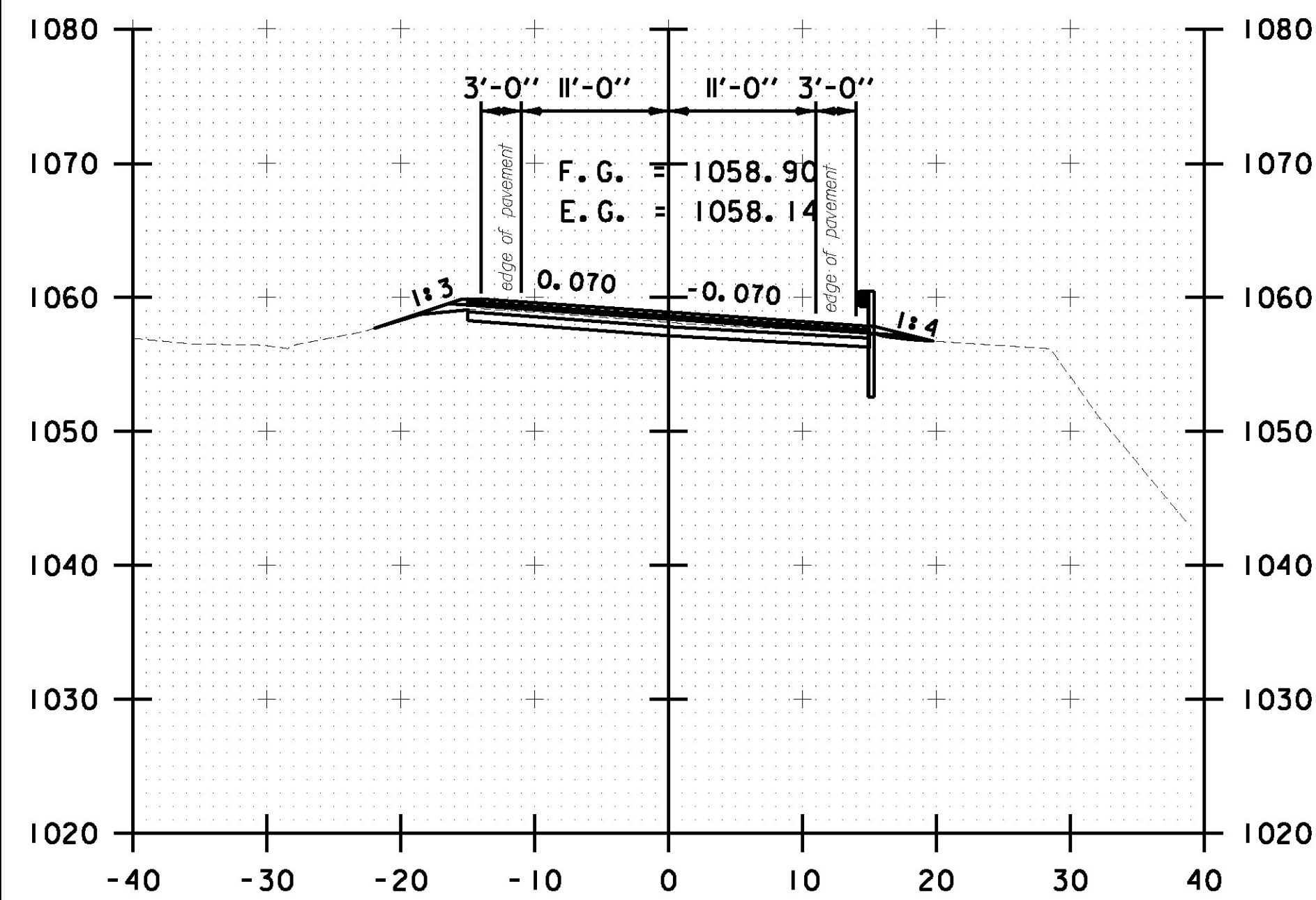
R 246+00.00



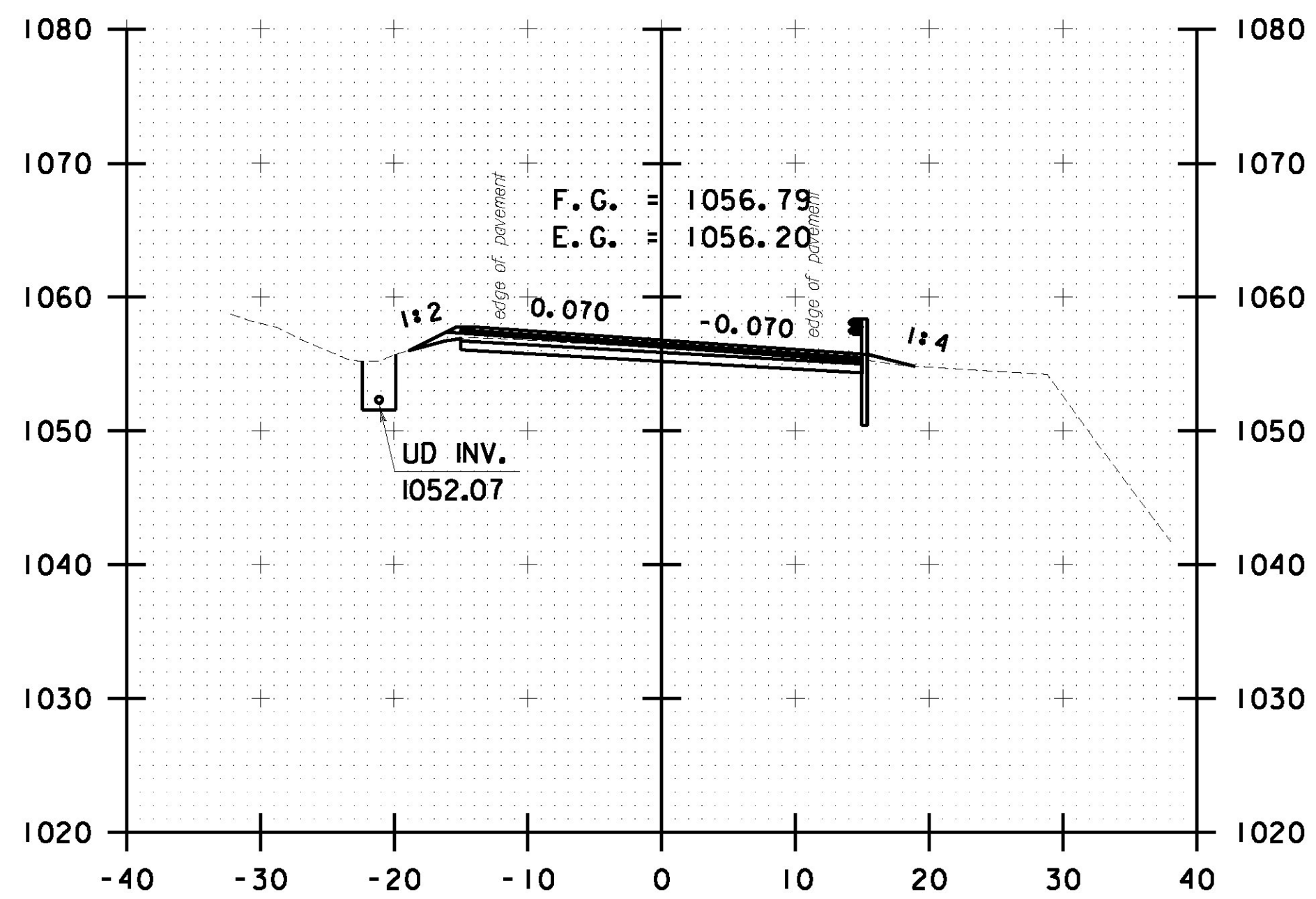
R 247+50.00



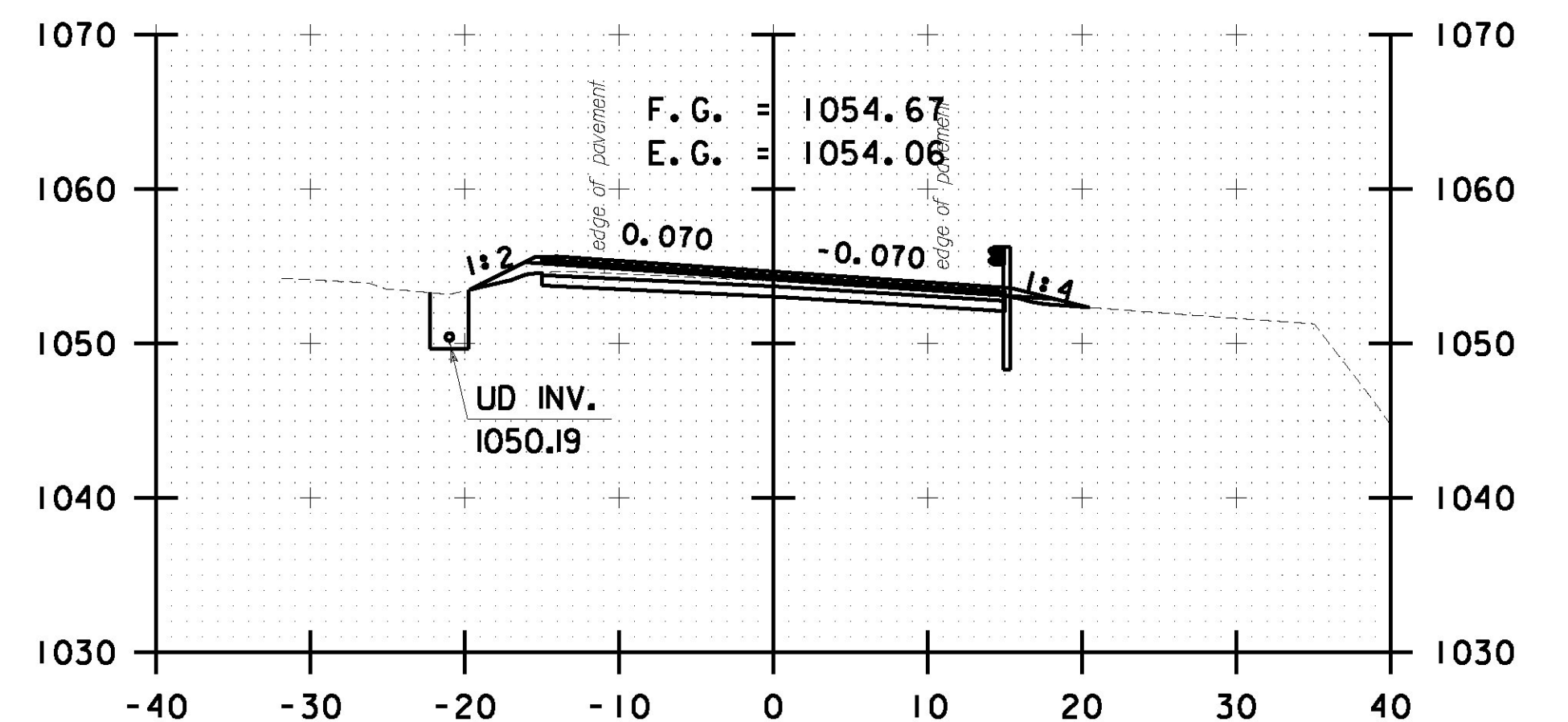
R 247+00.00



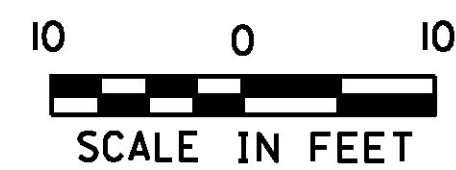
R 244+50.00



R 245+50.00



R 246+50.00



SCALE IN FEET



PROJECT NAME: ROCHESTER	
PROJECT NUMBER: ER STP 0162(21)	
FILE NAME: z13cl76xc.dgn	PLOT DATE: 1/12/2017
PROJECT LEADER: D. GOZALKOWSKI	DRAWN BY: J. HEALD
DESIGNED BY: J. OLSEN	CHECKED BY: J. SHIELDS
ROCHESTER CROSS SECTION SHEET #85	SHEET 271 OF 360