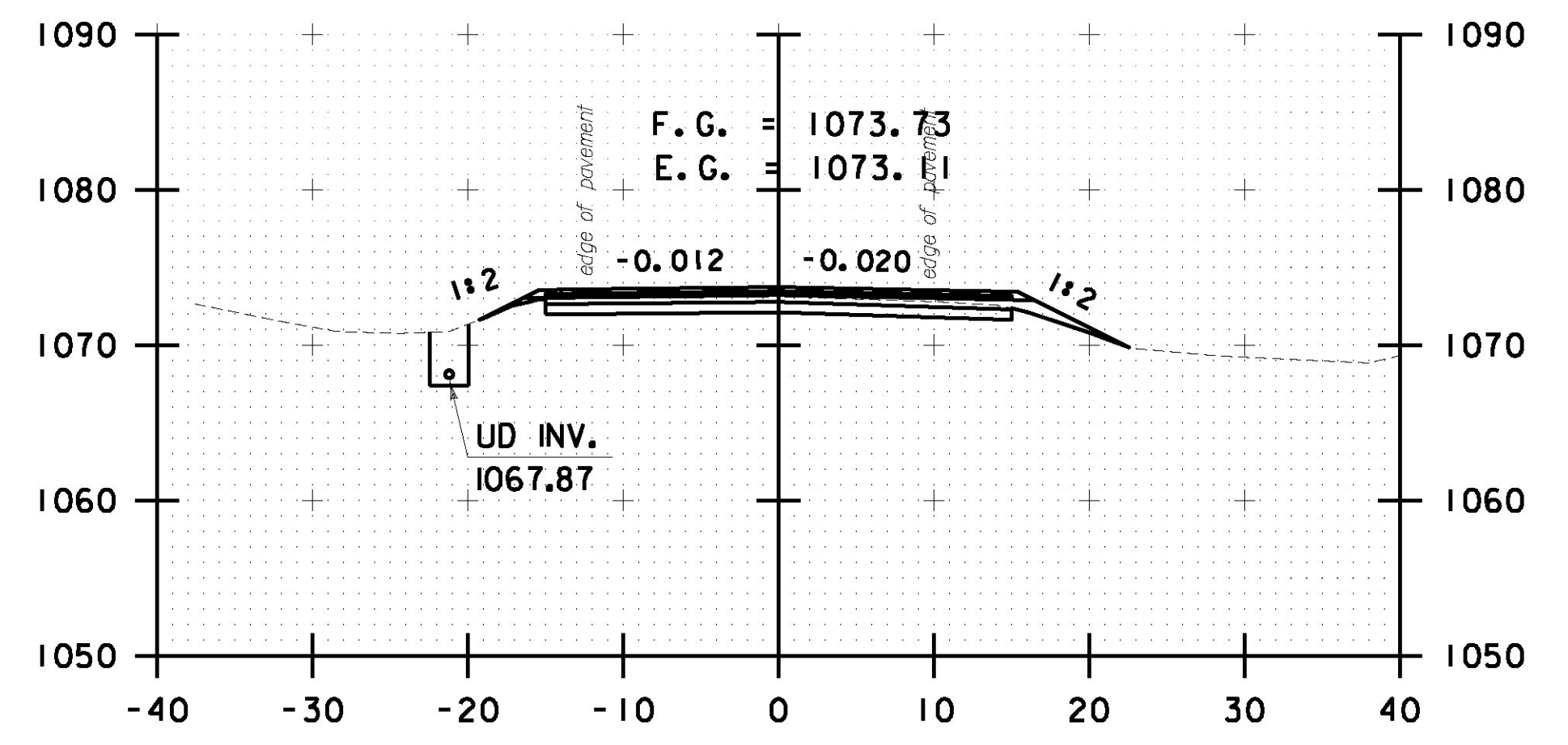
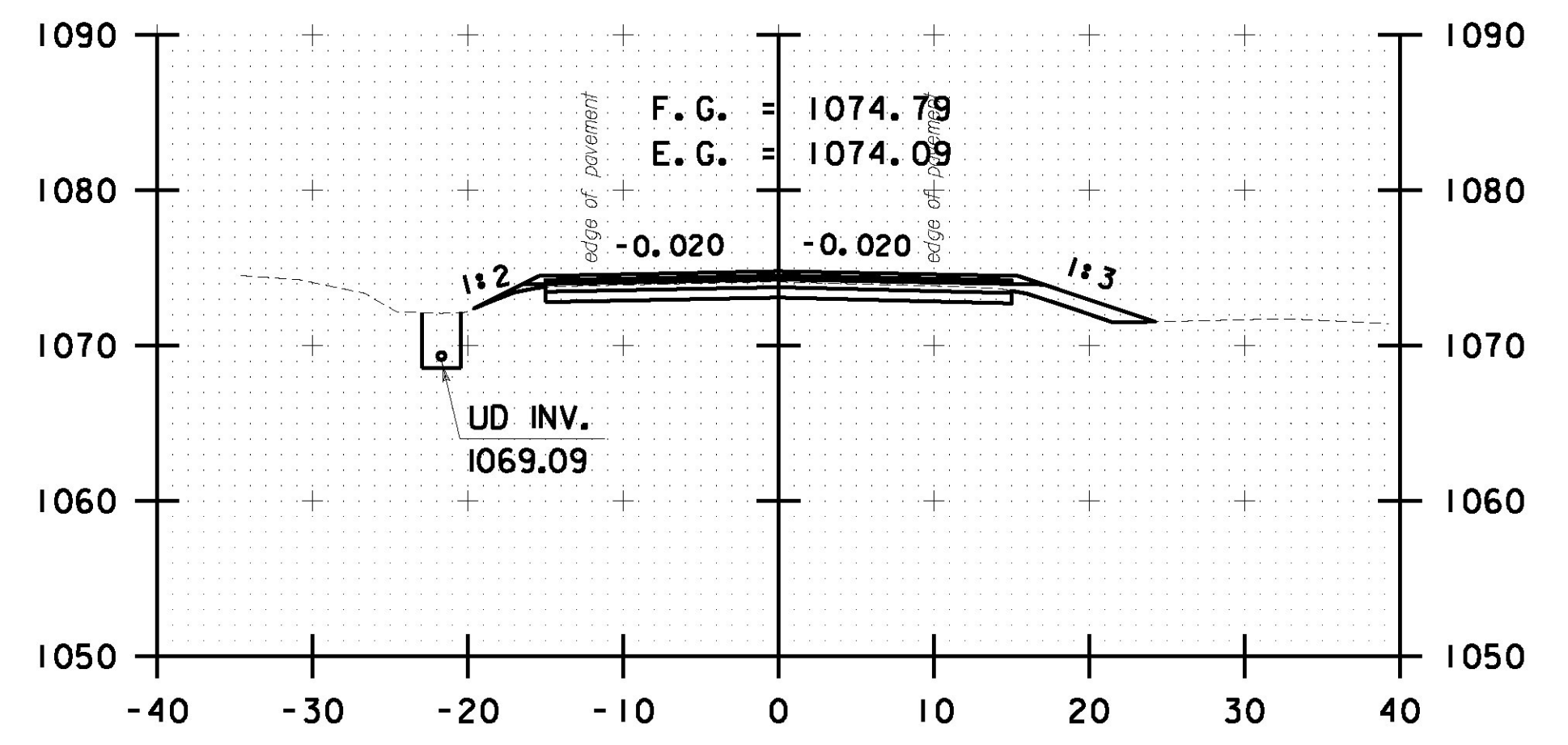


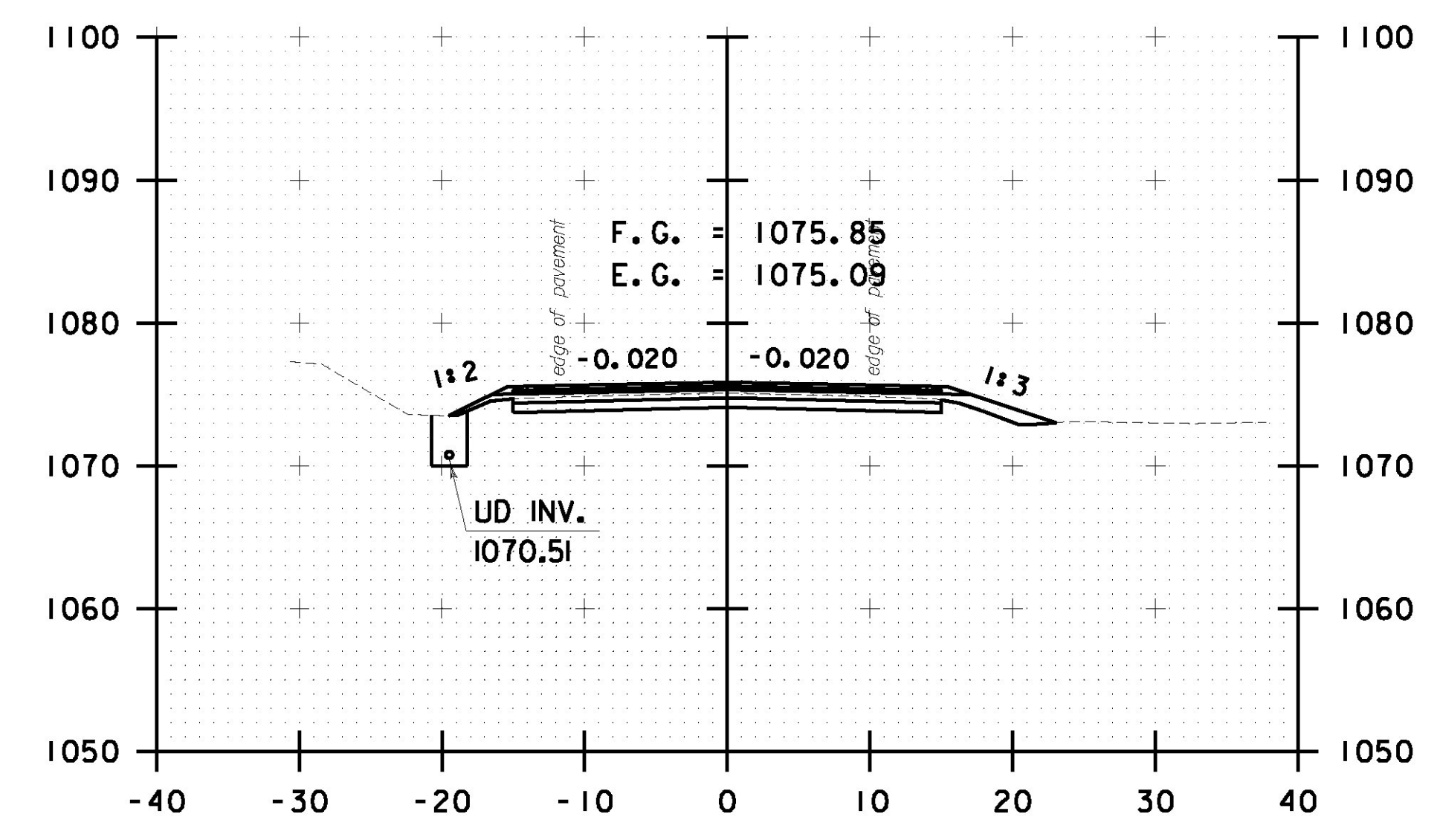
R 238+00.00



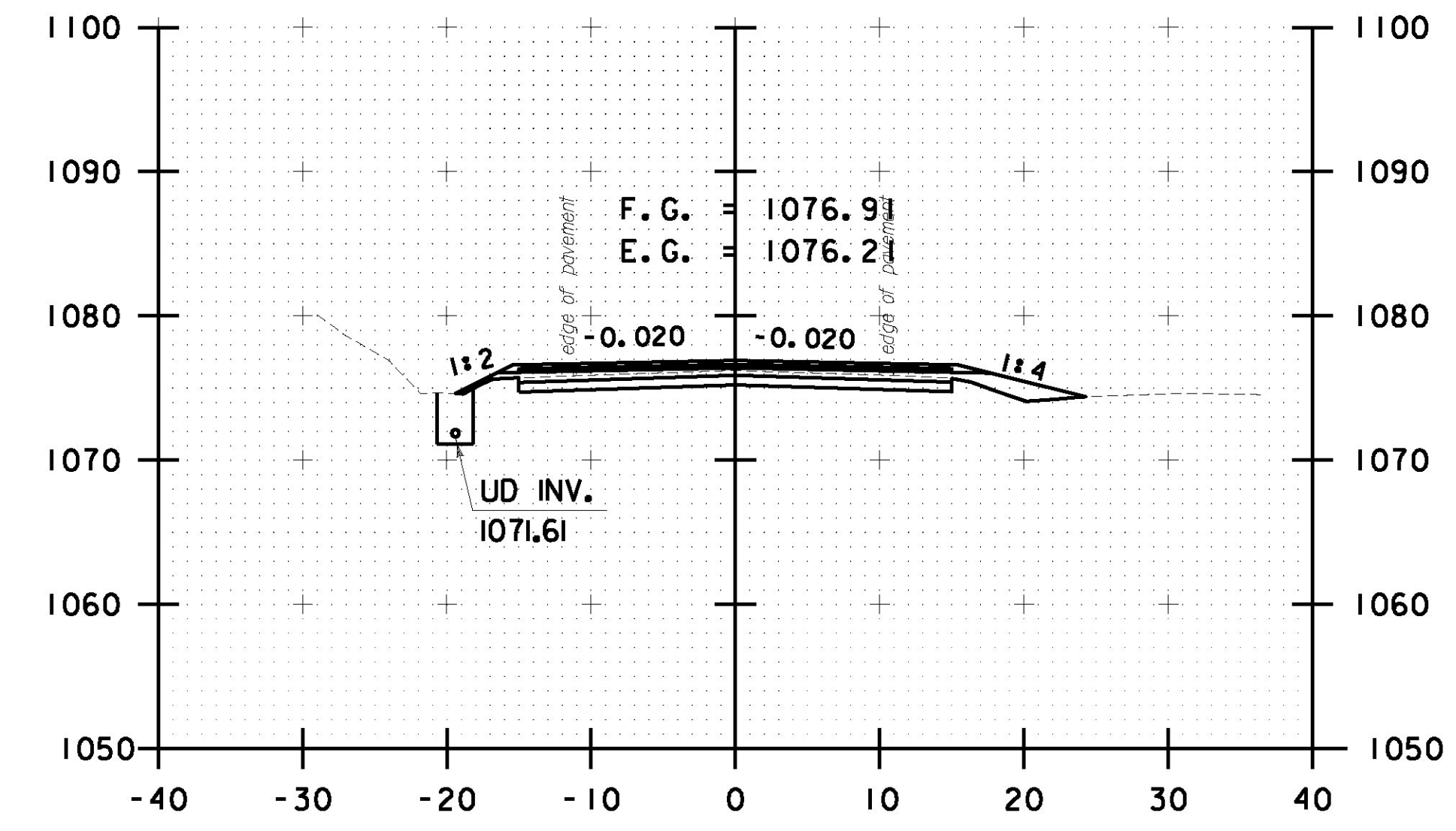
R 237+50.00



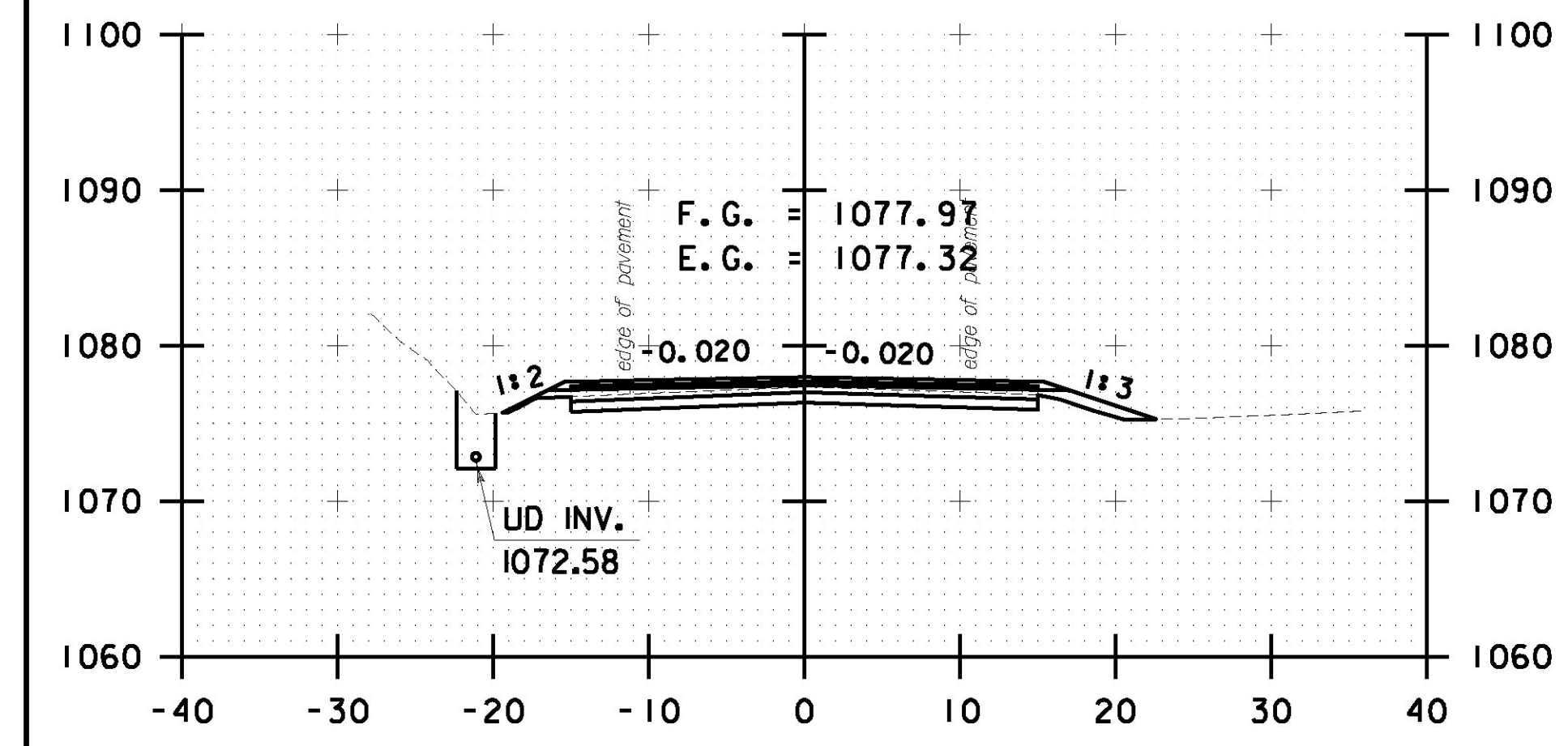
R 237+00.00



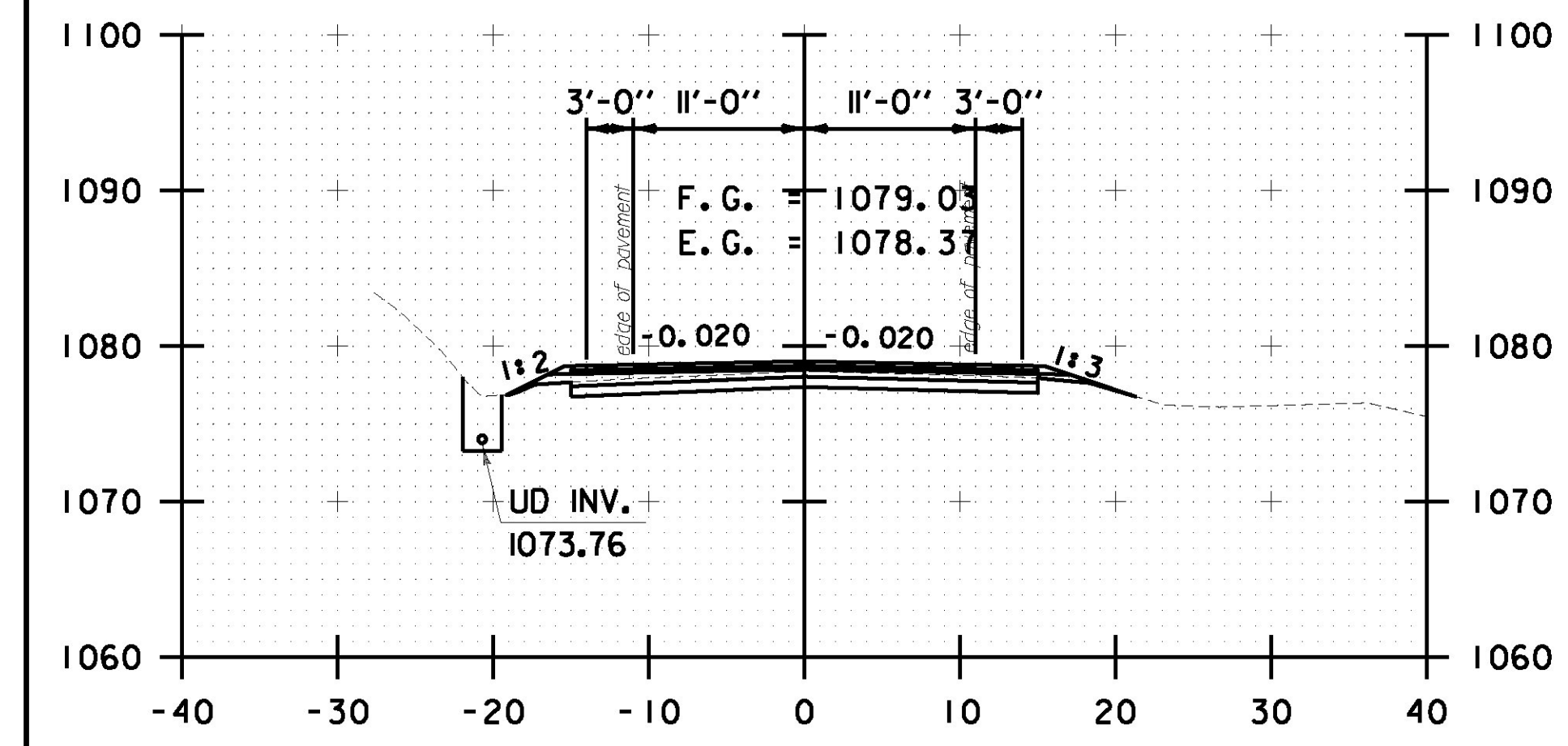
R 236+50.00



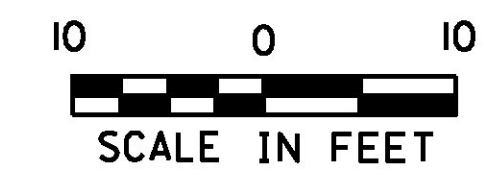
R 236+00.00



R 235+50.00



R 235+00.00



PROJECT NAME: ROCHESTER	
PROJECT NUMBER: ER STP 0162(21)	
FILE NAME: z13cl76xc.dgn	PLOT DATE: 1/12/2017
PROJECT LEADER: D. GOZALKOWSKI	DRAWN BY: J. HEALD
DESIGNED BY: J. OLSEN	CHECKED BY: J. SHIELDS
ROCHESTER CROSS SECTION SHEET #82	SHEET 268 OF 360