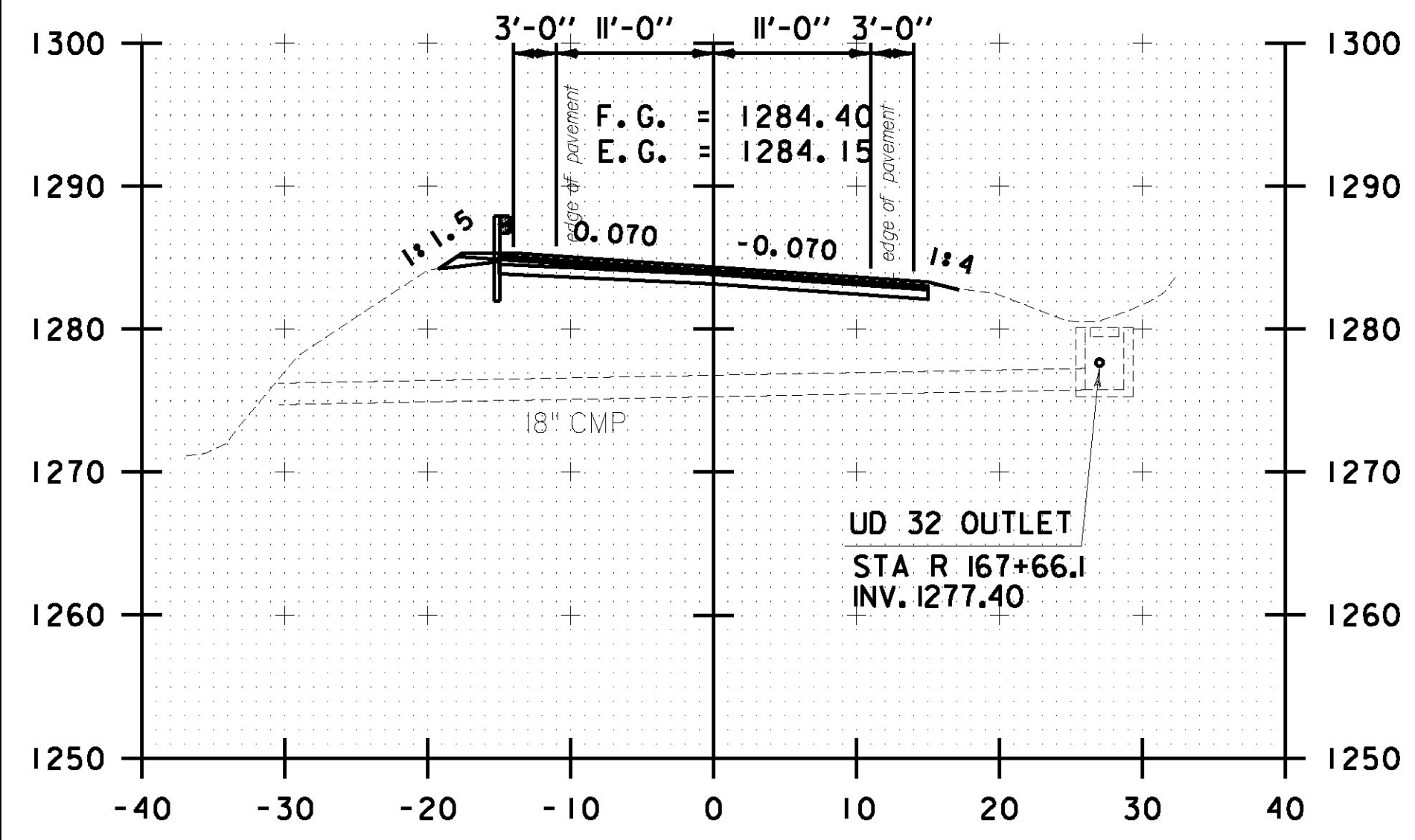
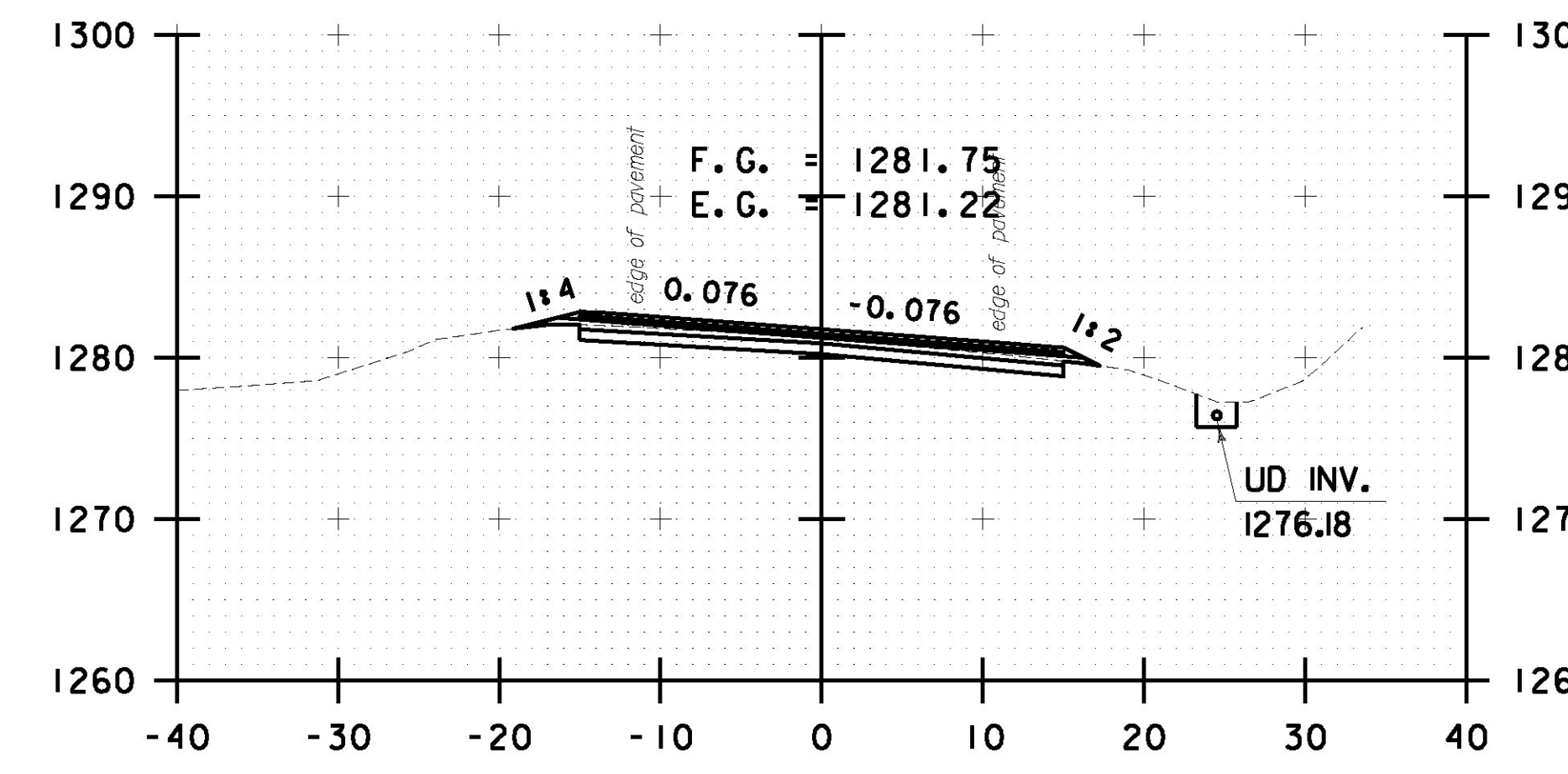


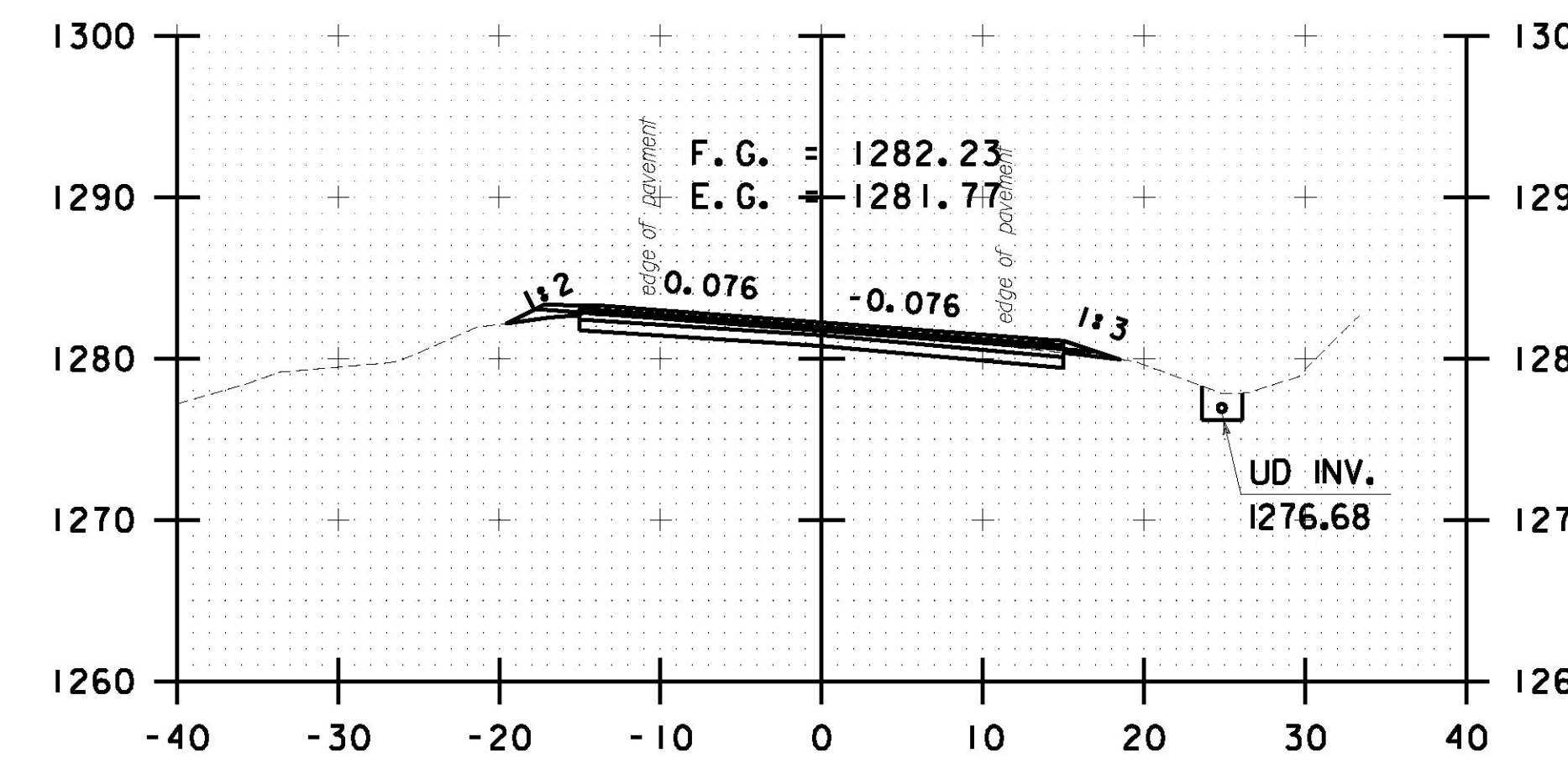
R 168+00.00



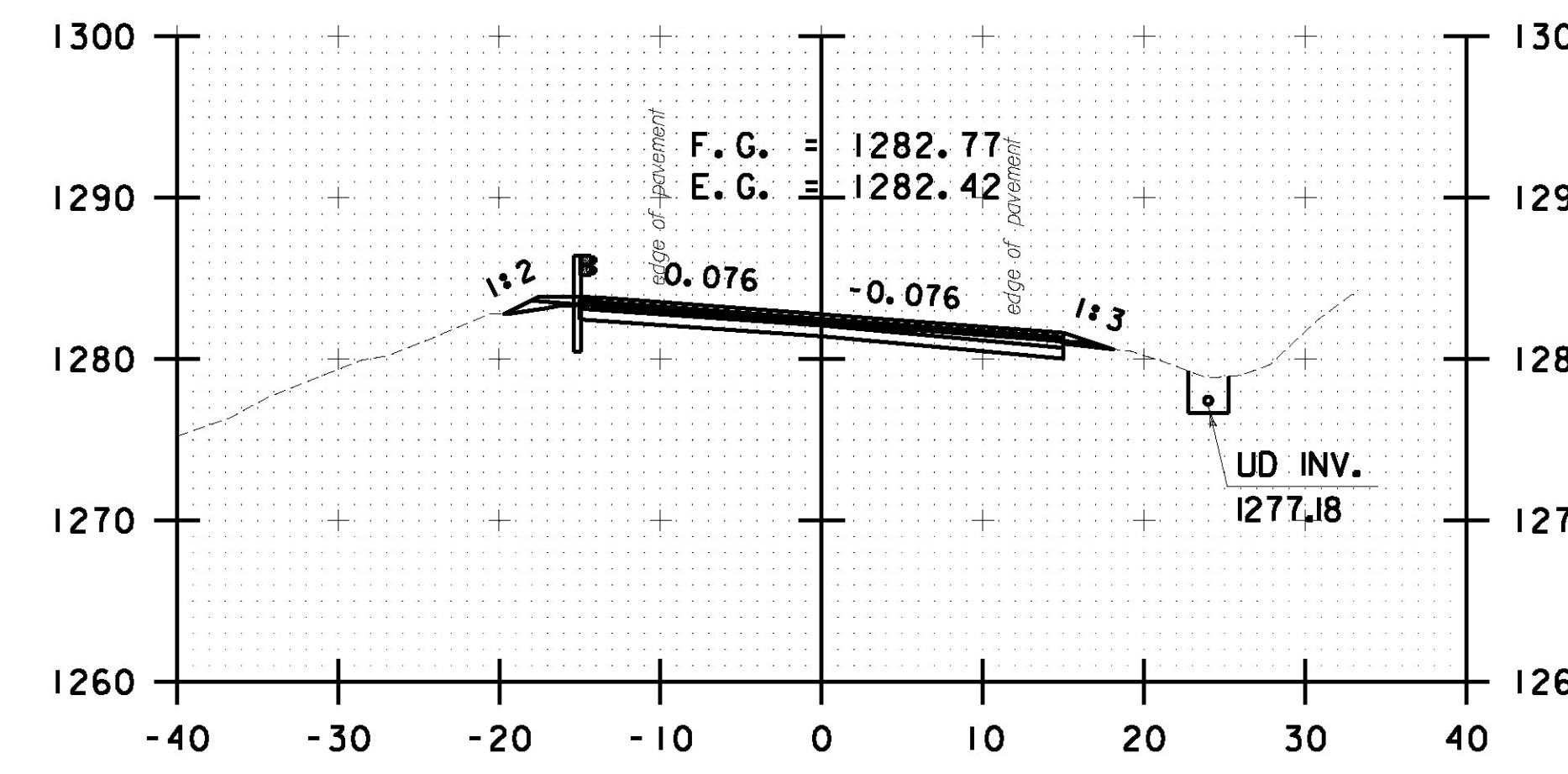
R 167+50.00



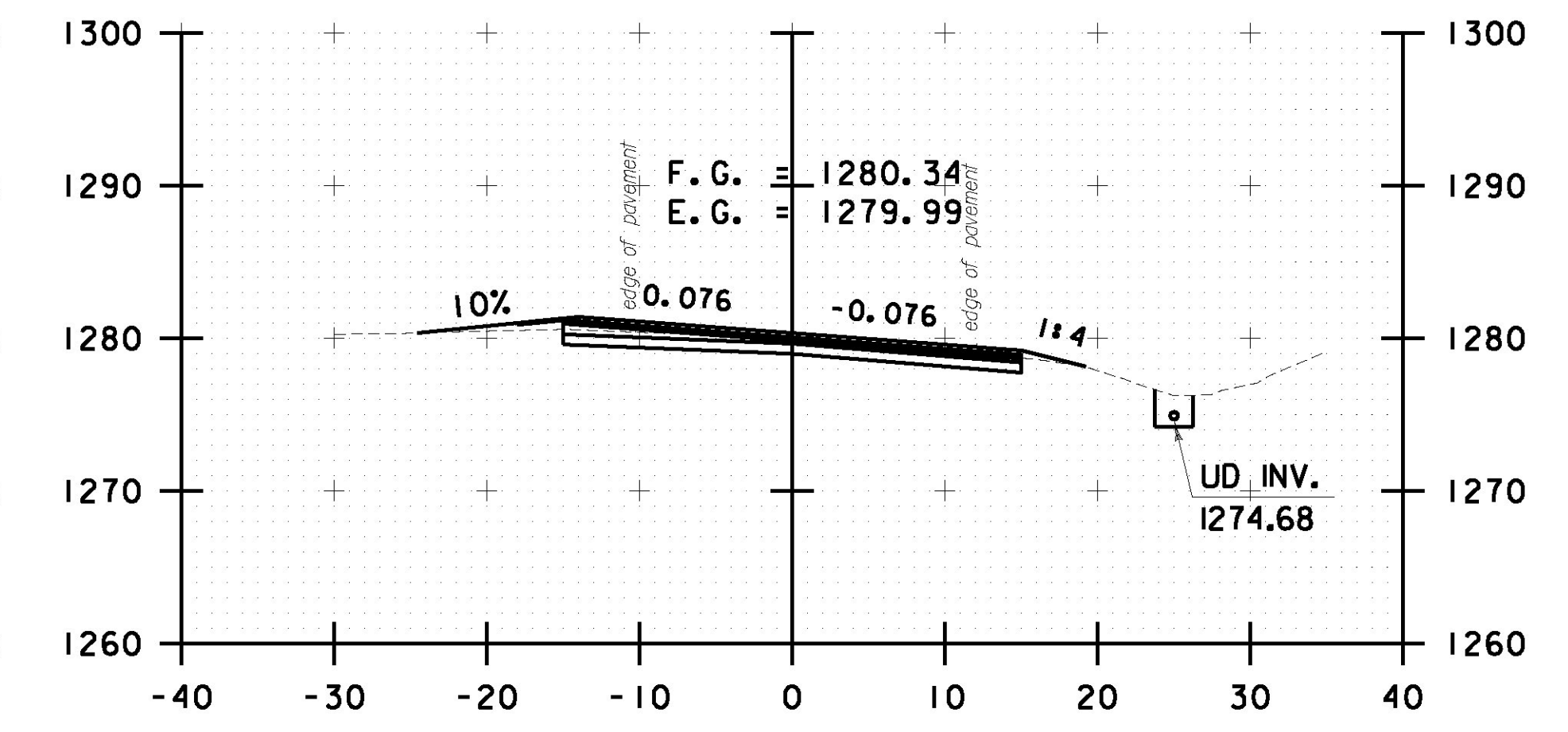
R 169+50.00



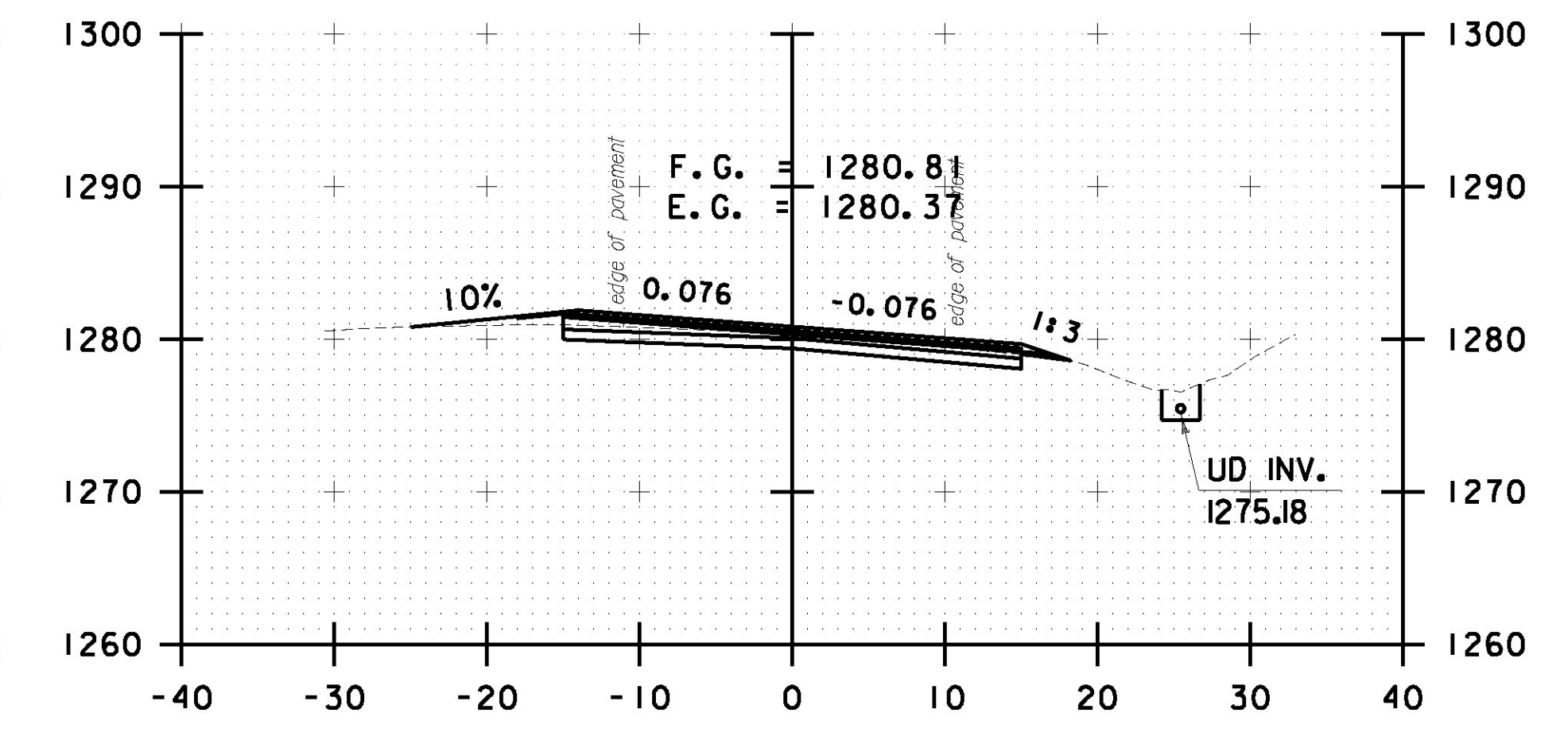
R 169+00.00



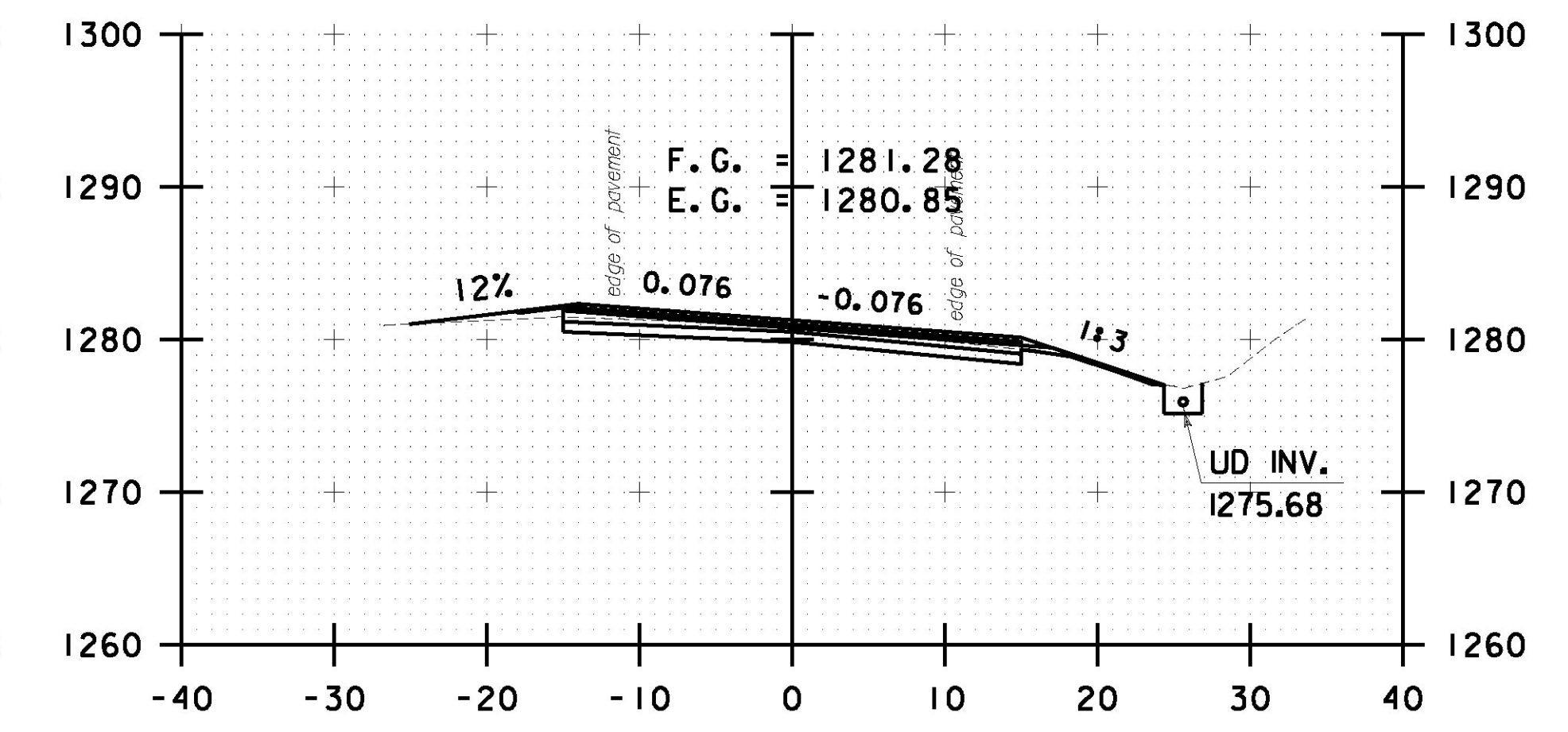
R 168+50.00



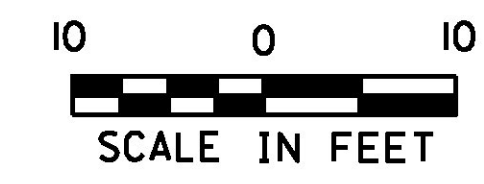
R 171+00.00



R 170+50.00



R 170+00.00



PROJECT NAME: ROCHESTER	
PROJECT NUMBER: ER STP 0162(21)	
FILE NAME: z13cl76xc.dgn	PLOT DATE: 1/12/2017
PROJECT LEADER: D. GOZALKOWSKI	DRAWN BY: J. HEALD
DESIGNED BY: J. OLSEN	CHECKED BY: J. SHIELDS
ROCHESTER CROSS SECTION SHEET #59	SHEET 245 OF 360