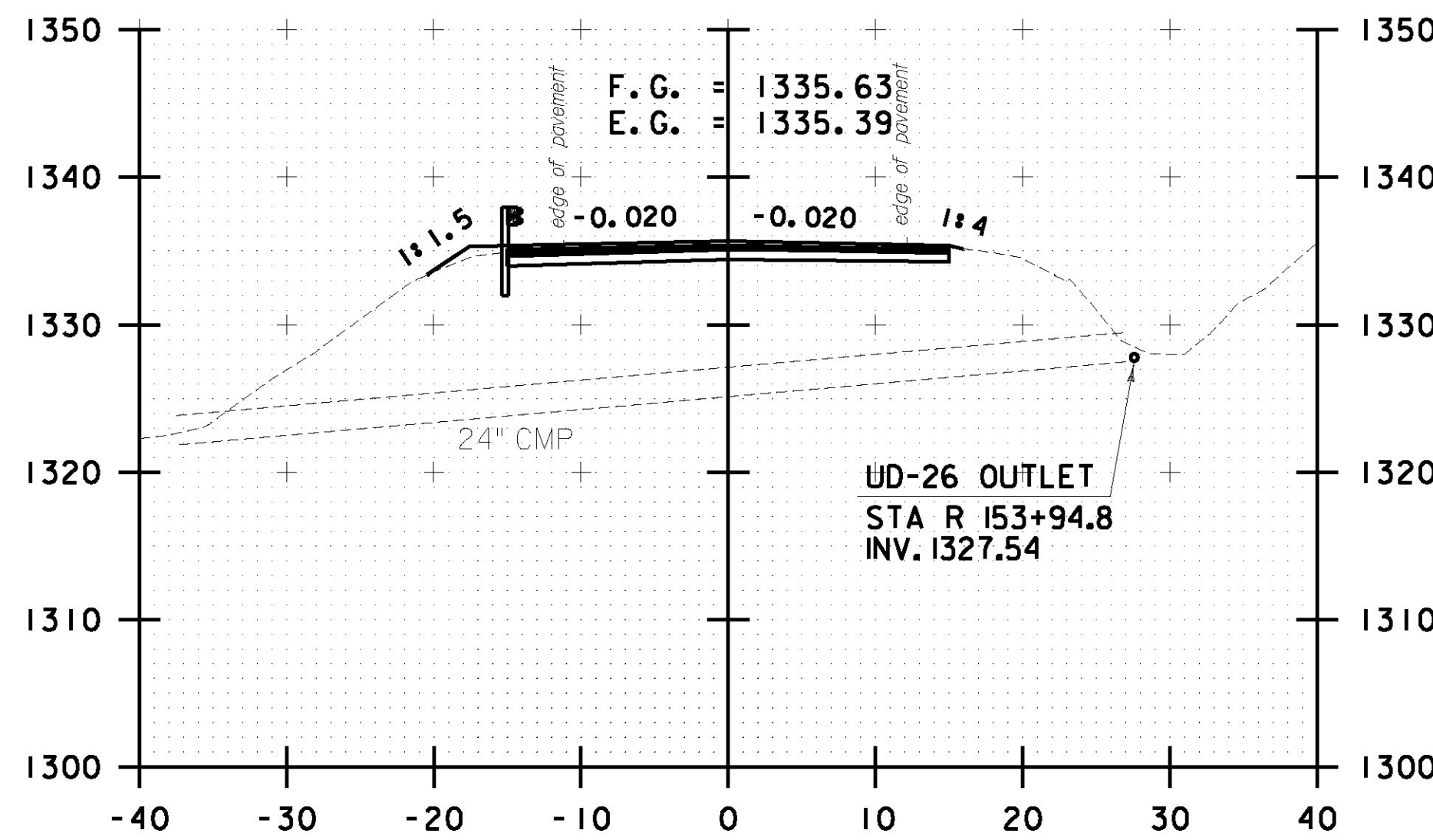
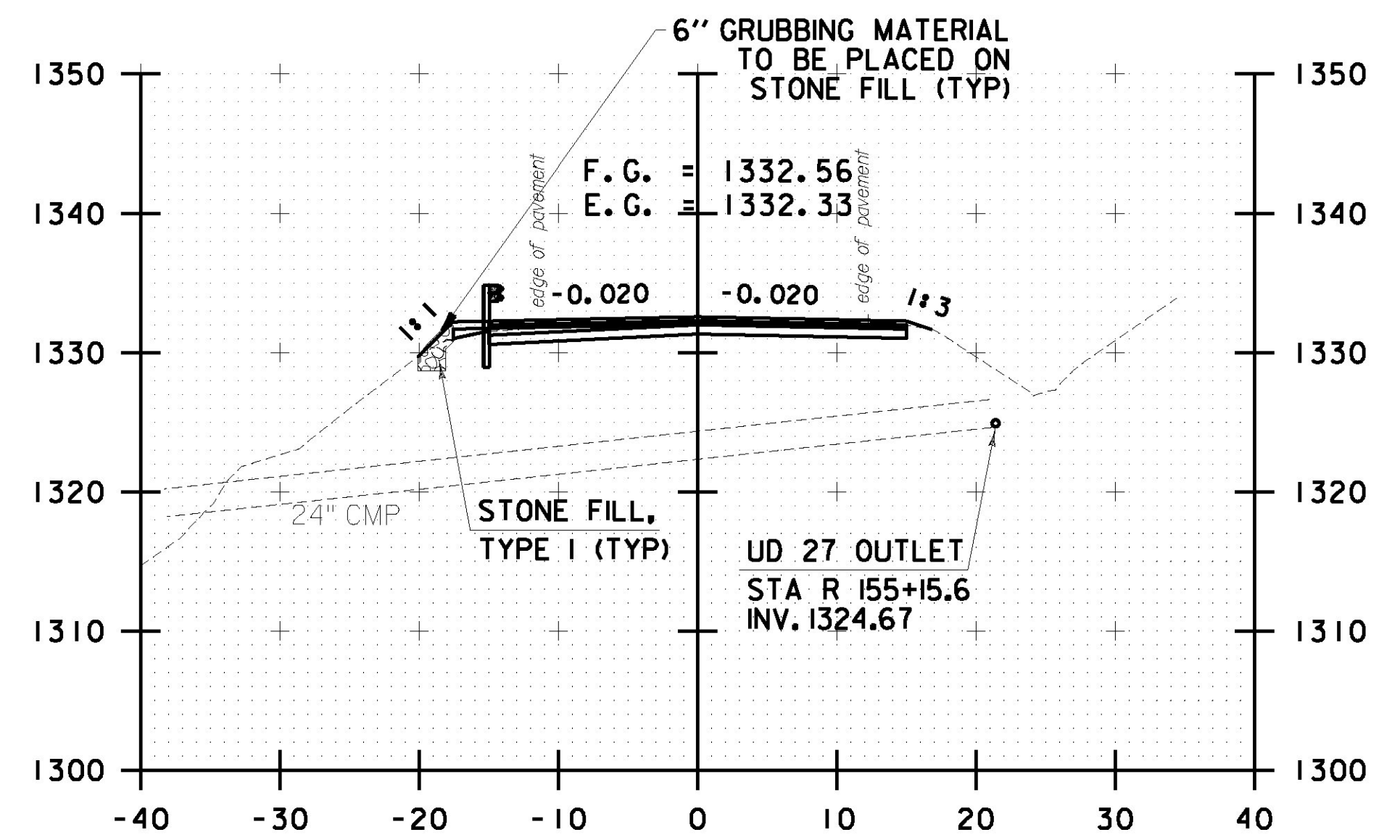


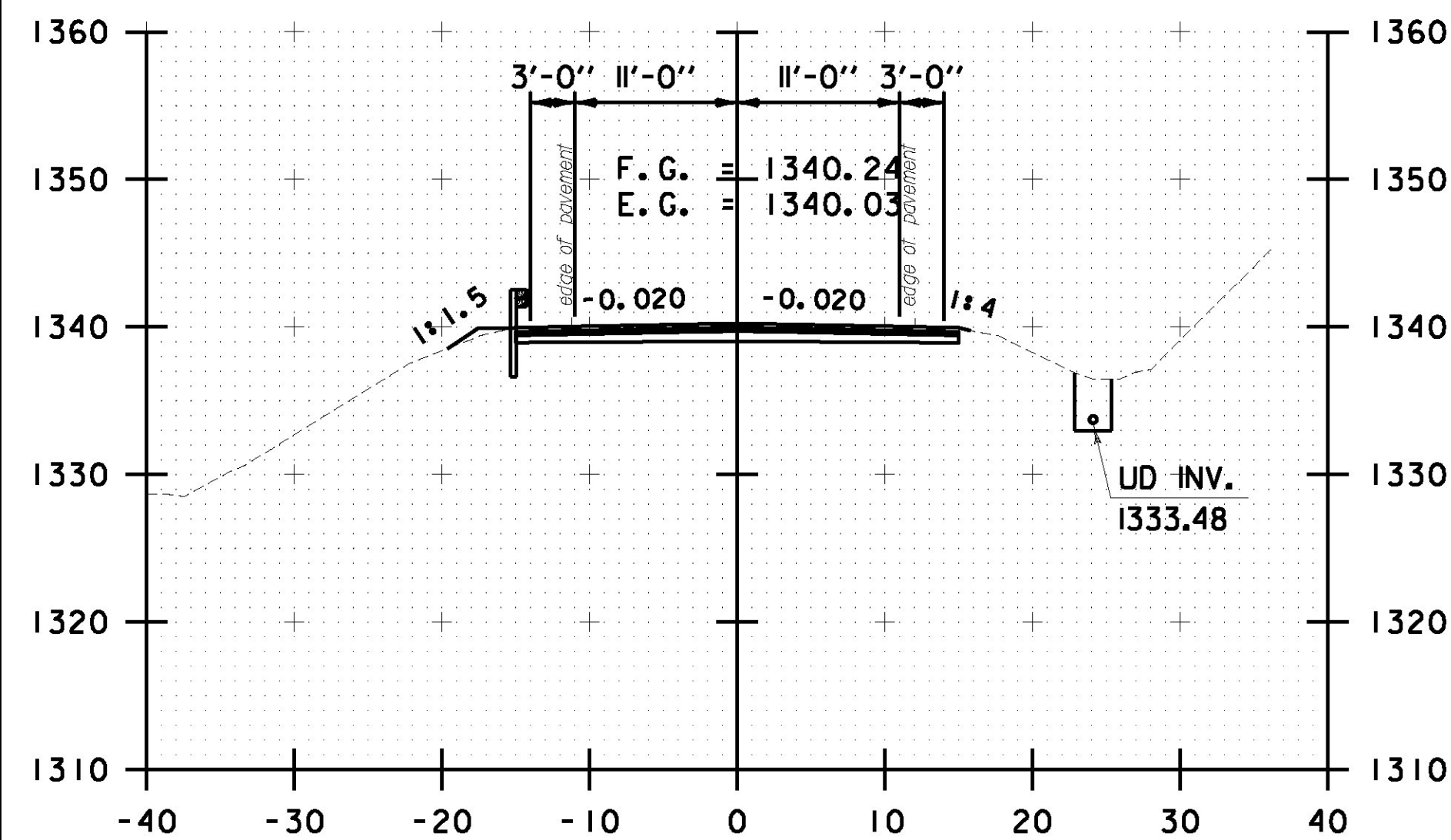
R 153+00.00



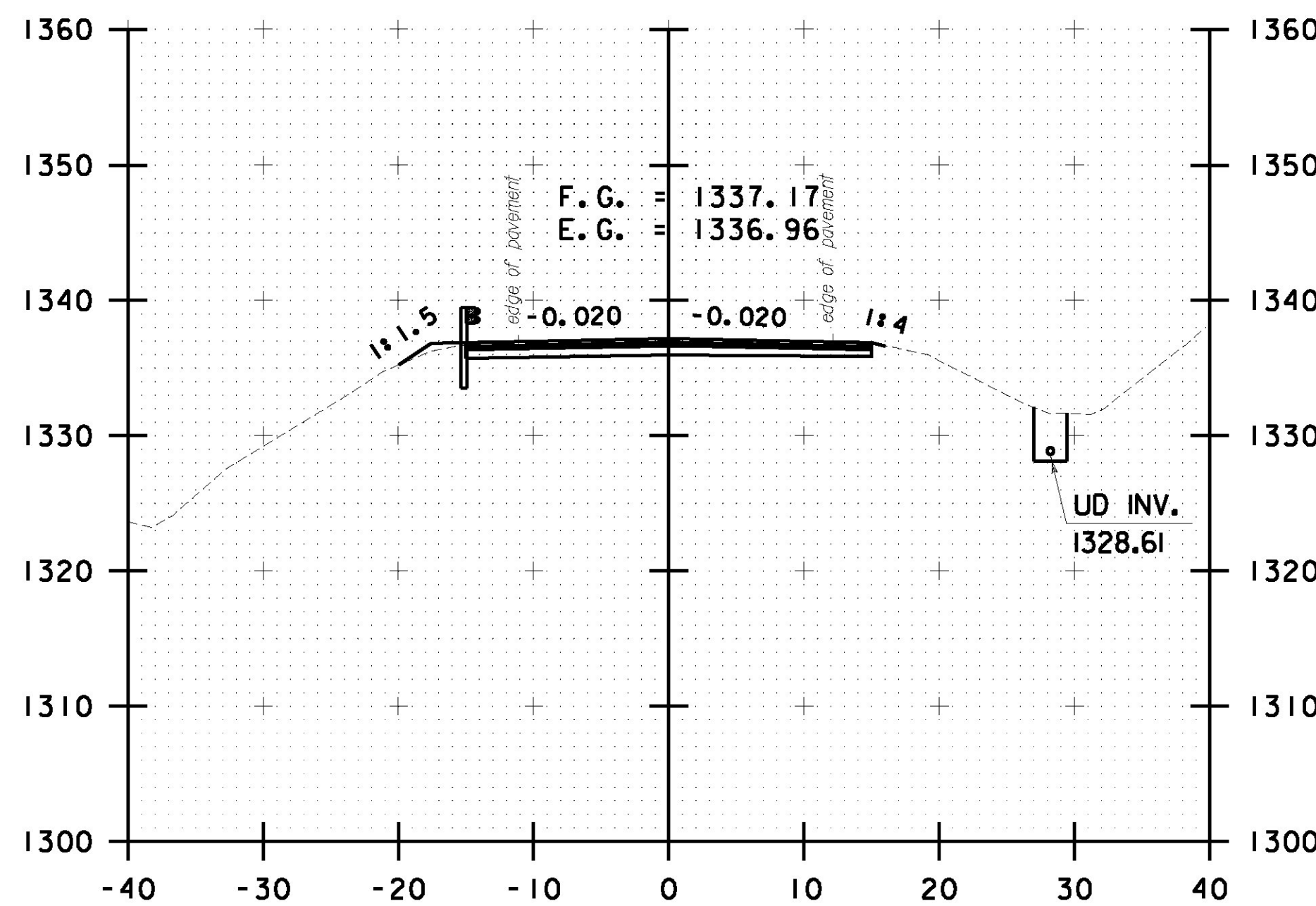
R 154+00.00



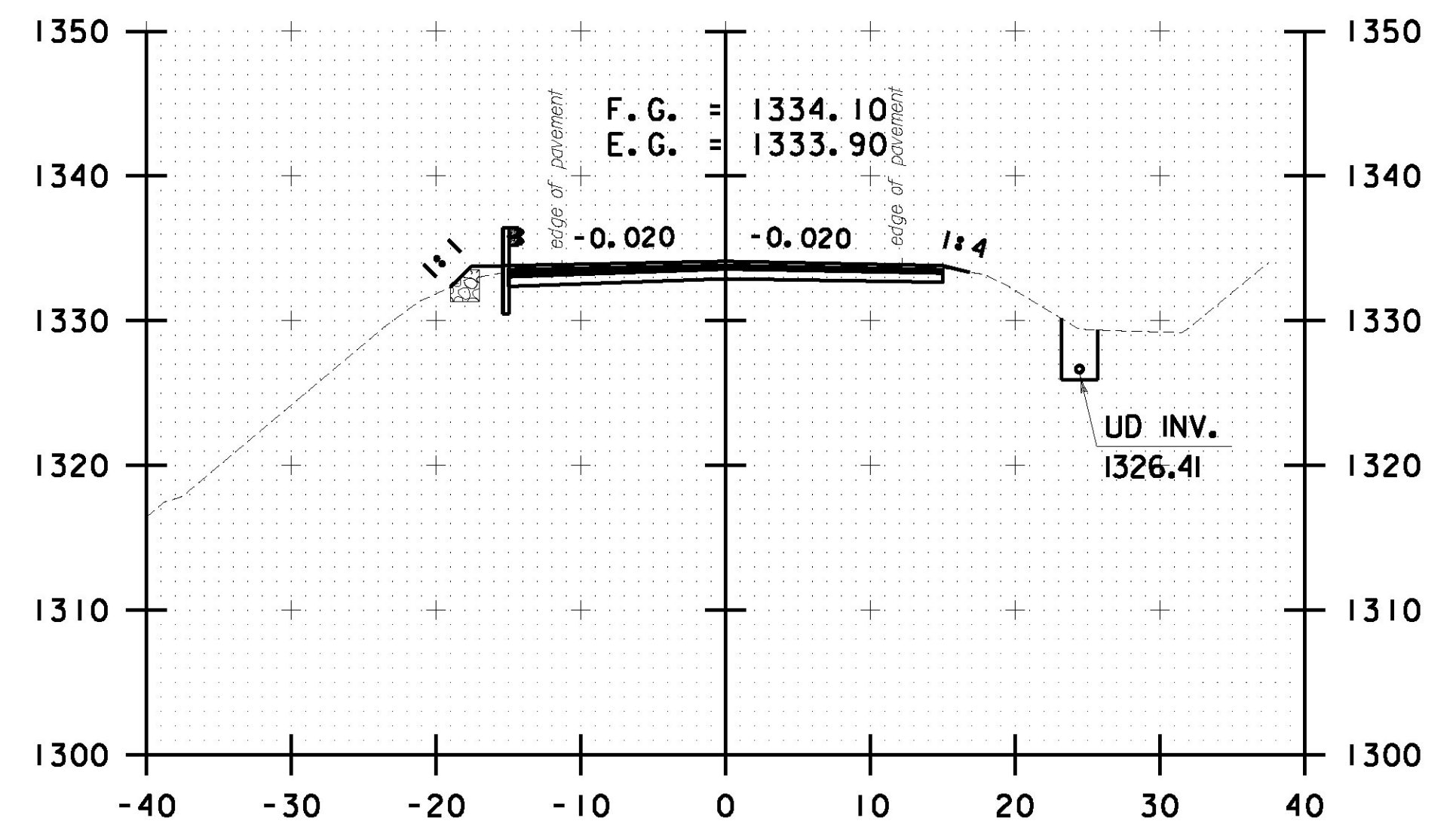
R 155+00.00



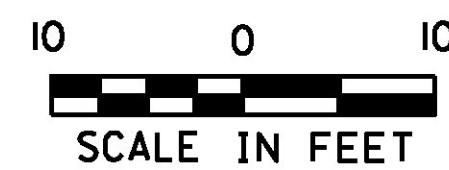
R 152+50.00



R 153+50.00



R 154+50.00



SCALE IN FEET



PROJECT NAME: ROCHESTER	
PROJECT NUMBER: ER STP 0162(21)	
FILE NAME: z13cl76xc.dgn	PLOT DATE: 1/12/2017
PROJECT LEADER: D. GOZALKOWSKI	DRAWN BY: J. HEALD
DESIGNED BY: J. OLSEN	CHECKED BY: J. SHIELDS
ROCHESTER CROSS SECTION SHEET #54	SHEET 240 OF 360