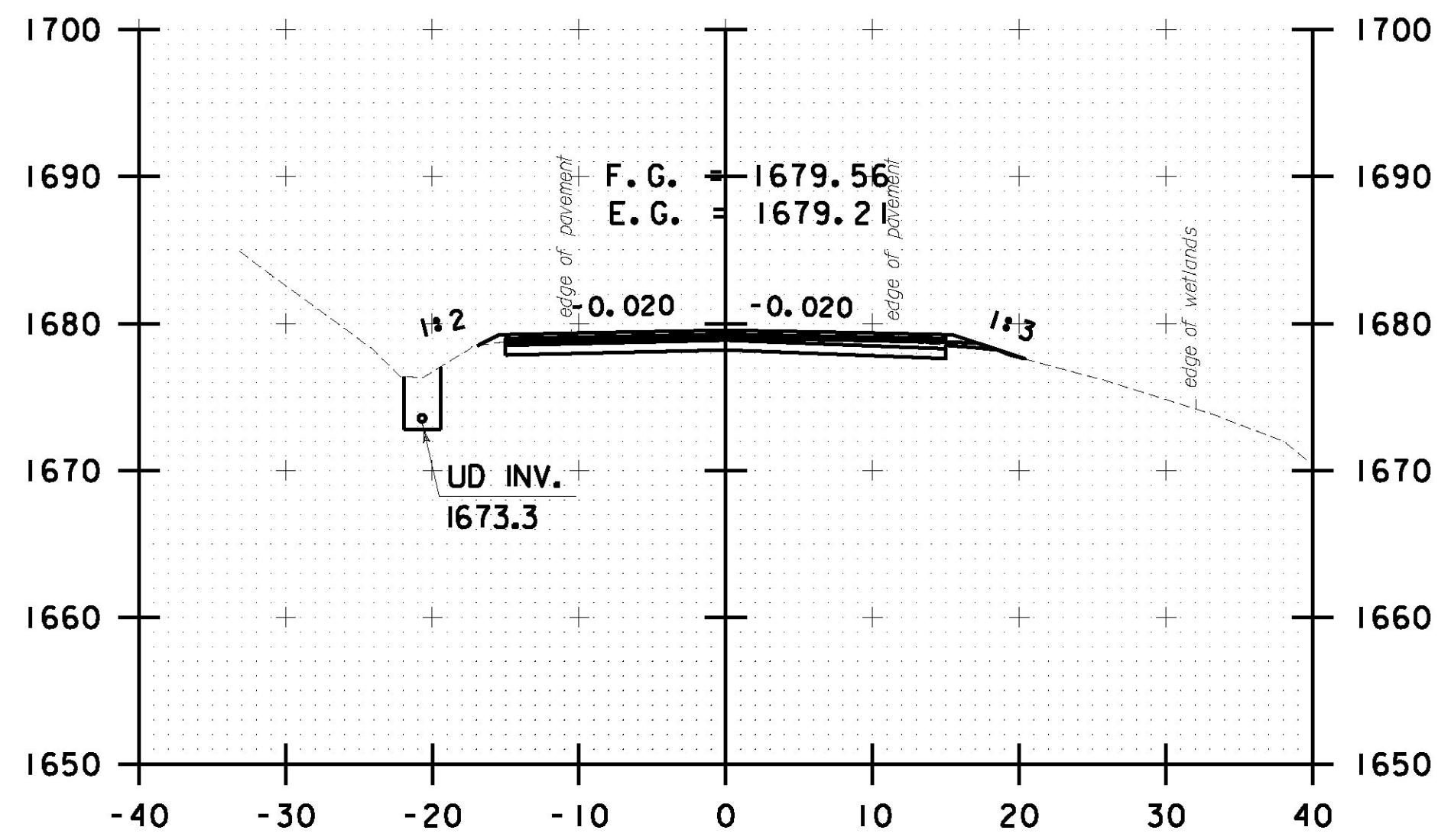
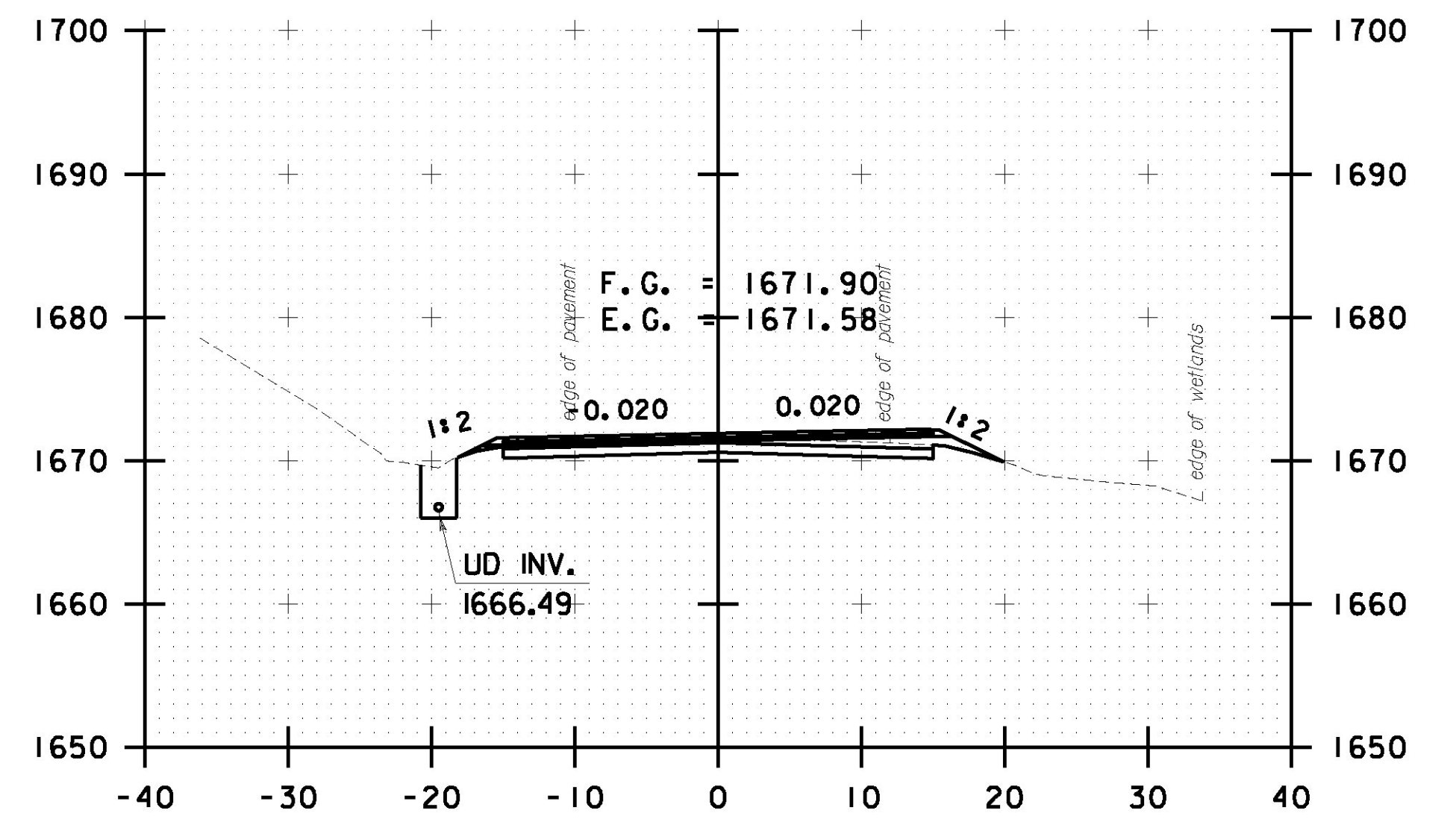


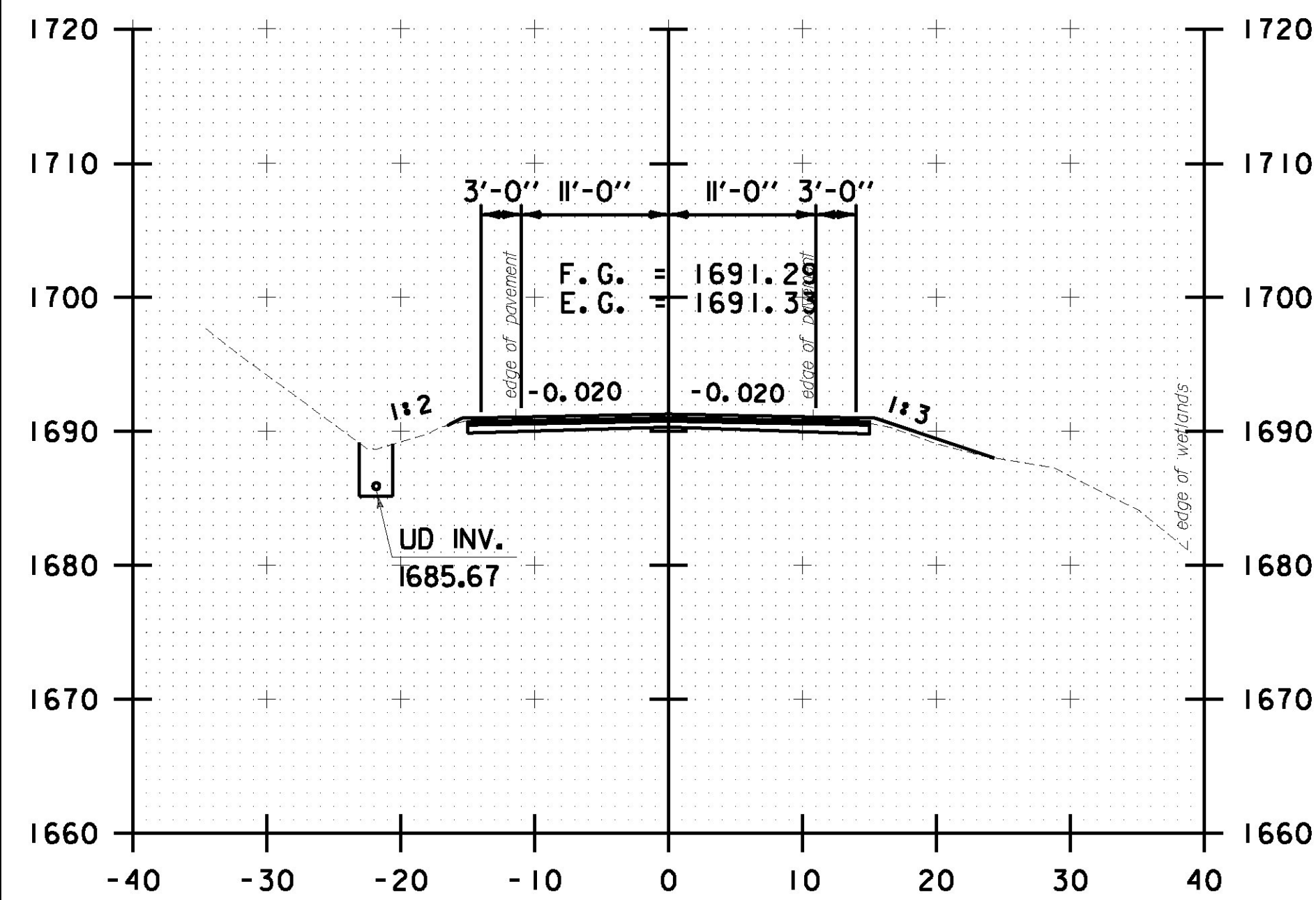
R 78+50.00



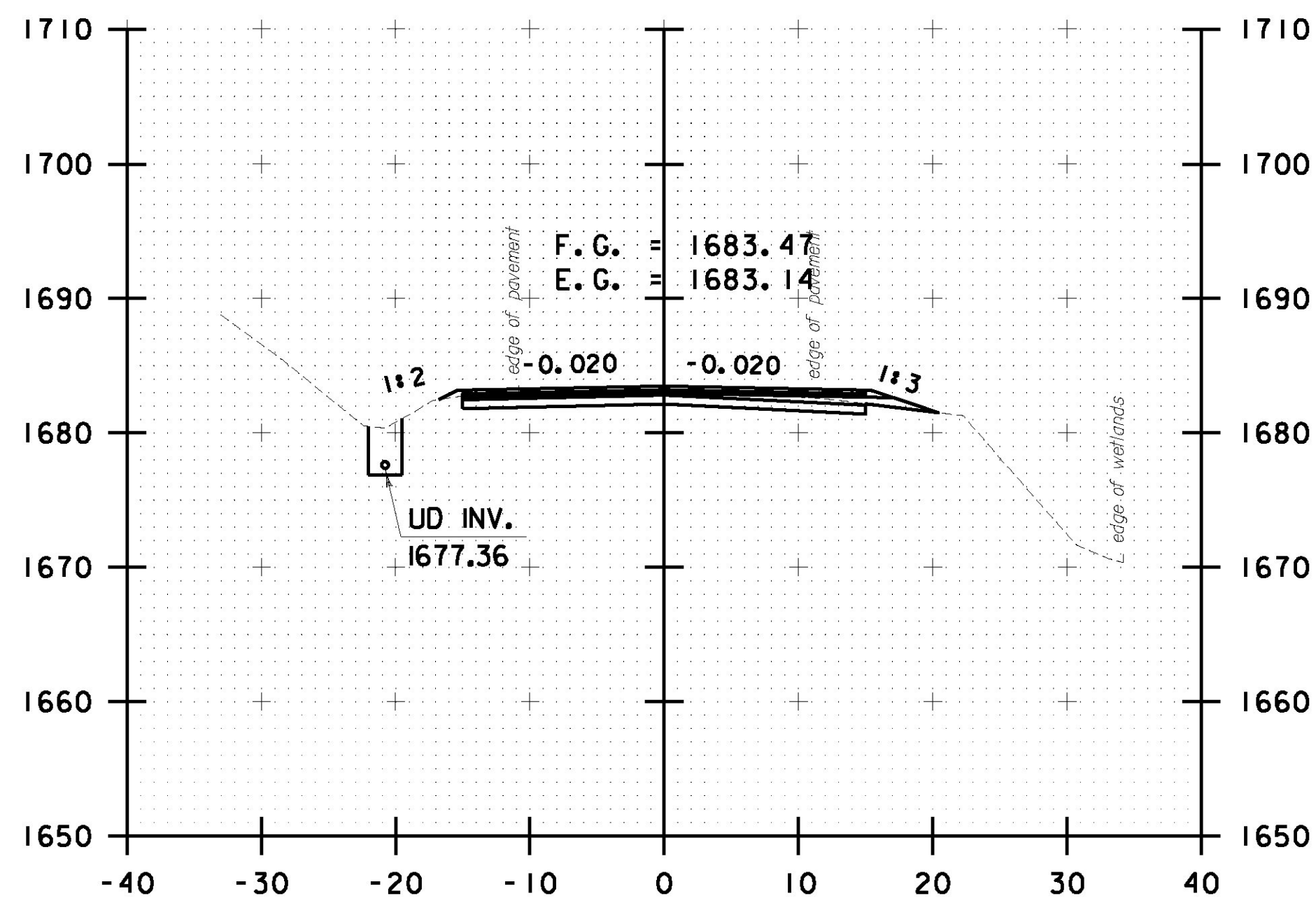
R 79+50.00



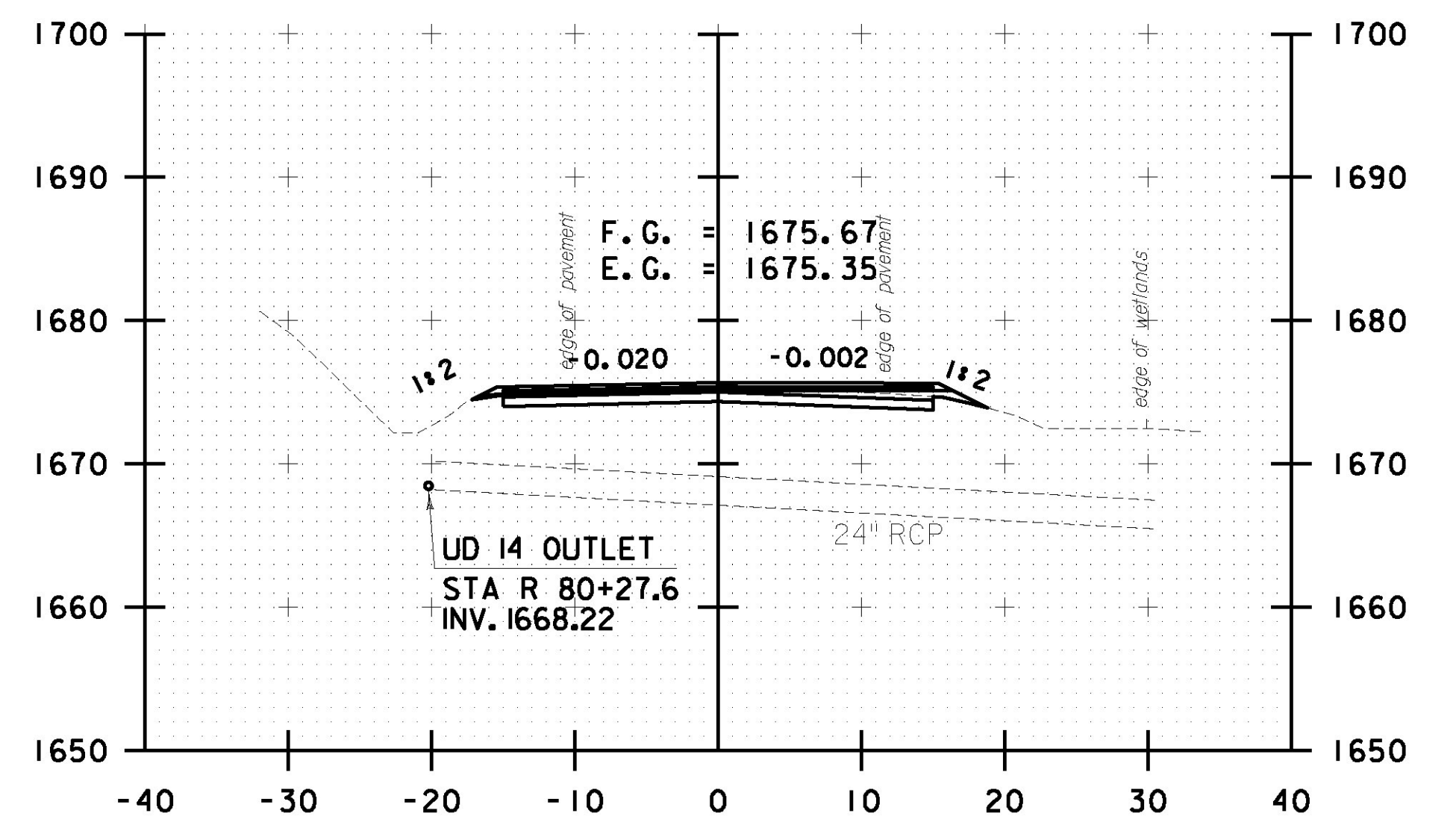
R 80+50.00



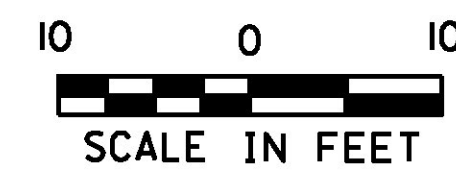
R 78+00.00



R 79+00.00



R 80+00.00



SCALE IN FEET



| | |
|-----------------------------------|------------------------|
| PROJECT NAME: ROCHESTER | |
| PROJECT NUMBER: ER STP 0162(21) | |
| FILE NAME: z13cl76xc.dgn | PLOT DATE: 1/12/2017 |
| PROJECT LEADER: D. GOZALKOWSKI | DRAWN BY: J. HEALD |
| DESIGNED BY: J. OLSEN | CHECKED BY: J. SHIELDS |
| ROCHESTER CROSS SECTION SHEET #28 | SHEET 214 OF 360 |