

**THINNING AND TRIMMING FOR SIGNS DETAIL**

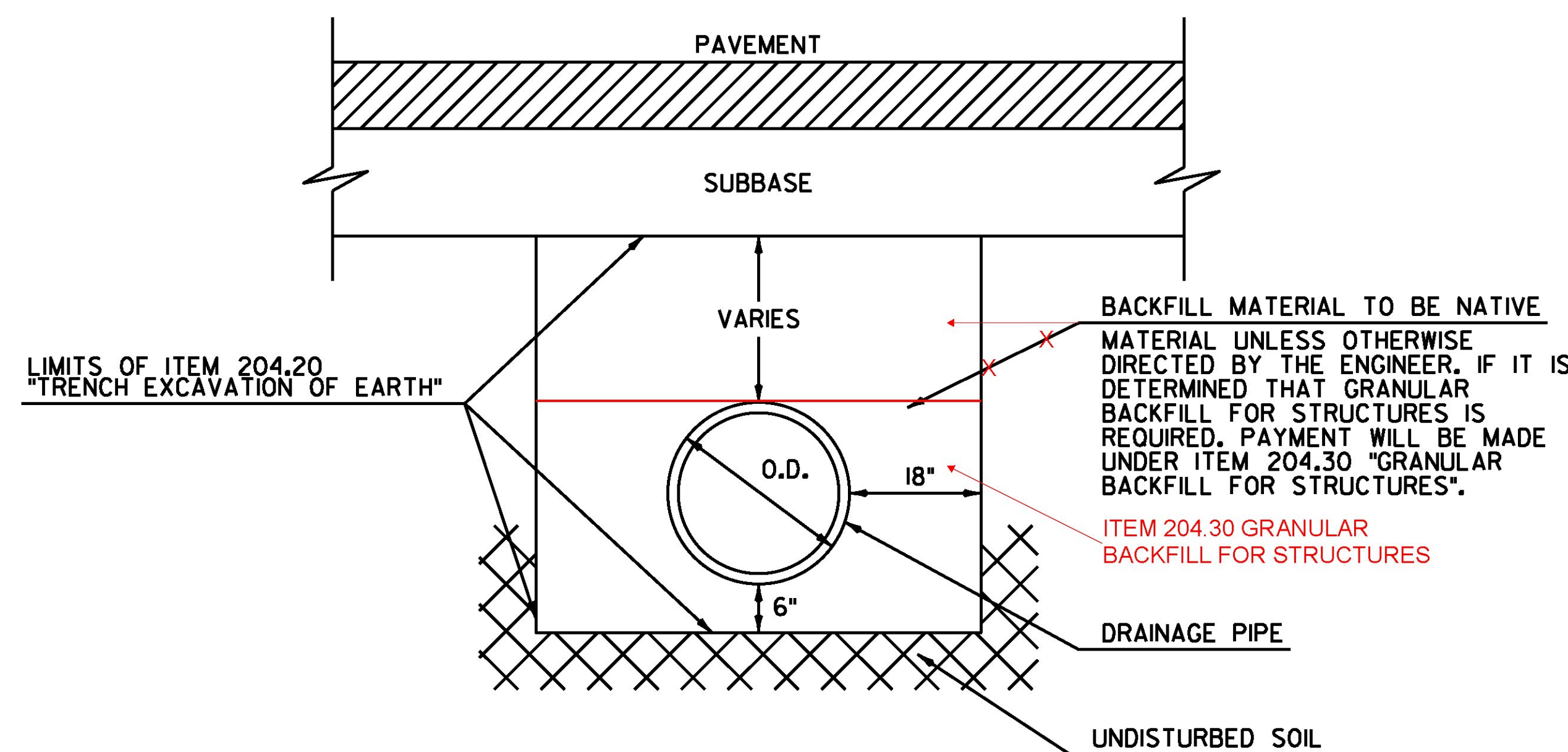
ROCHESTER  
 VT ROUTE 73: STA R-21+61.0-LT C 0+00 LT  
 STA R-347+50.0-RT R 354+25 LT  
 STA R-438+80.0-LT R 401+78 LT

**NOTES:**

1. THE CONTRACTOR SHALL REMOVE ALL WOODY STEMMED GROWTH INCLUDING BRUSH, SAPLINGS AND TREE LIMBS GROWING WITHIN OR PROJECTING INTO THE CLEARANCE AREA DOWN TO GROUND LEVEL OR AT LEAST 10 FEET BELOW THE BOTTOM OF THE SIGN, WHICHEVER IS LESS.
2. PAYMENT WILL BE MADE UNDER ITEM 201.31 AND WILL BE MEASURED AS A UNIT FOR EACH SIGN'S VIEWING AREA CLEARED AS DESIGNATED ABOVE.
3. NO CHEMICALS (POISONS OR DEFOLIANTS) WILL BE ALLOWED.

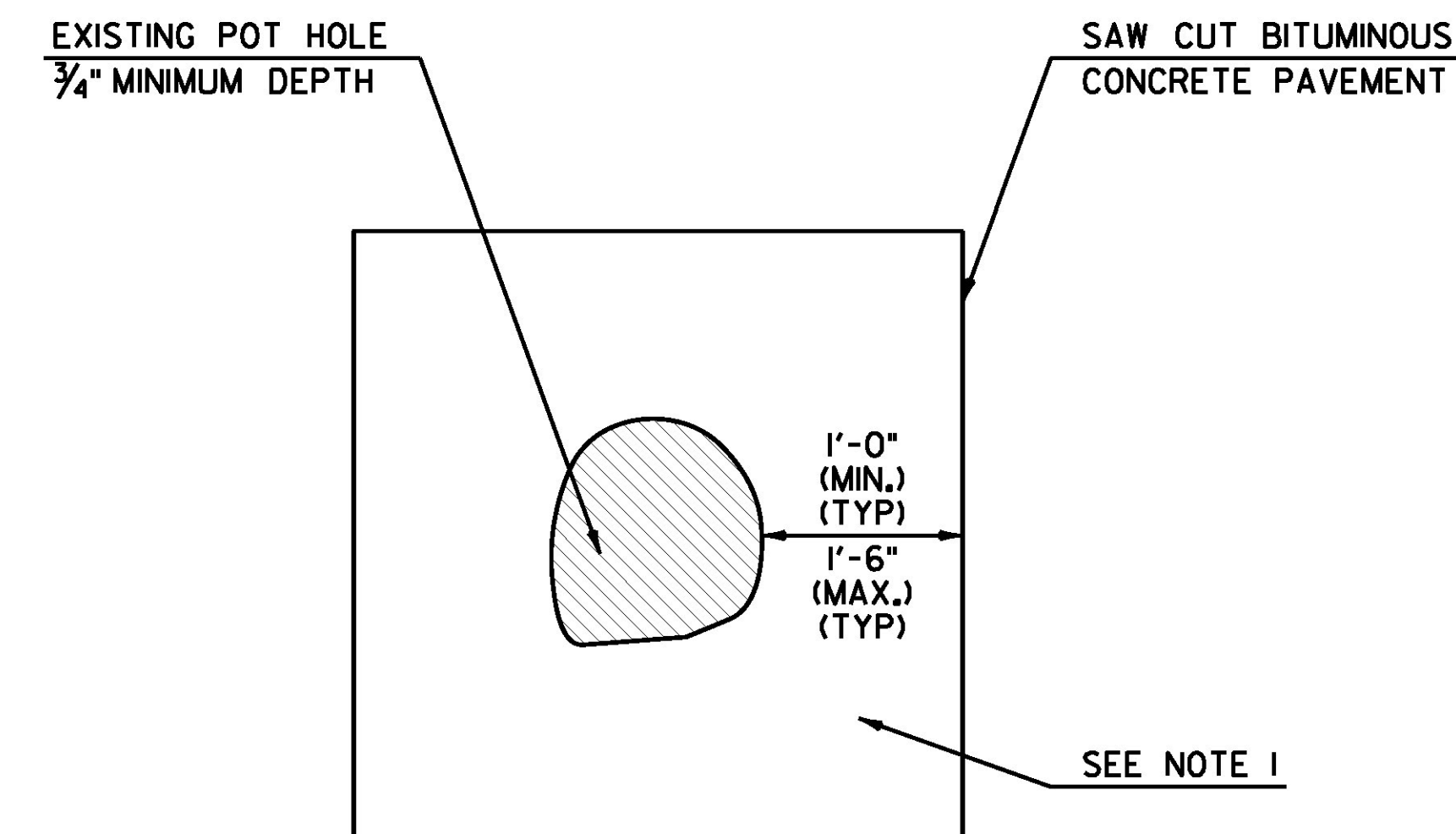
**MINIMUM SIGN SIGHT DISTANCE CHART**

APPROACH SPEED (mph)	SIGHT DISTANCE (feet)
30 OR LESS	300
35	350
40	400
45	450
50	500
55	550



**CULVERT ROADWAY CROSSING DETAIL**

VT. ROUTE 73 ROCHESTER: STA R 3+82.0, LT/RT  
 STA R 20+90.0, LT/RT  
 STA R 65+00.0, LT/RT  
 STA R 93+76.0, LT/RT  
 STA R 118+73.0, LT/RT  
 STA R 137+40.0, LT/RT  
 STA R 281+78.0, LT/RT  
 STA R 283+14.0, LT/RT  
 STA R 289+38.0, LT/RT  
 STA R 292+13.0, LT/RT  
 STA R 349+95.0, LT/RT  
 STA R 383+54.0, LT/RT



**TYPICAL - POT HOLE REPAIR**

**NOTE:**

1. EMULSIFIED ASPHALT SHALL BE APPLIED AT ALL PATCH INTERFACES AT A RATE OF 0.25 - 0.5 GAL./SY. EMULSIFIED ASPHALT SHALL MEET THE REQUIREMENTS OF SECTION 404 AND WILL BE CONSIDERED INCIDENTAL TO SPECIAL PROVISION (BITUMINOUS CONCRETE PAVEMENT SURFACE PREPARATION, TYPE II).

NOT TO SCALE



PROJECT NAME: ROCHESTER	
PROJECT NUMBER: ER STP 0162(21)	
FILE NAME: z13cl76md+02.dgn	PLOT DATE: 1/11/2017
PROJECT LEADER: D. GOZALKOWSKI	DRAWN BY: J. HEALD
DESIGNED BY: J. OLSEN	CHECKED BY: J. SHIELDS
MISCELLANEOUS DETAILS SHEET #2	SHEET 24 OF 360