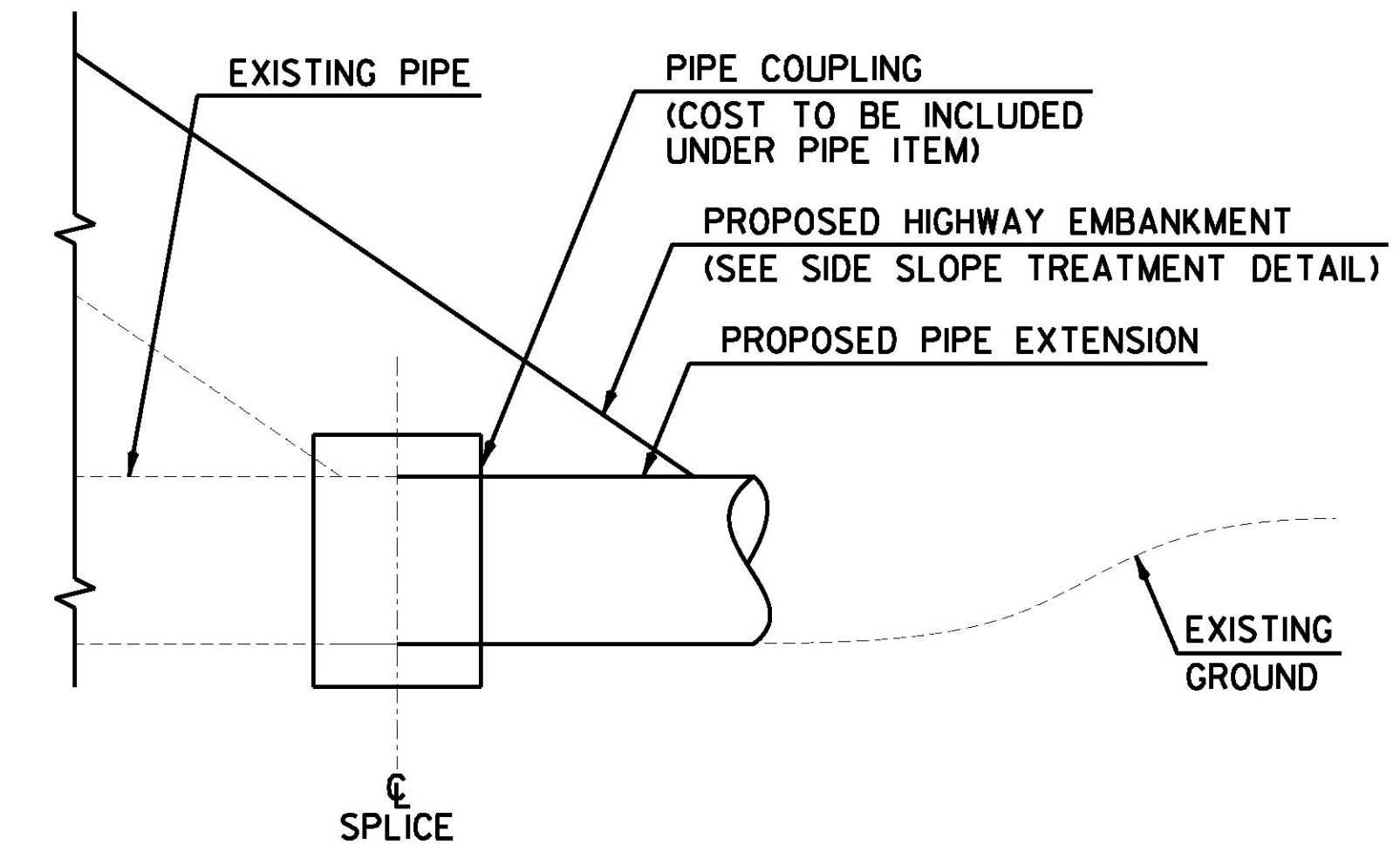


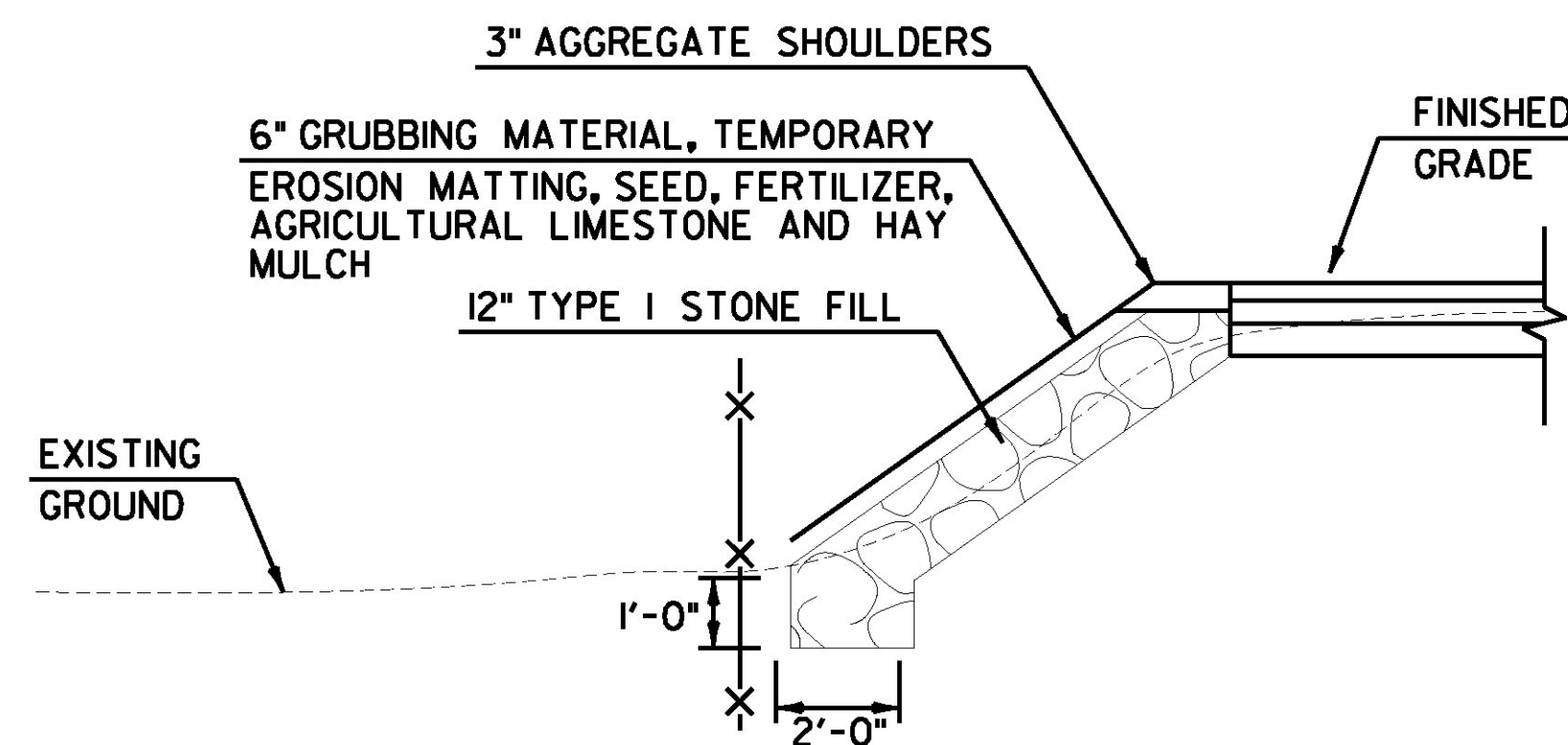
**FILL SLOPE DETAIL**  
(FOR SLOPES 1:1.5 OR FLATTER)

NOTE:

1. IF, DUE TO GROWING SEASON TIME CONSTRAINTS, IT IS DEEMED NECESSARY BY THE CONSTRUCTION ENVIRONMENTAL ENGINEER THAT A MORE RAPID VEGETATION ESTABLISHMENT IS REQUIRED, TWO INCHES OF GRUBBING MATERIAL SHALL BE PLACED ON THE SLOPE PRIOR TO PLACEMENT OF SEED, FERTILIZER, TEMPORARY EROSION MATTING, AND AGRICULTURAL LIMESTONE. PLACEMENT OF THE GRUBBING MATERIAL WILL BE PAID FOR AT THE CONTRACT UNIT PRICE PER SQUARE YARD OF ITEM 651.40 GRUBBING MATERIAL (2").



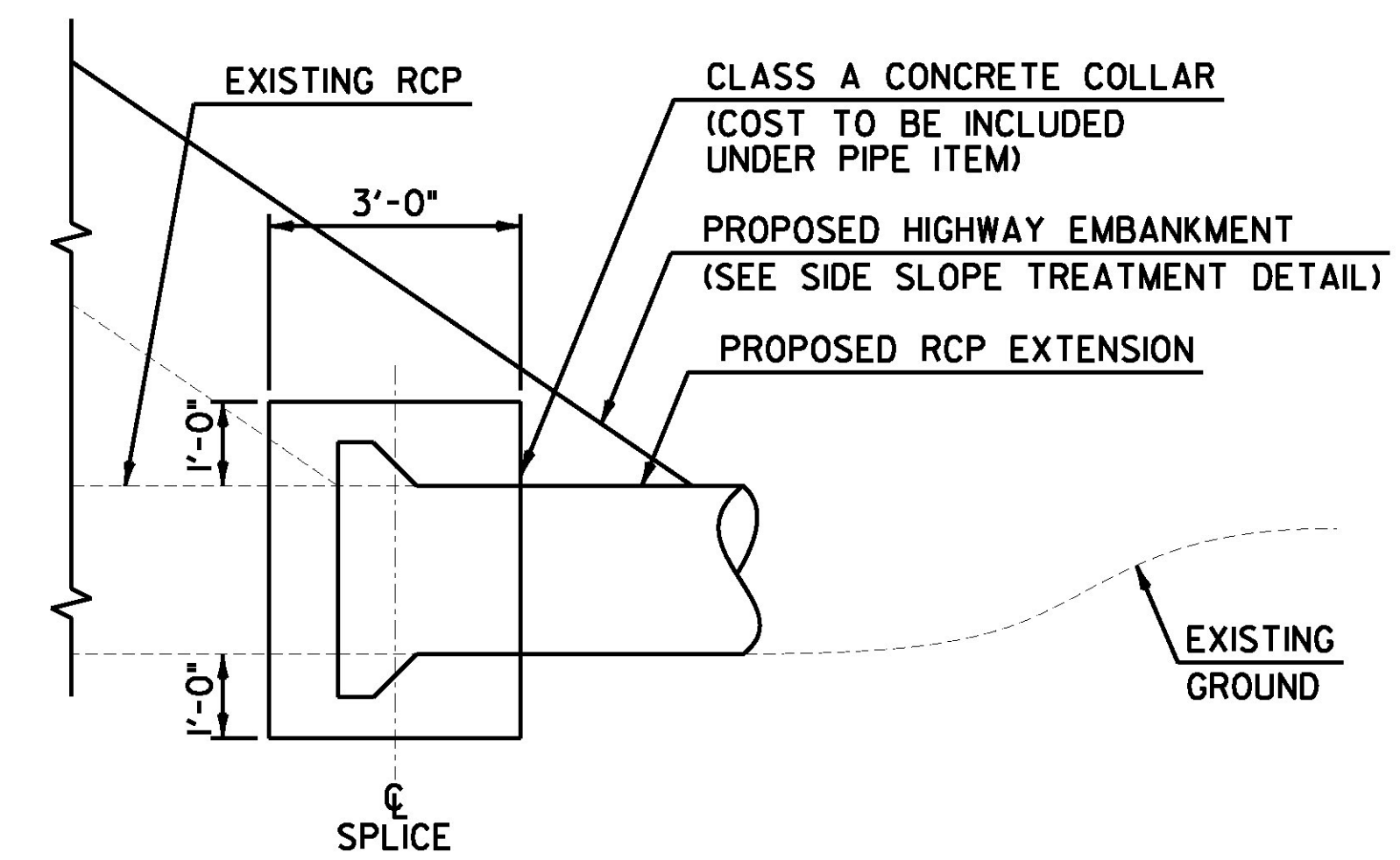
**PIPE EXTENSION DETAIL FOR METAL OR PLASTIC PIPES**



**FILL SLOPE WITH STONE FILL DETAIL**

NOTES:

1. STONE FILL TO BE PLACED ON SLOPES STEEPER THAN 1:1.5
2. ANY EXCAVATION REQUIRED TO INSTALL STONE SHALL BE PAID FOR UNDER ITEM 608.25 "ALL PURPOSE EXCAVATOR RENTAL, TYPE I"



**PIPE EXTENSION DETAIL FOR REINFORCED CONCRETE PIPES**

NOT TO SCALE



PROJECT NAME: ROCHESTER  
PROJECT NUMBER: ER STP 0162(21)

FILE NAME: z13cl76md+01.dgn  
PROJECT LEADER: D. GOZALKOWSKI  
DESIGNED BY: J. OLSEN  
MISCELLANEOUS DETAILS SHEET #1

PLOT DATE: 1/11/2017  
DRAWN BY: J. HEALD  
CHECKED BY: J. SHIELDS  
SHEET 23 OF 360