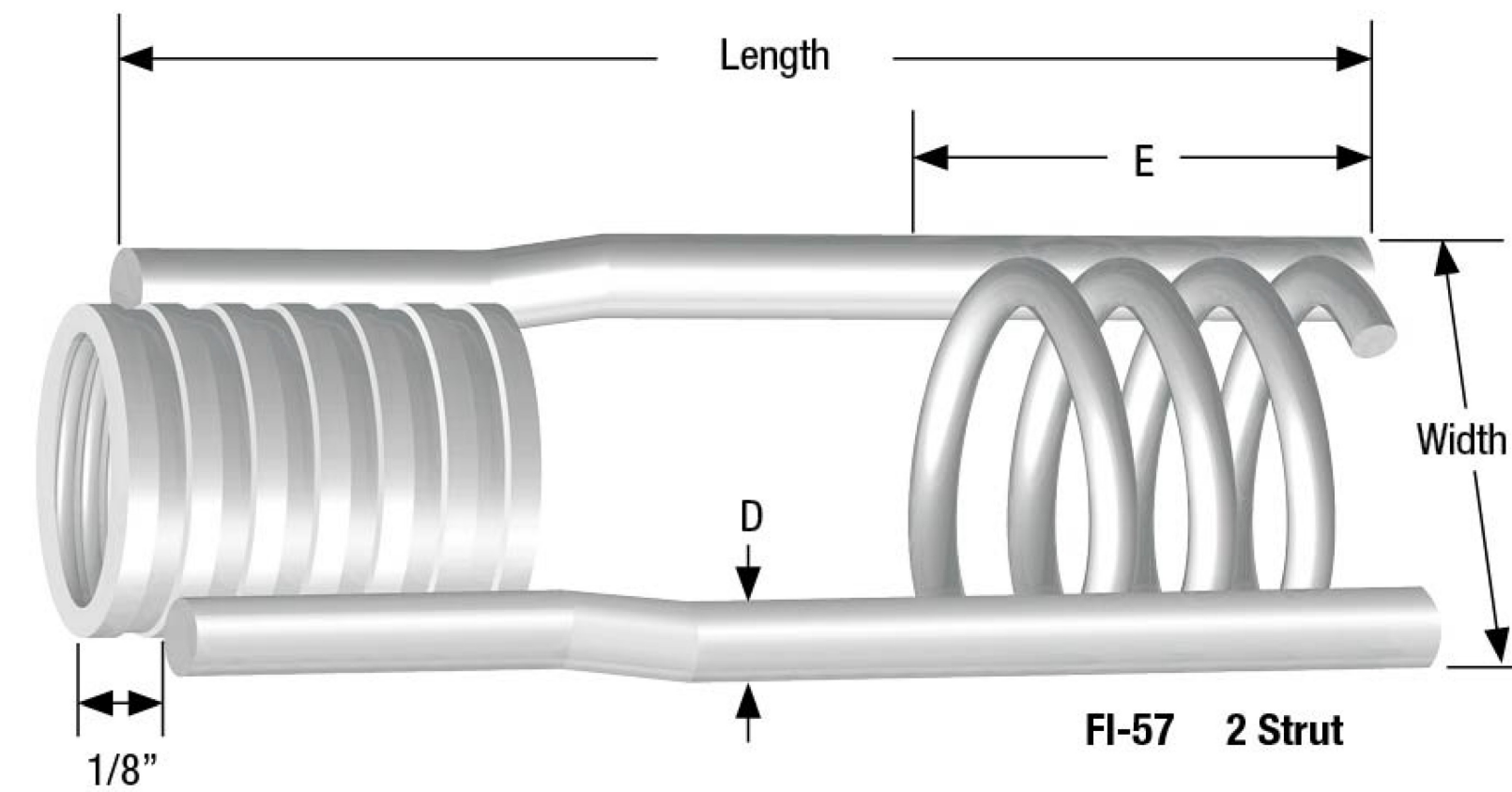


INSERTS

FI-57, FI-59, FI-61: EXPANDED COIL, FERRULE INSERT

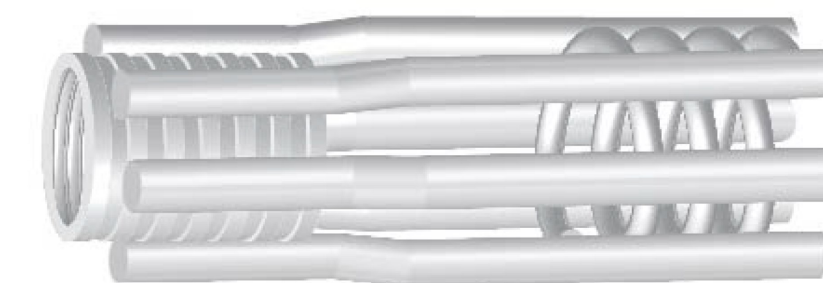


The Expanded Coil, Ferrule Insert is a high-strength, highly versatile insert available for numerous precast concrete applications. It is available in 3/4", 1", 1-1/4" and 1-1/2" bolt diameters. The insert is constructed with a NC threaded ferrule, shaped struts (two, four or six depending on model) and an expanded wire coil. This efficient design increases the shear cone surface area thus increasing the load capacity of the insert. Insert is available in plated finish.

Standard inserts not designed for use with hot dip galvanized bolts.



FI-59 4 Strut



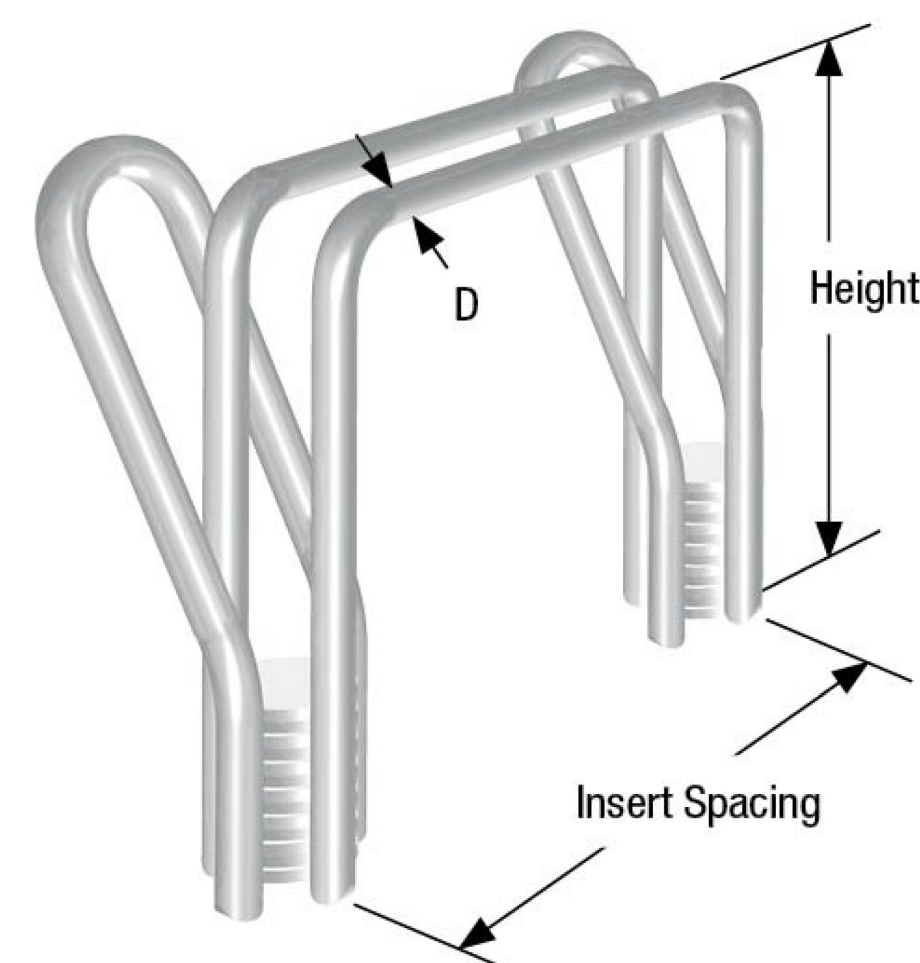
FI-61 6 Strut

EXPANDED COIL, FERRULE INSERT DIMENSIONS AND LOAD CHART

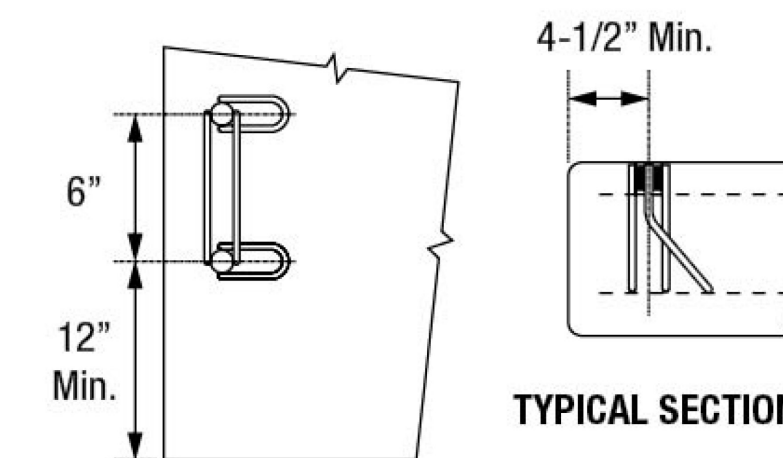
Part Number	Bolt Diameter	Threads per Inch (N.C.)	Length	Width	# of Struts	Wire Diameter D	E	Insert Ultimate Mechanical Capacity (lbs)	In-Concrete Capacity, 3:1 SWL		
									Min. Edge Distance	Tension (lbs)	Shear (lbs)
FI5734412P	3/4"	10	4-1/2"	2-3/8"	2	0.375"	1-5/8"	17,670	14"	5,890	5,890
FI571512P	1"	8	5-1/2"	2-7/8"	2	0.440"	2-1/8"	24,300	16"	8,100	8,100
FI59114712P	1-1/4"	7	7-1/2"	3-1/8"	4	0.440"	2-7/8"	39,930	18"	13,310	13,310
FI61112912P	1-1/2"	6	9-1/2"	3-3/8"	6	0.440"	3-7/8"	56,040	22"	18,680	18,680

Safe Working Load is based on 3,000 psi concrete and insert setback 1/2" from the concrete surface.

FI-WW: WING WALL ANCHOR



Fabricated for a precast concrete retaining wall which forms a wing wall for a precast concrete culvert unit, the Wing Wall Anchor supports a concrete footer projecting laterally from the wing wall into the back-filled soil behind the wing wall. Insert is available in plated finish.



WING WALL ANCHOR DIMENSIONS

Part Number	Bolt Diameter	Insert Spacing	Height	Wire Diameter D	In-Concrete Capacity, 3:1 SWL	
					Tension (lbs)	Shear (lbs)
FIWW166P	1"	6"	6"	0.375"	8,500	4,500
FIWW168P	1"	6"	8"	0.375"	8,500	4,500

Safe Working Load is based on 3,000 psi concrete and insert setback 1/2" from the concrete surface.

Standard inserts not designed for use with hot dip galvanized bolts.