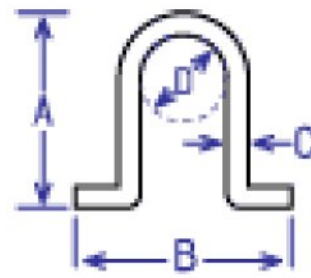
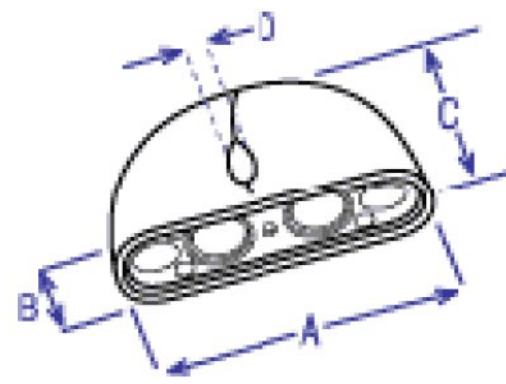

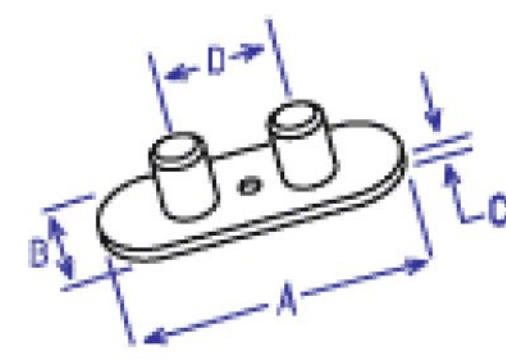




PO Box 736 ■ Stevenson, CT 06491
 www.oxfordtechusa.com
 Phone: (203) 268-6030
 Fax: (203) 445-1240
 info@oxfordtechusa.com

Oxford Lift System®

Anchors & Accessories

Anchor	Product Code	A	B	C	D	Unit Weight
	A 500-3	3.00"	6.25"	(1/2") .500"	2.00"	.625 lbs.
	A 500-4	4.00"	6.25"	(1/2") .500"	2.00"	.75 lbs.
	A 500-5	5.00"	6.25"	(1/2") .500"	2.00"	.775 lbs.
	A 750-5	4.75"	7.50"	(3/4") .750"	3.00"	1.75 lbs.
	A 750-7	6.75"	7.50"	(3/4") .750"	3.00"	2.00 lbs.
Block Out	Product Code	A	B	C	D	Unit Weight
	B 500	7.00"	2.00"	3.00"	(1/2") .500"	1.10 lbs.
	Void Dimensions					
	Shown without Anchor					
	B 750	8.00"	3.00"	4.00"	(3/4") .750"	3.50 lbs.
	Void Dimensions					
Shown without Anchor						
Mounting Plate	Product Code	A	B	C	D	Unit Weight
	SMP 500 (Snap-On Mounting Plate)	6.50"	1.50"	(3/8") .375"	2.25"	7.95 lbs.
	MMP 500 (Magnetic Mounting)	6.50"	1.50"	(3/8") .375"	2.25"	.900 lbs.