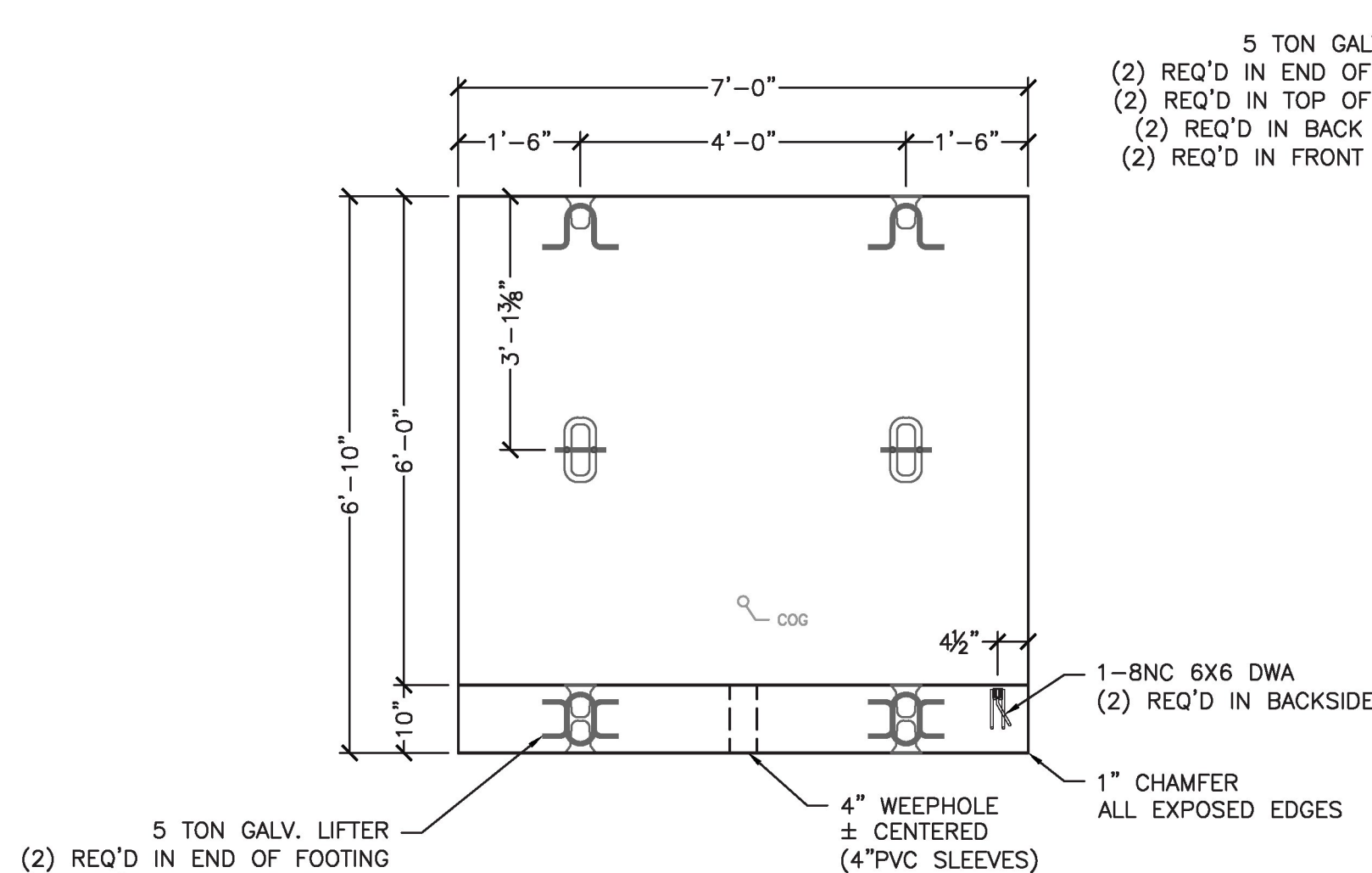


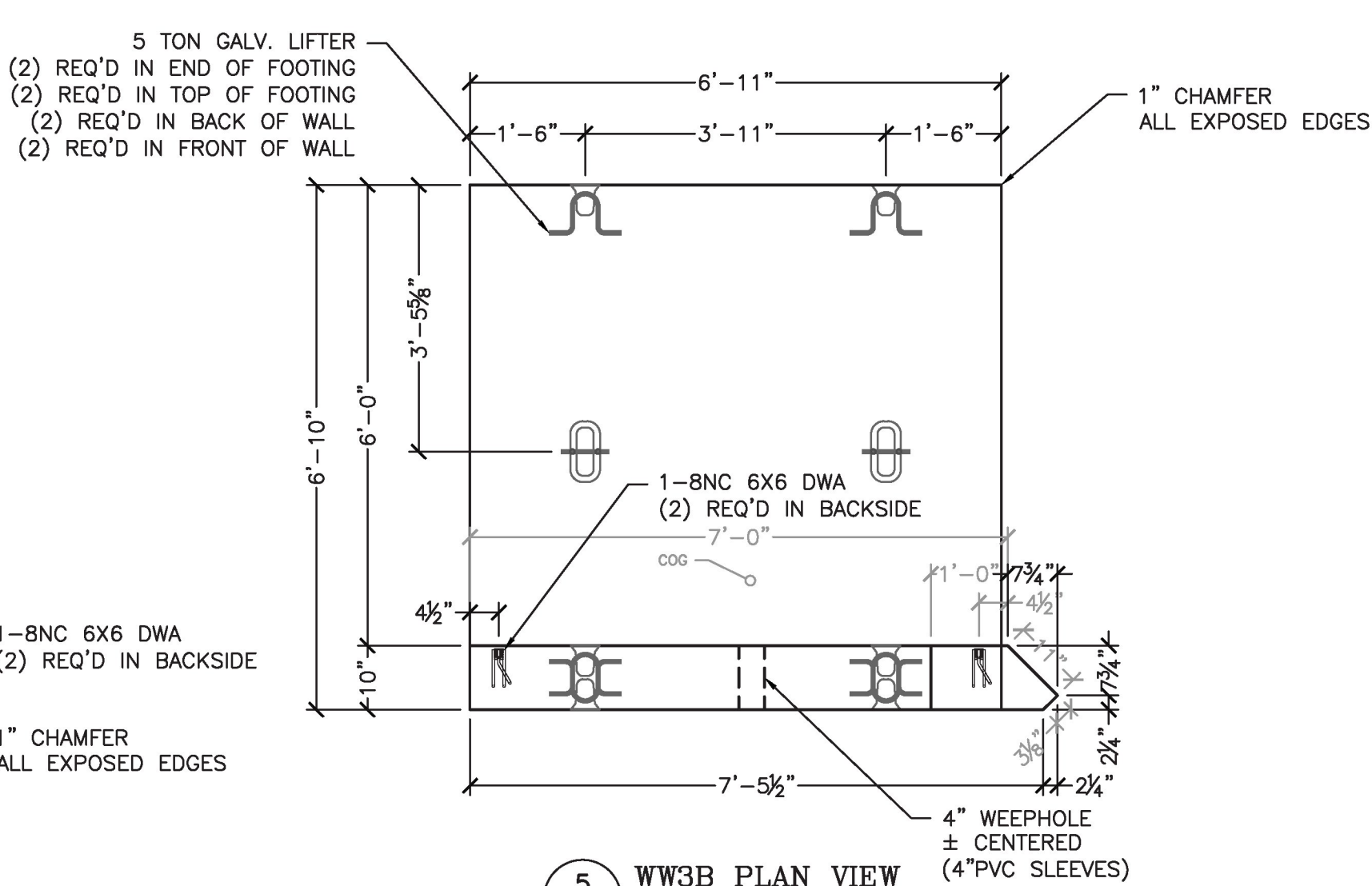
1 HW2 PLAN VIEW
S3.0
1/2" = 1'-0"

HW2 - 1 REQ'D
ITEM NUMBER: 275600
UNIT WEIGHT AND VOLUME:
FOOTING: 3.63CY (15,245#)
WALL: 3.03CY (12,730#)
TOTAL WEIGHT: 27,975#



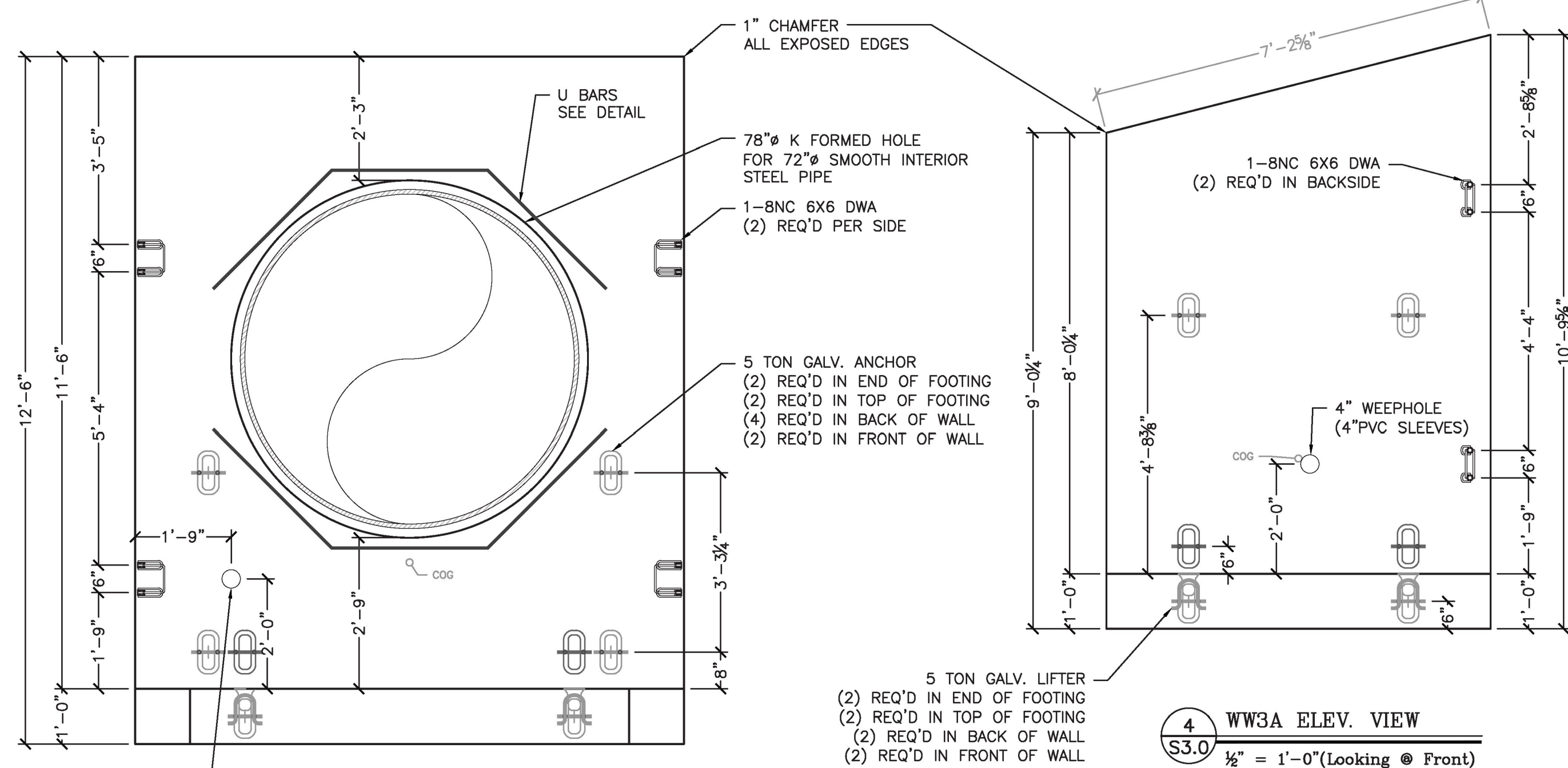
3 WW3A PLAN VIEW
S3.0
1/2" = 1'-0"

WW3A - 1 REQ'D
ITEM NUMBER: 275600
UNIT WEIGHT AND VOLUME:
FOOTING: 1.77CY (7,440#)
WALL: 1.93CY (8,100#)
TOTAL WEIGHT: 15,540#



5 WW3B PLAN VIEW
S3.0
1/2" = 1'-0"

WW3B - 1 REQ'D
ITEM NUMBER: 275600
UNIT WEIGHT AND VOLUME:
FOOTING: 1.75CY (7,350#)
WALL: 2.42CY (10,164#)
TOTAL WEIGHT: 17,514#

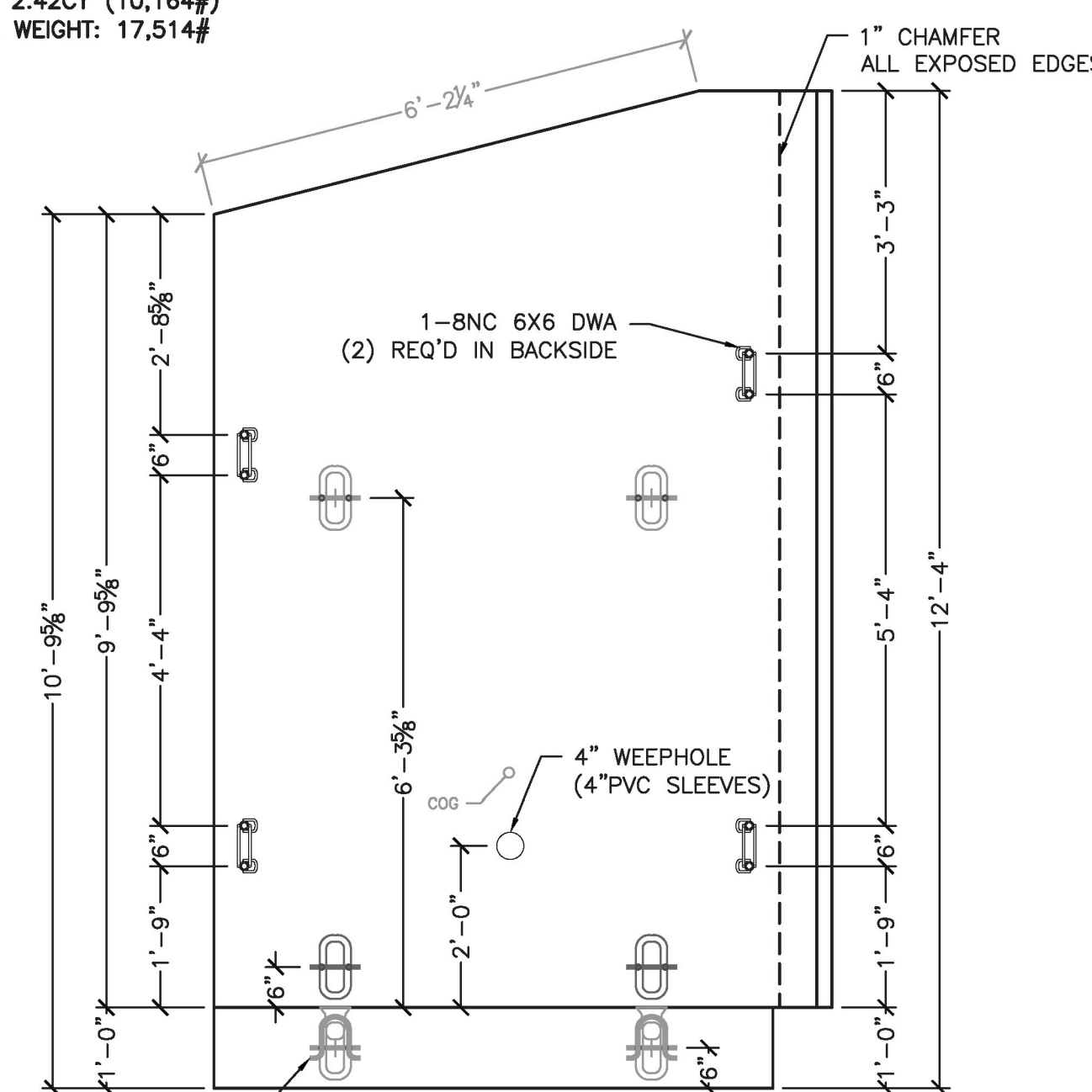


2 HW2 ELEV. VIEW
S3.0
1/2" = 1'-0" (Looking @ Front)

5 TON GALV. LIFTER
(2) REQ'D IN END OF FOOTING
(2) REQ'D IN TOP OF FOOTING
(2) REQ'D IN BACK OF WALL
(2) REQ'D IN FRONT OF WALL

4 WW3A ELEV. VIEW
S3.0
1/2" = 1'-0" (Looking @ Front)

5 TON GALV. LIFTER
(2) REQ'D IN END OF FOOTING
(2) REQ'D IN TOP OF FOOTING
(2) REQ'D IN BACK OF WALL
(2) REQ'D IN FRONT OF WALL



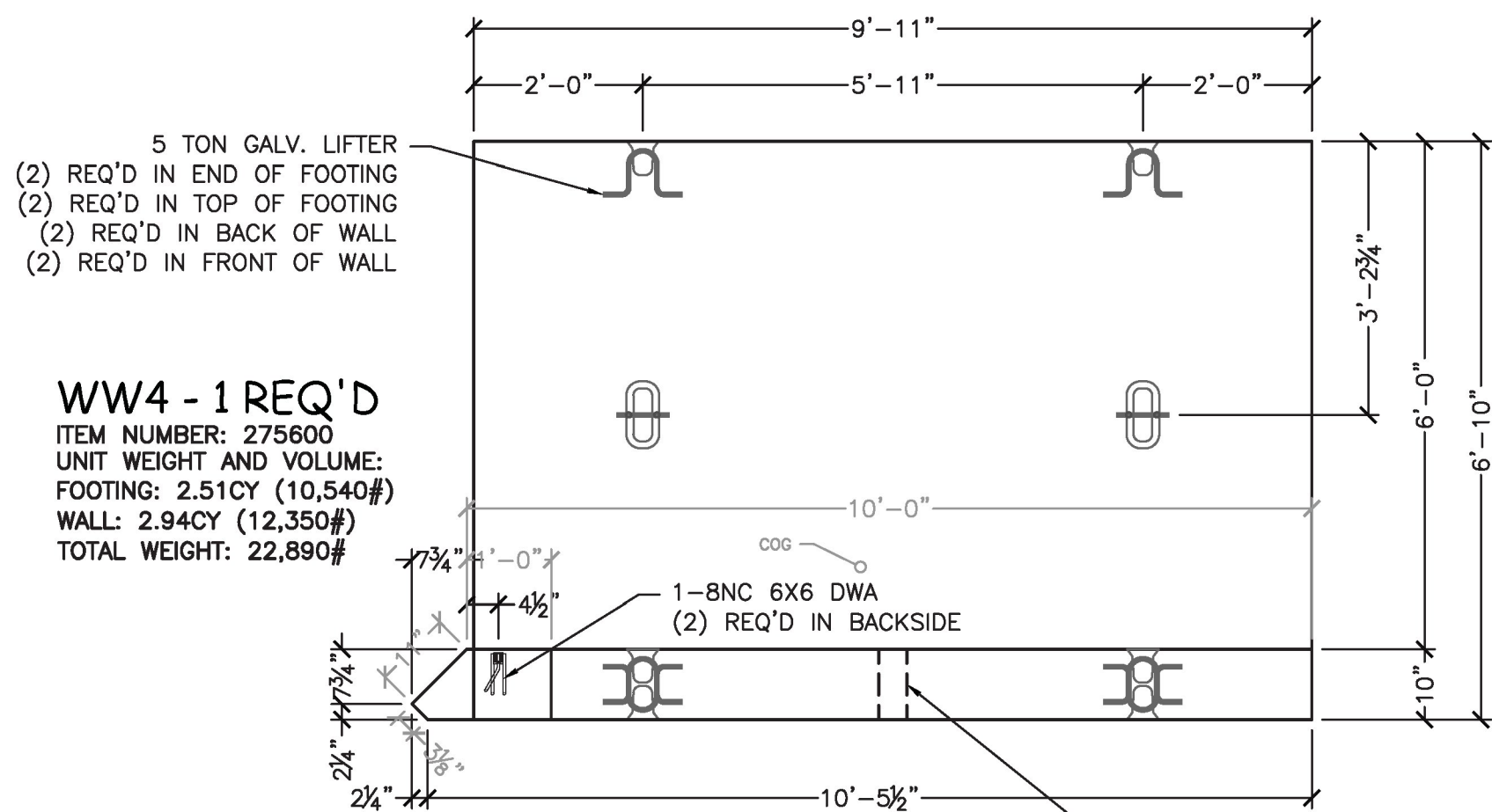
6 WW3B ELEV. VIEW
S3.0
1/2" = 1'-0" (Looking @ Front)

WW3A REINFORCING SCHEDULE

MARK	TYPE	SIZE	SPACING	QTY	LENGTH
LOC1	STR	#5	6"	14	9'-7 1/2"
LOC1A	LBAR	#5	6"	14	4'-9"
LOC2	STR	#4	12"	7	9'-7 1/2"
LOC2A	LBAR	#4	12"	7	4'-9"
LOC3	STR	#4	12"	20	6'-8"
LOC5	HOOK	#5	6"	14	7'-1"
LOC6	STR	#4	12"	14	6'-8"
LOC7	STR	#4	12"	7	6'-6"

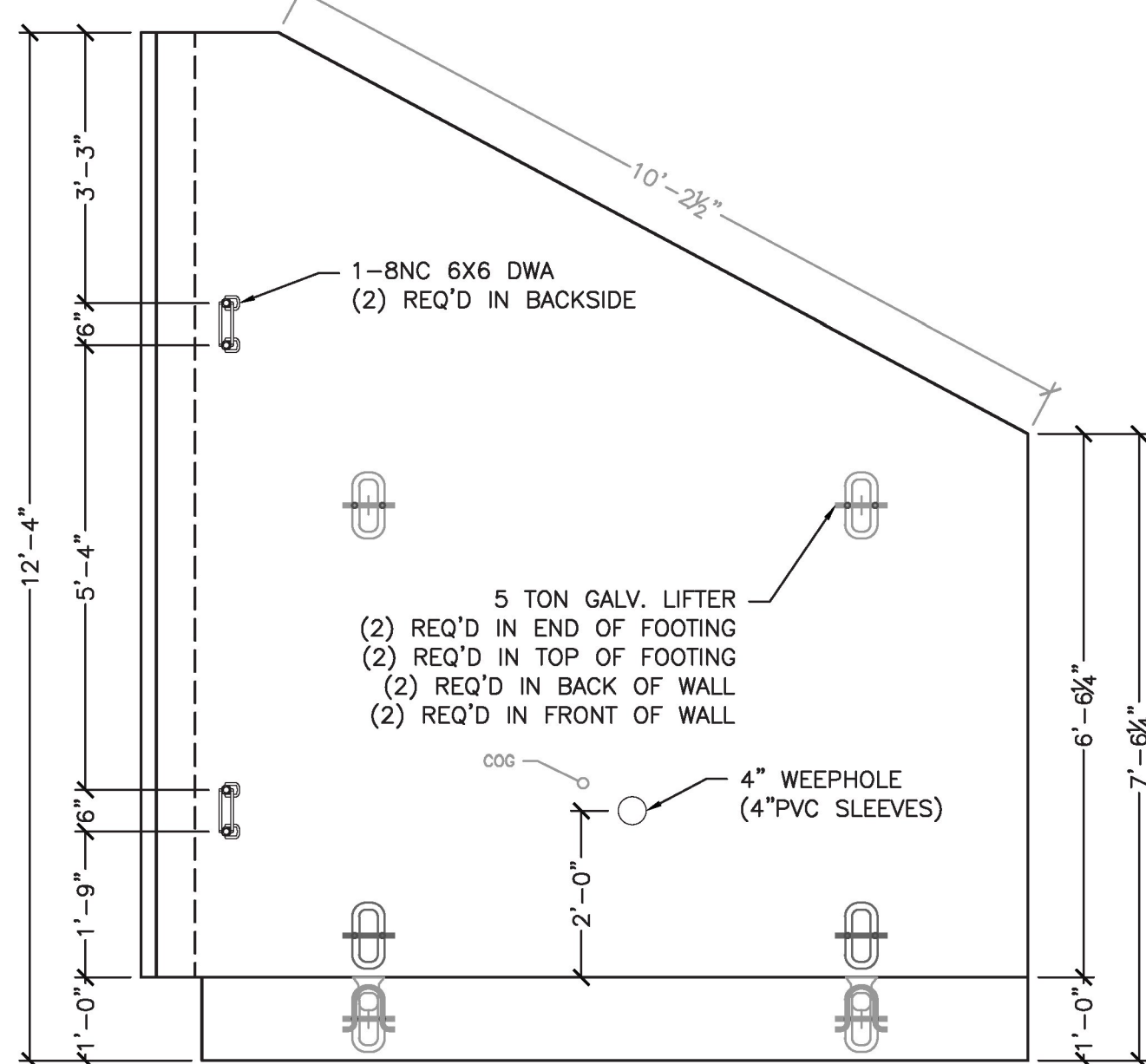
WW3B REINFORCING SCHEDULE

MARK	TYPE	SIZE	SPACING	QTY	LENGTH
LOC1	STR	#5	6"	14	11'-2"
LOC1A	LBAR	#5	6"	14	4'-9"
LOC2	STR	#4	12"	7	11'-2"
LOC2A	LBAR	#4	12"	7	4'-9"
LOC3	STR	#4	12"	22	7'-3" OF / 6'-10" IF
LOC5	HOOK	#5	6"	14	7'-1"
LOC6	STR	#4	12"	14	6'-7"
LOC7	STR	#4	12"	7	6'-6"

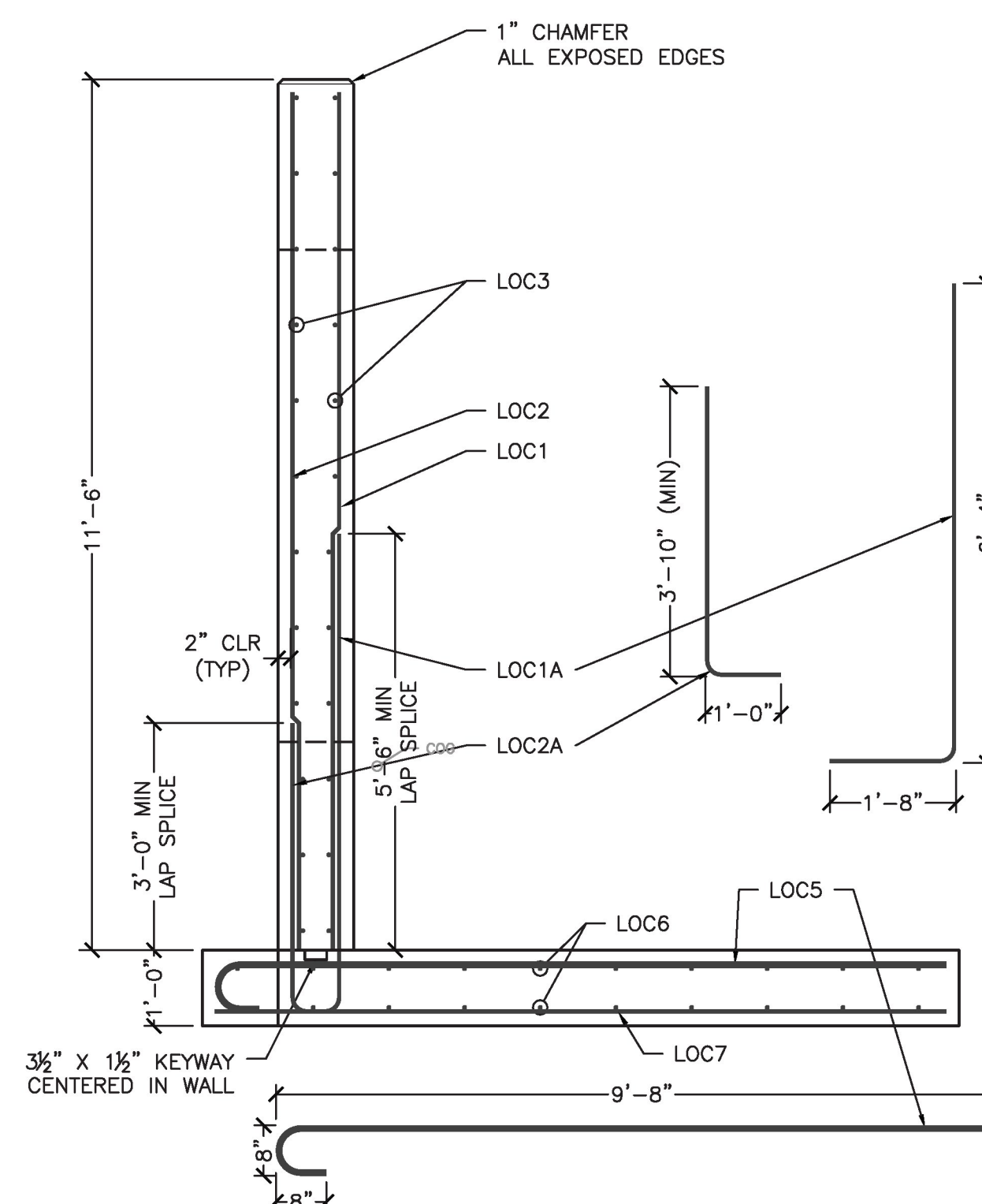
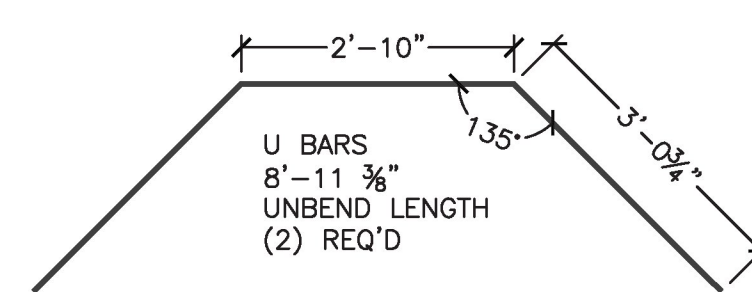


7 WW4 PLAN VIEW
S3.0
1/2" = 1'-0"

WW4 - 1 REQ'D
ITEM NUMBER: 275600
UNIT WEIGHT AND VOLUME:
FOOTING: 2.51CY (10,540#)
WALL: 2.94CY (12,350#)
TOTAL WEIGHT: 22,890#



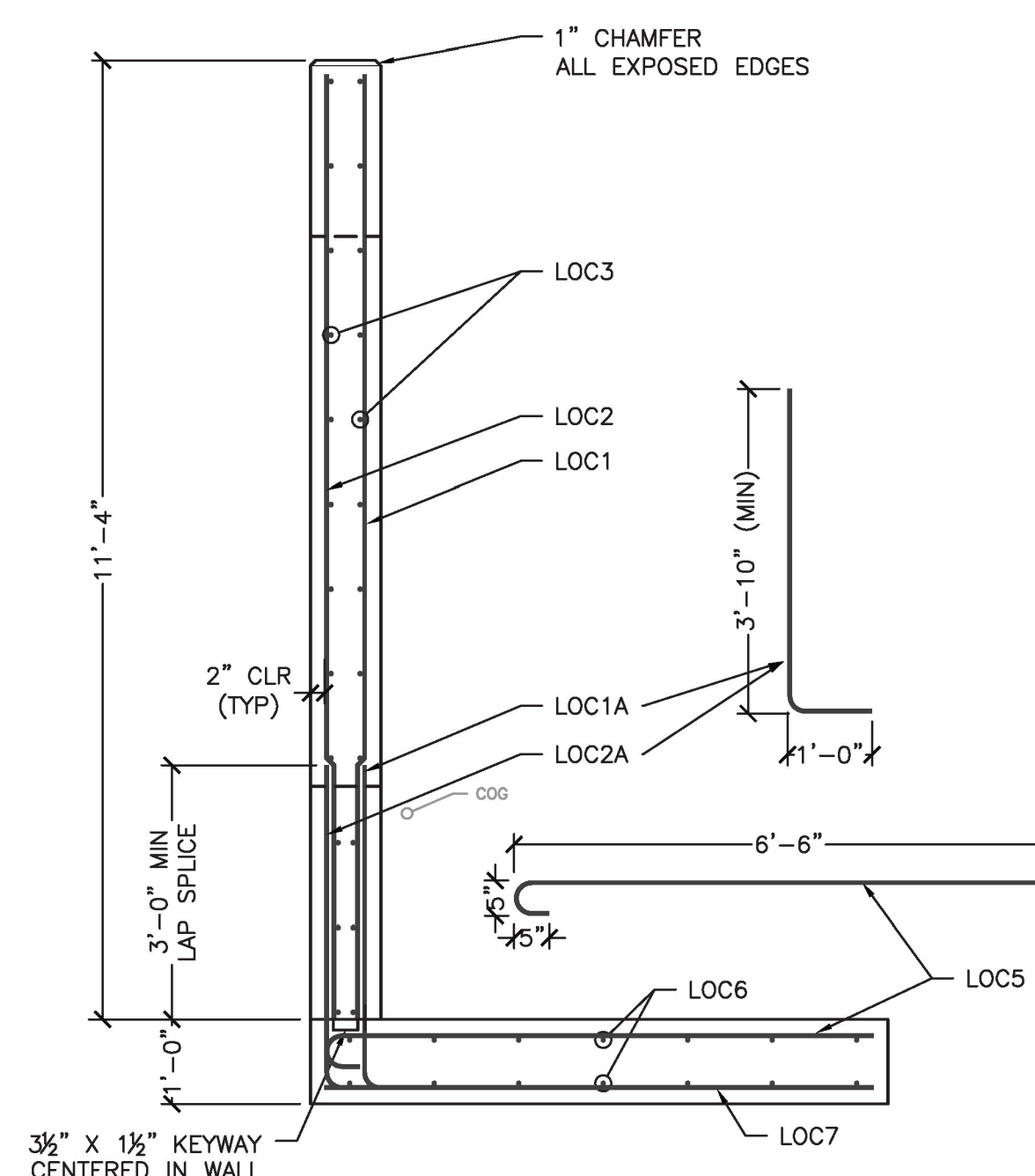
8 WW4 ELEV. VIEW
S3.0
1/2" = 1'-0" (Looking @ Front)



9 HW1 REINFORCING SECTION
S3.0
1/2" = 1'-0"

HW REINFORCING SCHEDULE

MARK	TYPE	SIZE	SPACING	QTY	LENGTH
LOC1	STR	#8	6"	20	11'-4"
LOC1A	LBAR	#8	6"	20	7'-10 1/2"
LOC2	STR	#4	12"	10	11'-4"
LOC2A	LBAR	#4	12"	10	4'-9"
LOC3	STR	#4	12"	24	9'-8"
LOC5	HOOK	#8	5"	20	10'-7"
LOC6	STR	#4	12"	20	9'-8"
LOC7	STR	#4	12"	10	9'-8"



10 WW REINFORCING SECTION
S3.0
1/2" = 1'-0"

WW4 REINFORCING SCHEDULE

MARK	TYPE	SIZE	SPACING	QTY	LENGTH
LOC1	STR	#5	5"	20	11'-2"
LOC1A	LBAR	#5	6"	20	4'-9"
LOC2	STR	#4	12"	10	11'-2"
LOC2A	LBAR	#4	12"	10	4'-9"
LOC3	STR	#4	12"	24	10'-3" OF / 9'-10" IF
LOC5	HOOK	#6	6"	20	7'-1"
LOC6	STR	#4	12"	20	9'-7"
LOC7	STR	#4	12"	10	6'-6"

Project No. 7910
Date: 3/7/2017

Designed by: xxx
Drawn by: CJP
Checked by: XXX

Scale: AS SHOWN

173 BUXTON INDUSTRIAL DRIVE - PO BOX 870
HENNIKER, NH 03242
PHONE: 603-498-8218
WWW.MICHECORP.COM

VT Route 78 - VAOT # STP SCRIP (12)
Higgate, VT
Outlet End Headwall Details

Prepared for:
Casella Construction, Inc.
25 Industrial Ave.
Mendon, VT 05701

DWG NO.
S3.0