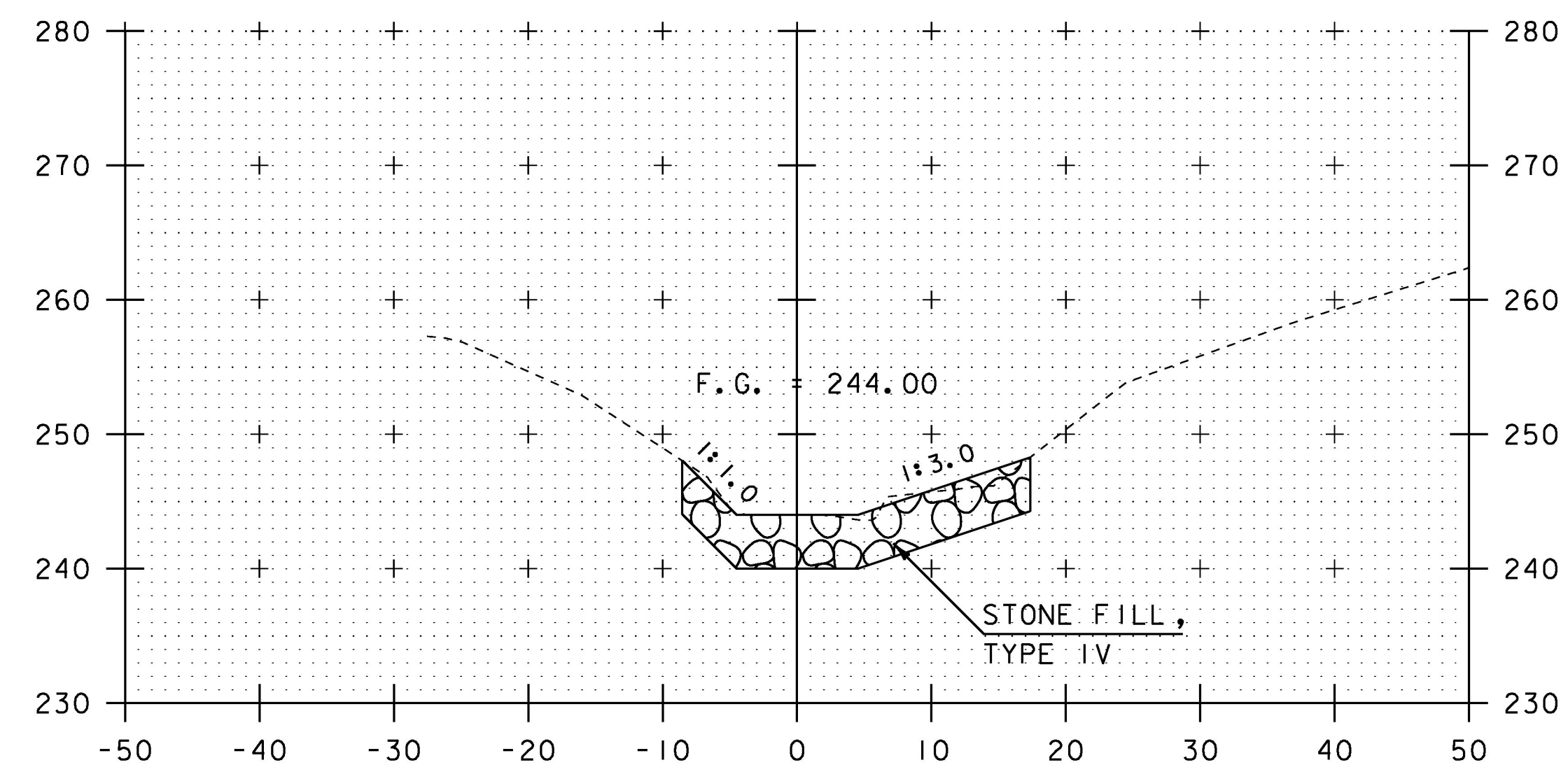
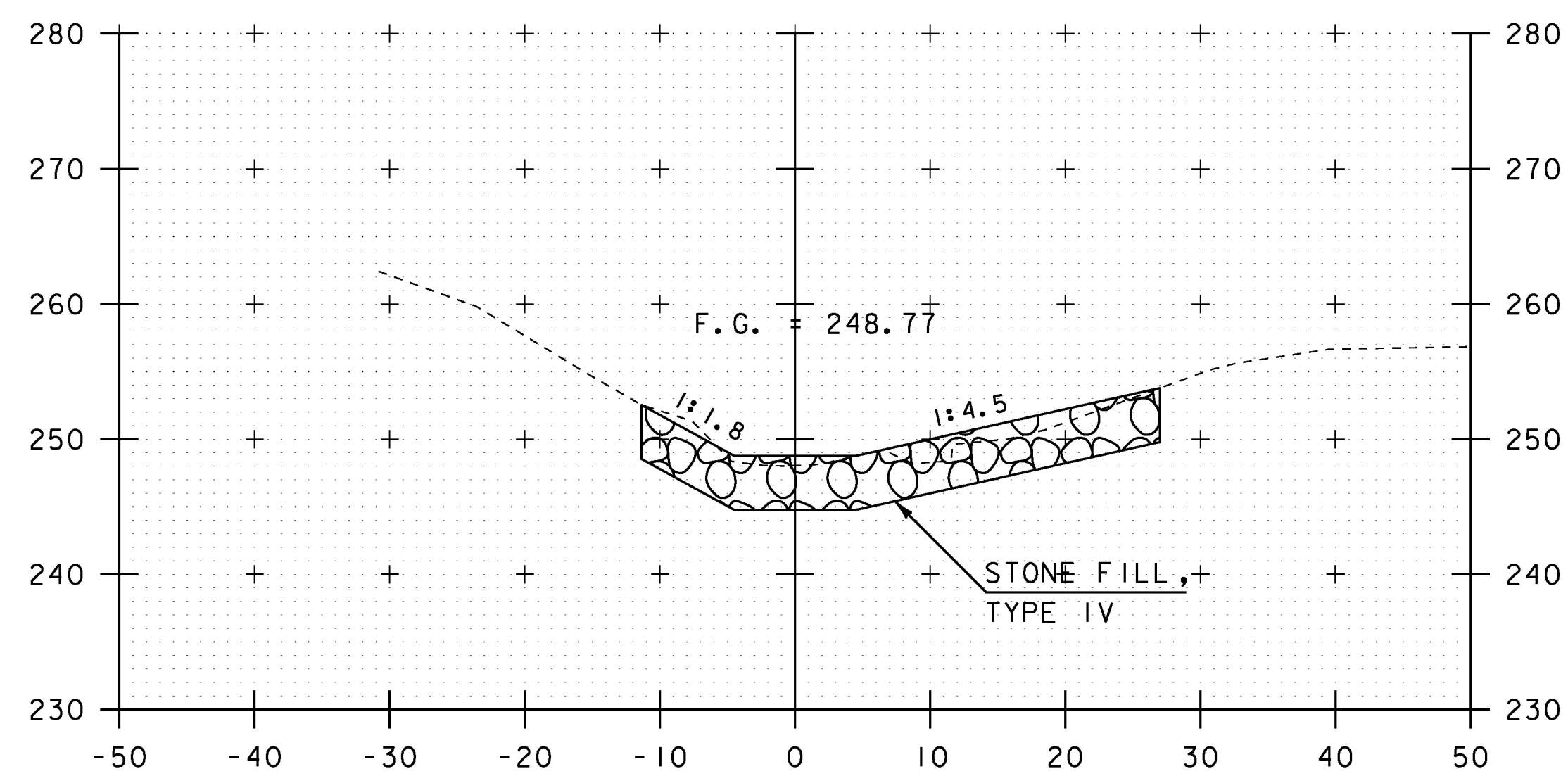


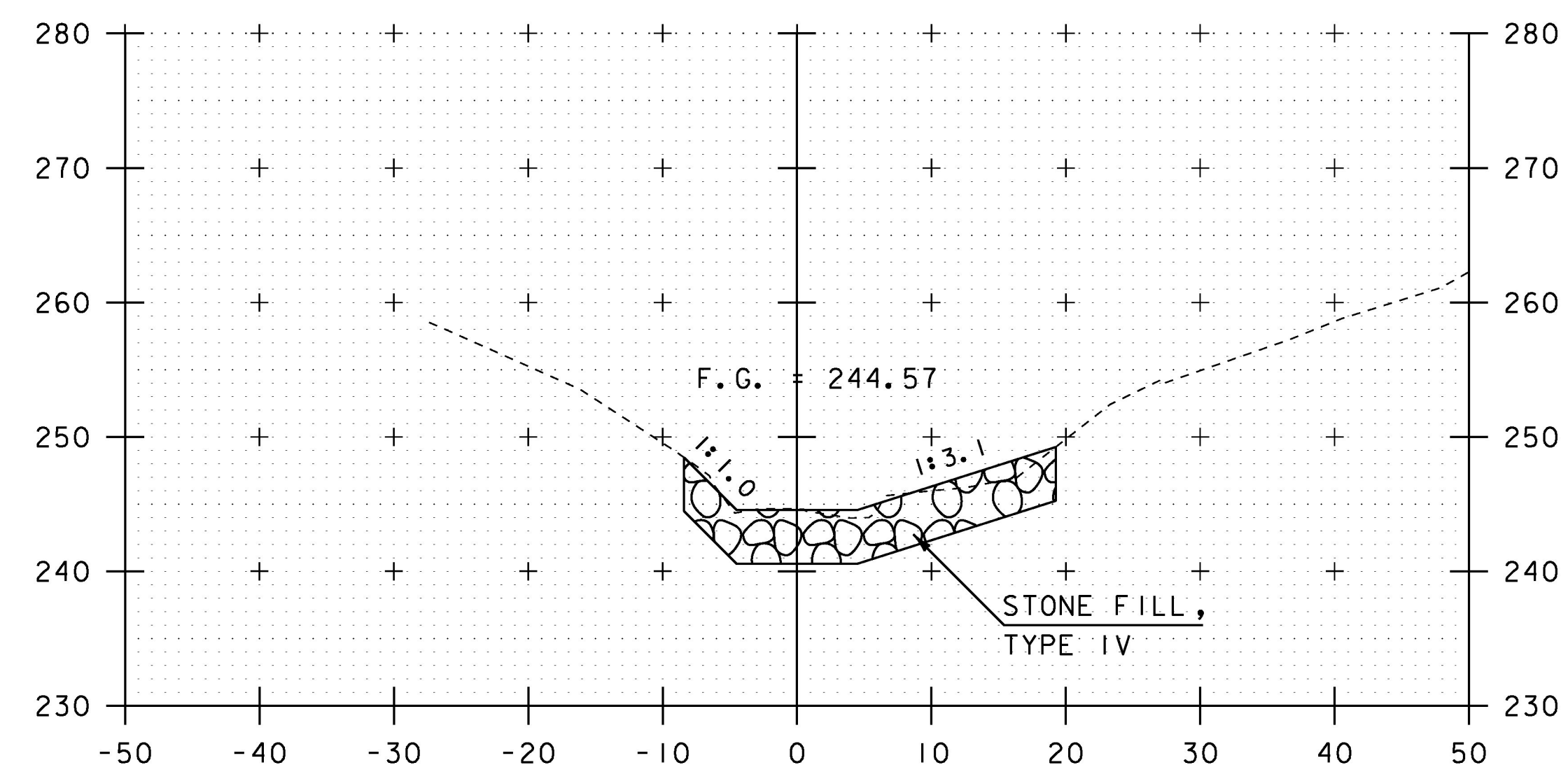
11+00



11+13
END CHANNEL WORK



10+90



11+10

SCALE IN FEET

PROJECT NAME:	HIGHGATE
PROJECT NUMBER:	STP SCRPI(2)
FILE NAME:	d13ci34xs.dgn
PROJECT LEADER:	B. MARTIN
DESIGNED BY:	A. KEMPTON
CHECKED BY:	M. GAMELIN
CHANNEL CROSS SECTION SHEET 6	PLOT DATE: 14-OCT-2016
	DRAWN BY: A. KEMPTON
	CHECKED BY: M. GAMELIN
	SHEET 39 OF 40

STA. 10+90 TO STA. 11+13