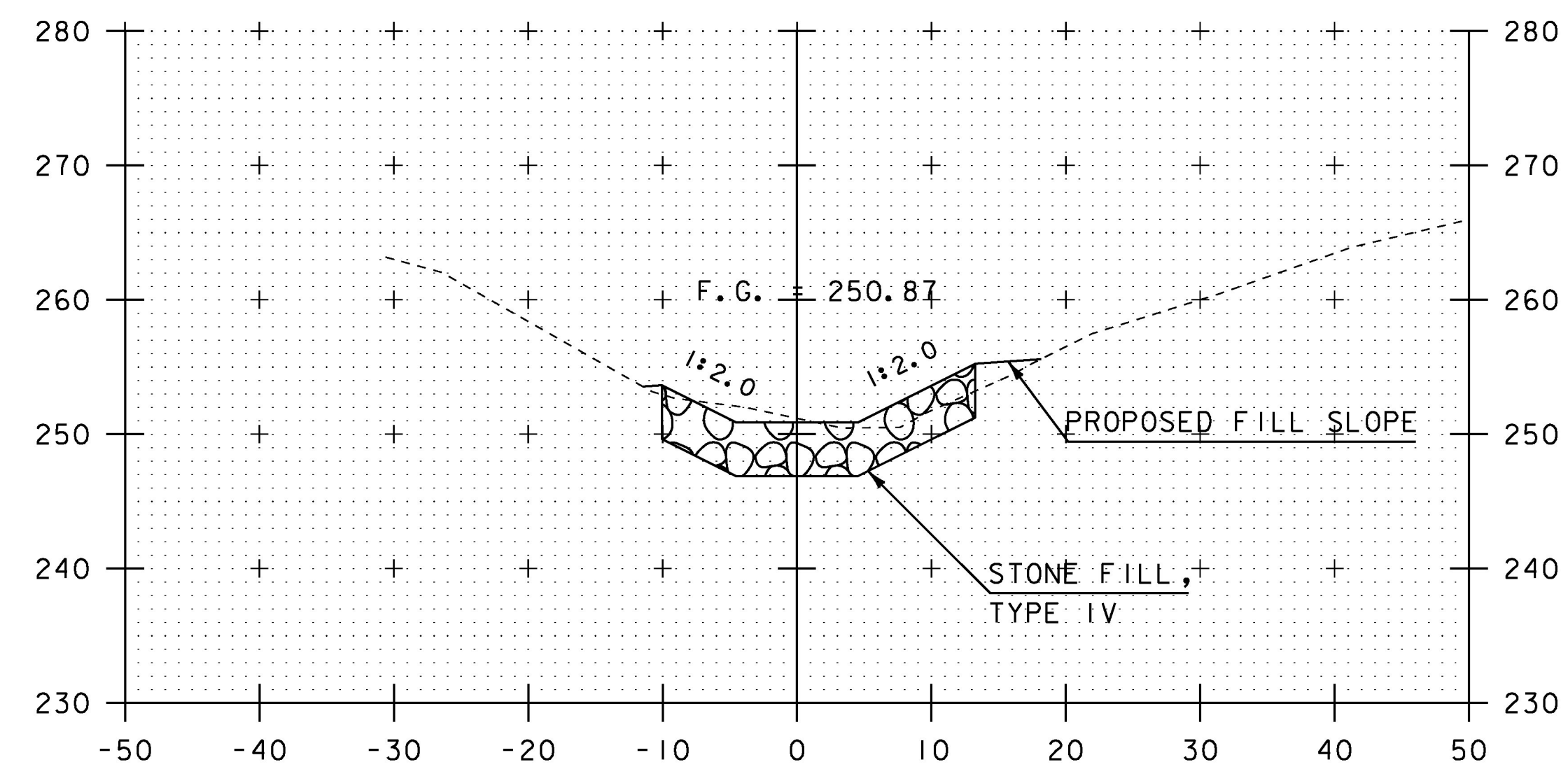
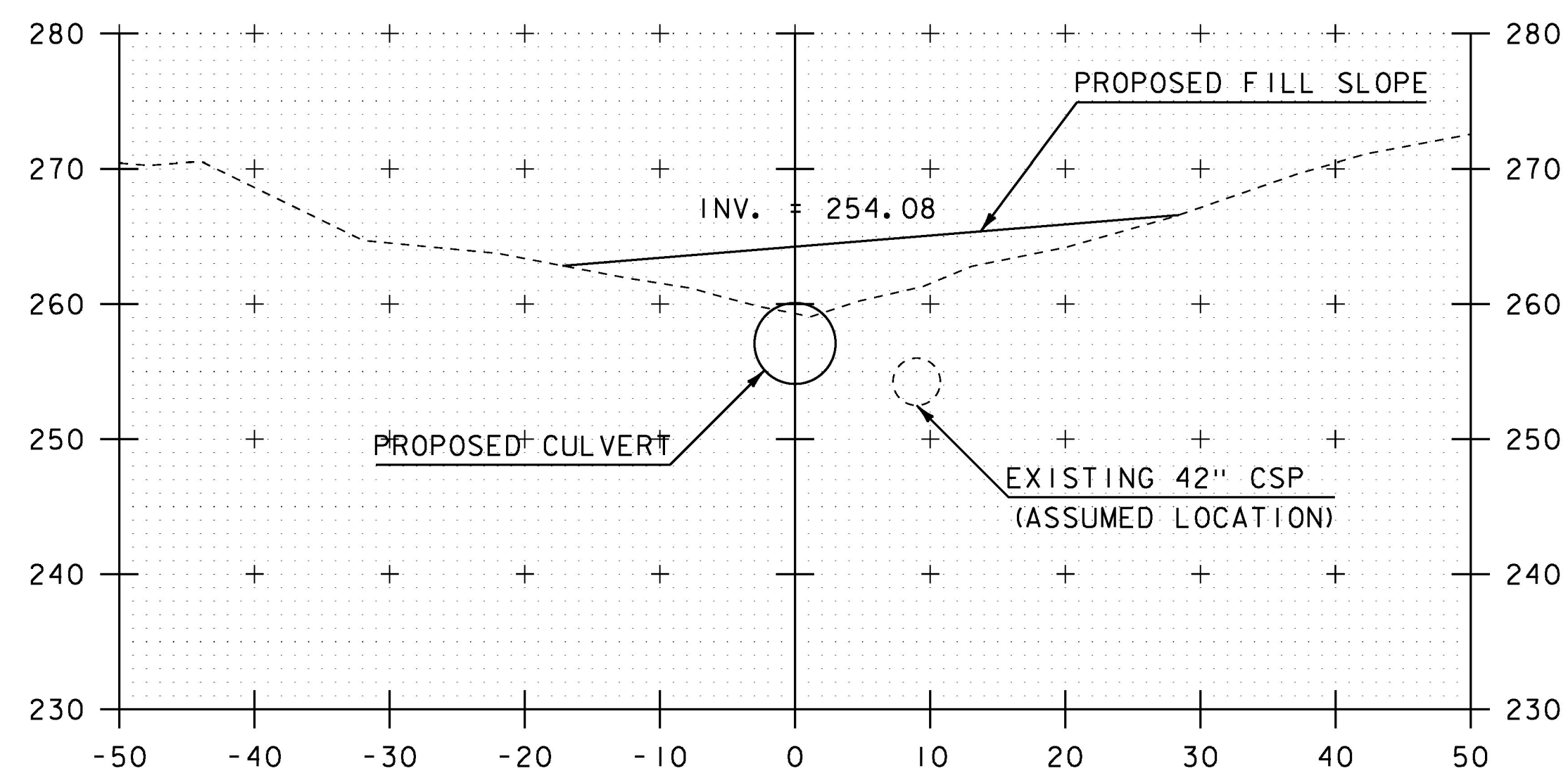


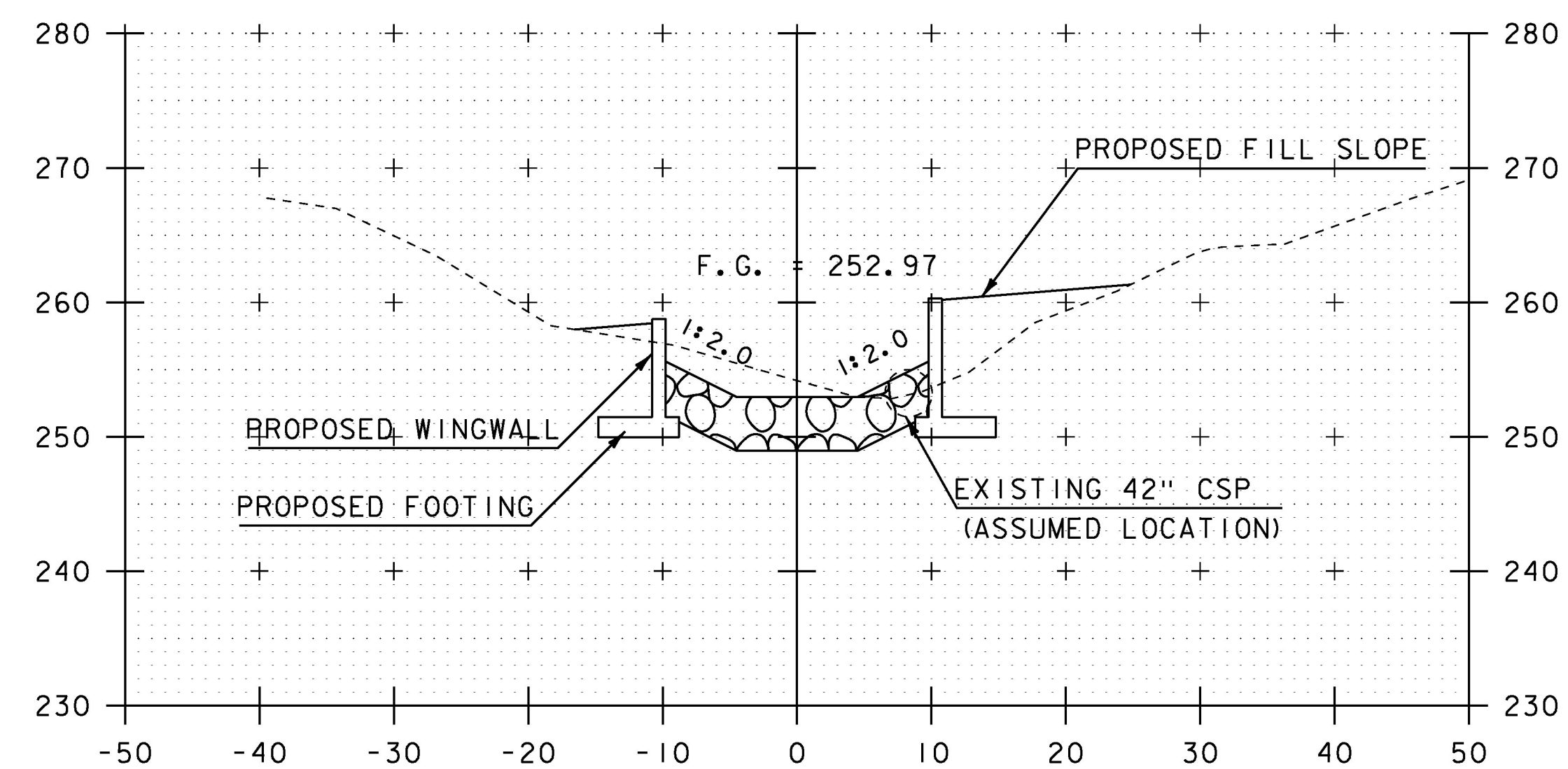
10+65.19  
END CULVERT  
(BR 10)



10+80



10+60



10+70

SCALE IN FEET

|                             |               |             |             |
|-----------------------------|---------------|-------------|-------------|
| PROJECT NAME:               | HIGHGATE      | PLOT DATE:  | 14-OCT-2016 |
| PROJECT NUMBER:             | STP SCRPI(2)  | DRAWN BY:   | A. KEMPTON  |
| FILE NAME:                  | d13ci34xs.dgn | CHECKED BY: | M. GAMELIN  |
| PROJECT LEADER:             | B. MARTIN     | SHEET       | 38 OF 40    |
| DESIGNED BY:                | A. KEMPTON    |             |             |
| CHANNEL CROSS SECTION SHEET | 5             |             |             |

STA. 10+60 TO STA. 10+80