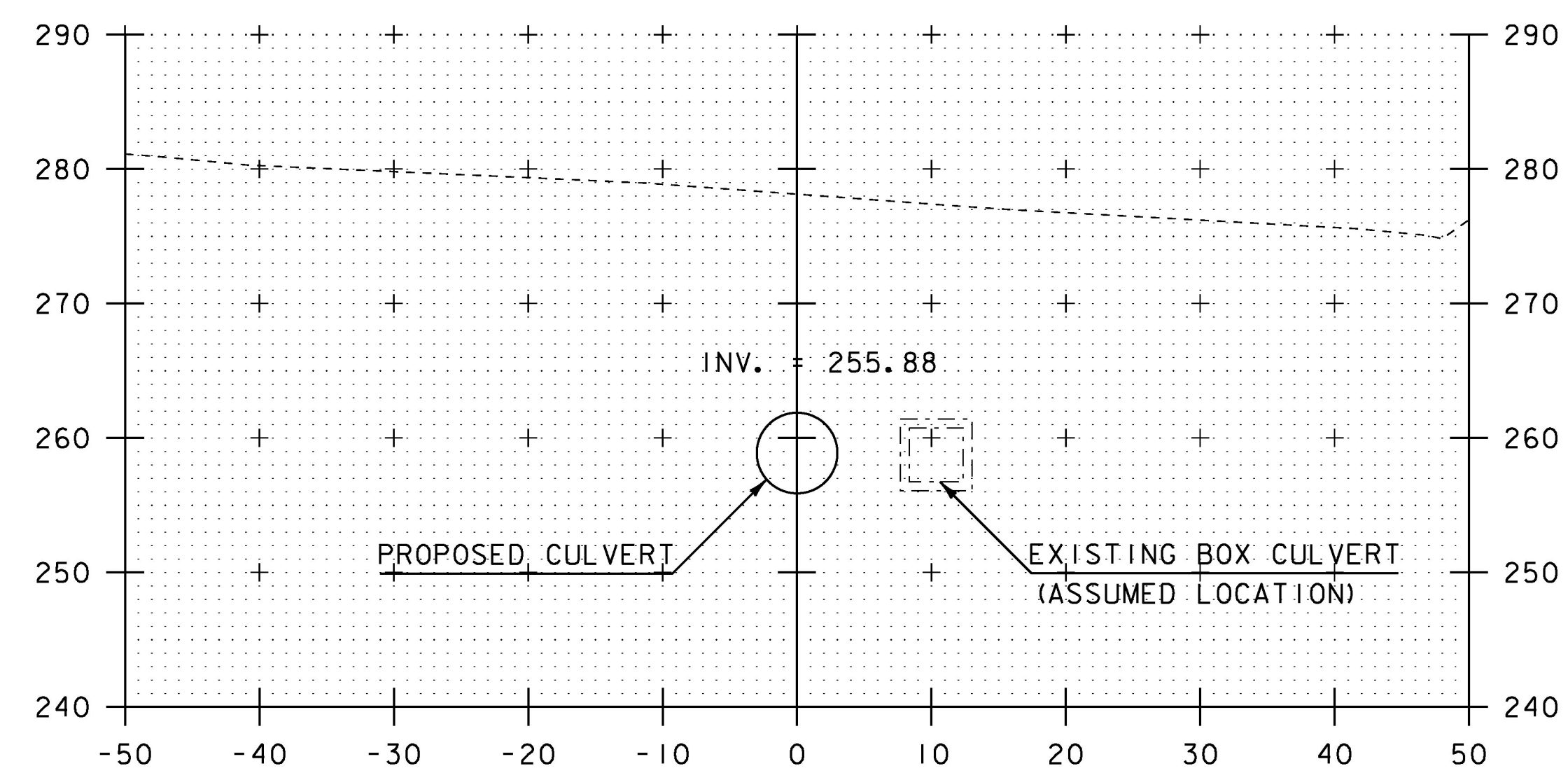
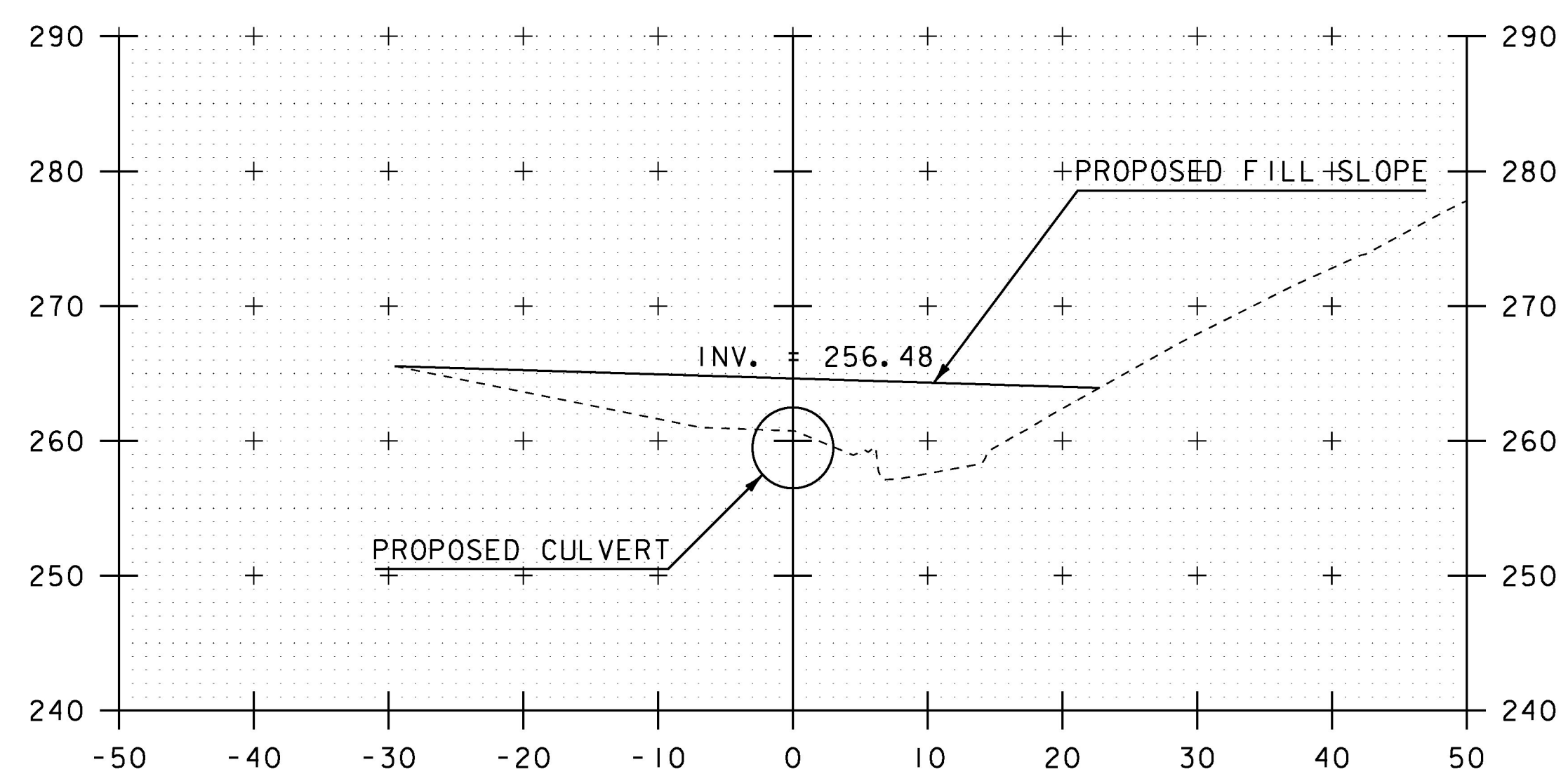


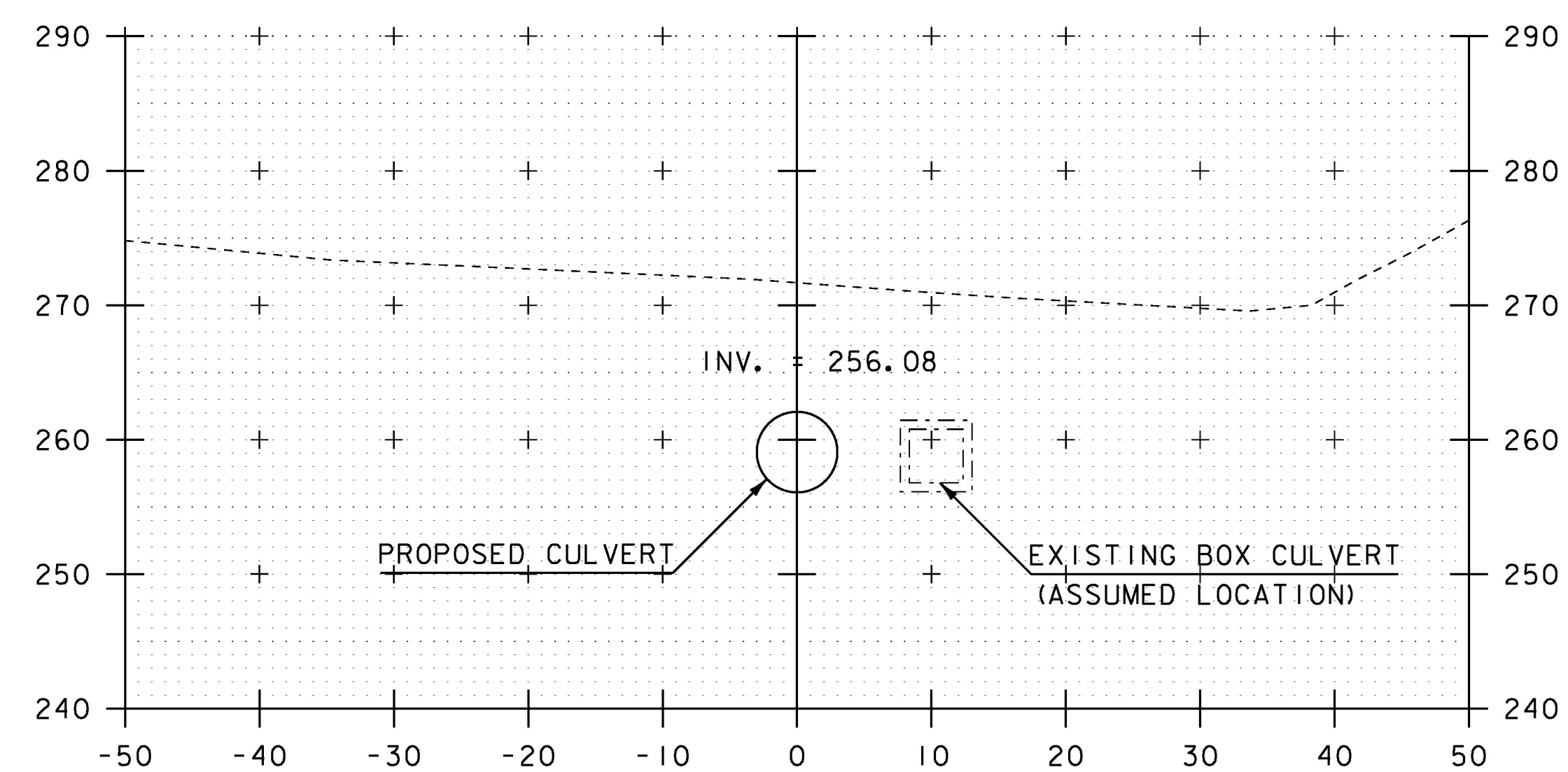
9+50



9+70



9+40



9+60

SCALE IN FEET

PROJECT NAME:	HIGHGATE
PROJECT NUMBER:	STP SCRPI(2)
FILE NAME:	d13ci34xs.dgn
PROJECT LEADER:	B. MARTIN
DESIGNED BY:	A. KEMPTON
CHANNEL CROSS SECTION SHEET 2	
PLOT DATE:	14-OCT-2016
DRAWN BY:	A. KEMPTON
CHECKED BY:	M. GAMELIN
	SHEET 35 OF 40

STA. 9+40 TO STA. 9+70