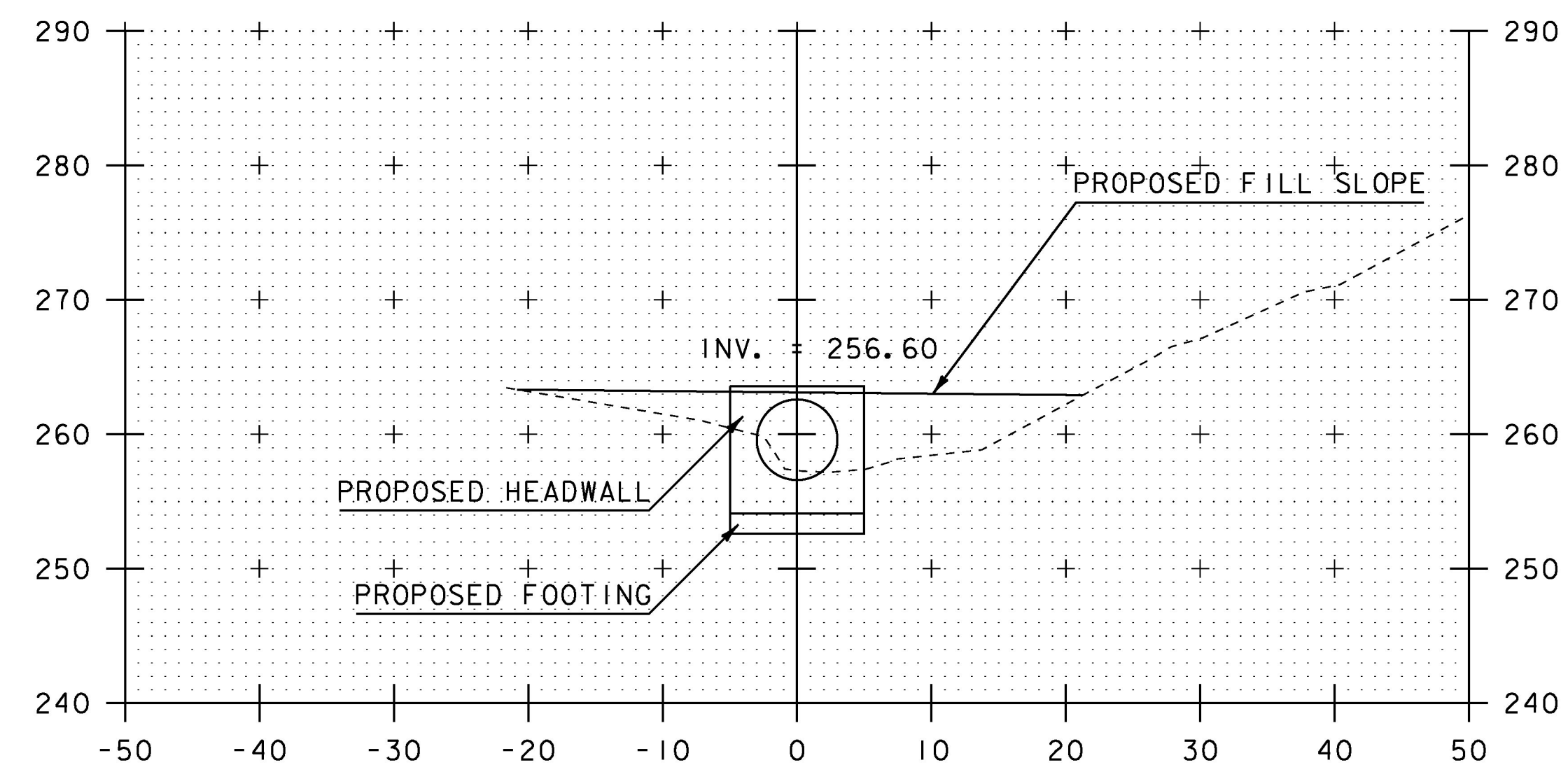
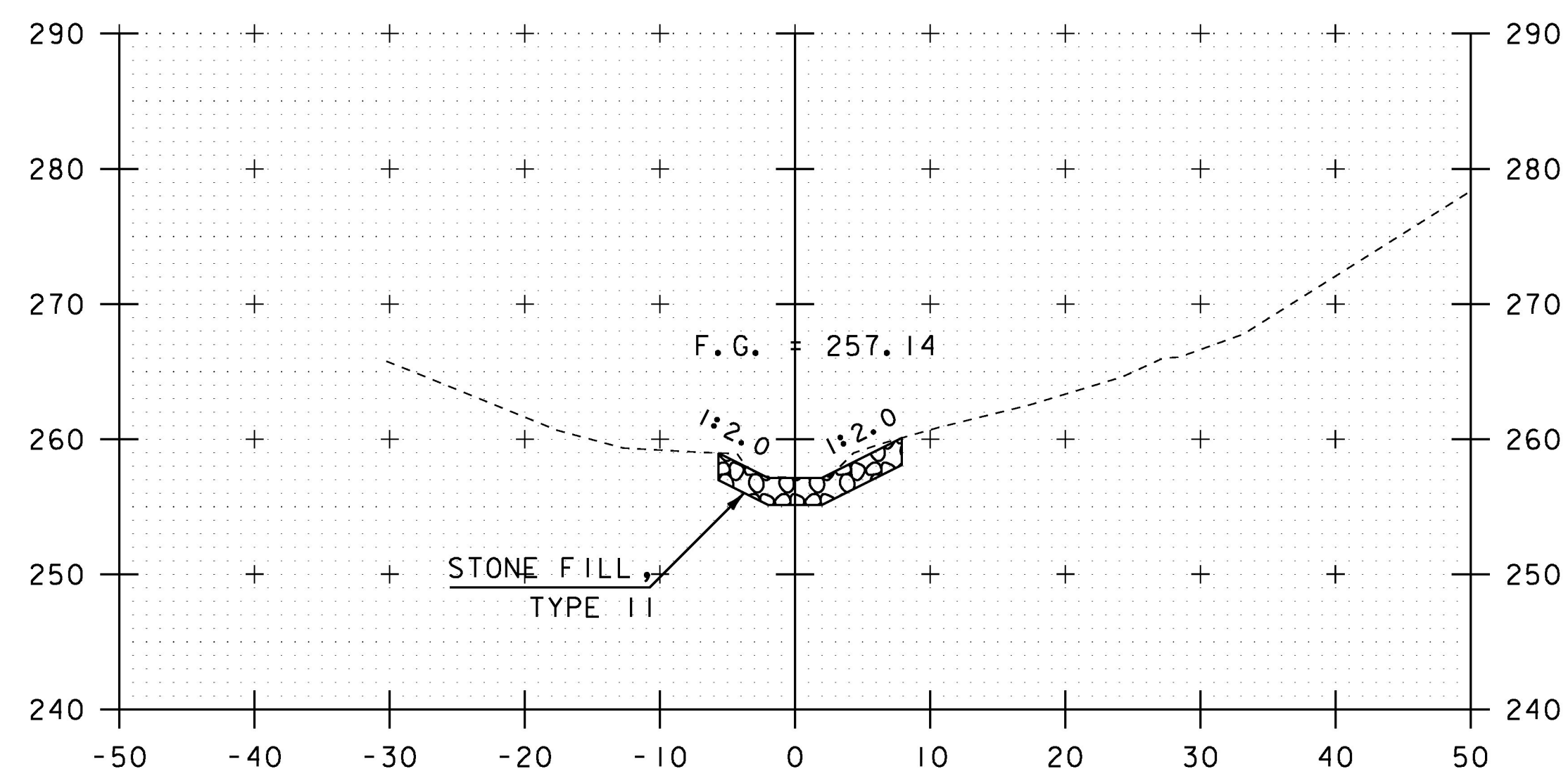


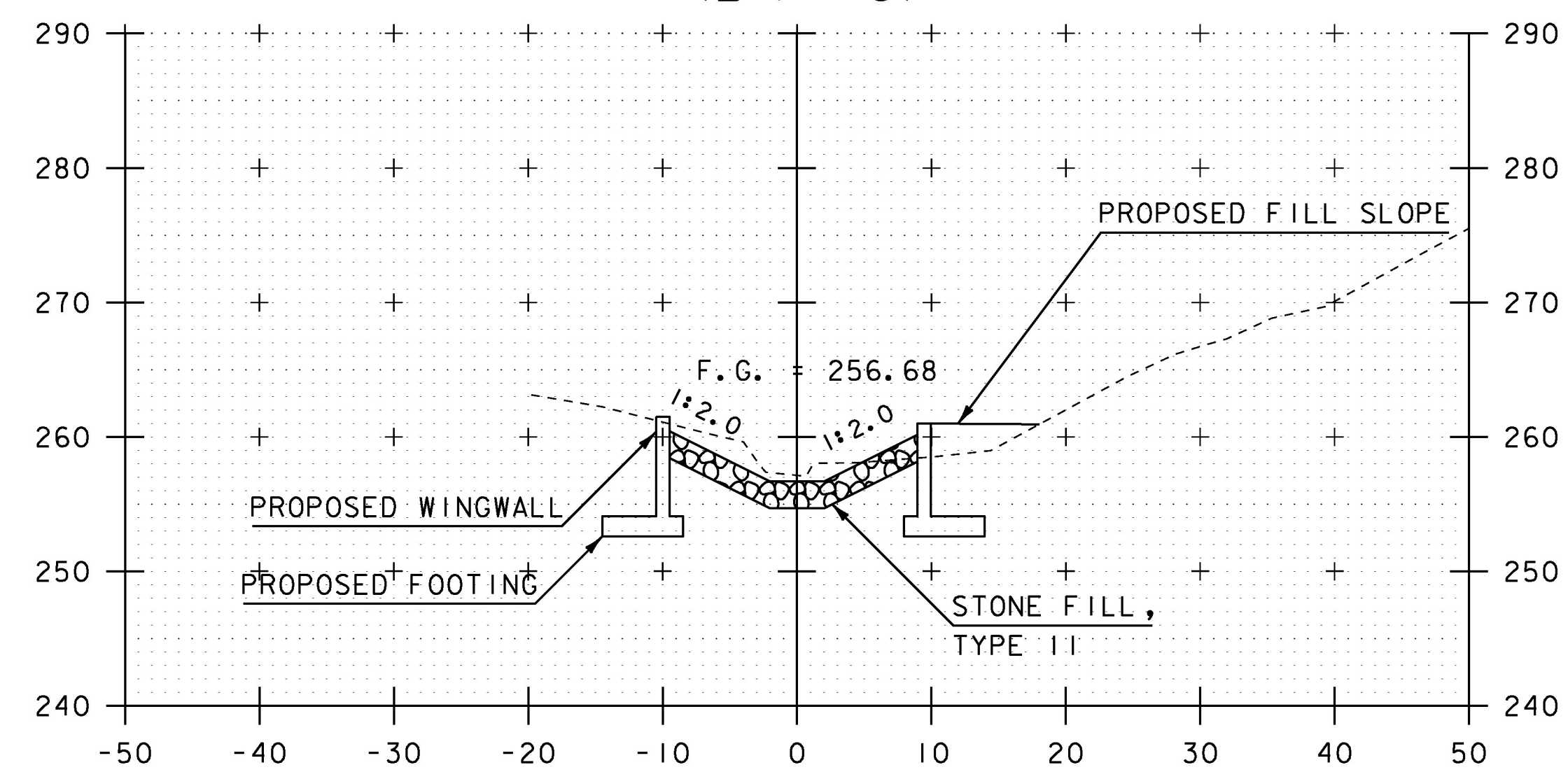
9+20



9+34.21
BEGIN CULVERT
(BR 10)



9+07
BEGIN CHANNEL WORK



9+30

SCALE IN FEET

PROJECT NAME:	HIGHGATE
PROJECT NUMBER:	STP SCRPI(2)
FILE NAME:	d13ci34xs.dgn
PROJECT LEADER:	B. MARTIN
DESIGNED BY:	A. KEMPTON
CHANNEL CROSS SECTION SHEET 1	
PLOT DATE:	14-OCT-2016
DRAWN BY:	A. KEMPTON
CHECKED BY:	M. GAMELIN
SHEET	34 OF 40

STA. 9+07 TO STA. 9+34