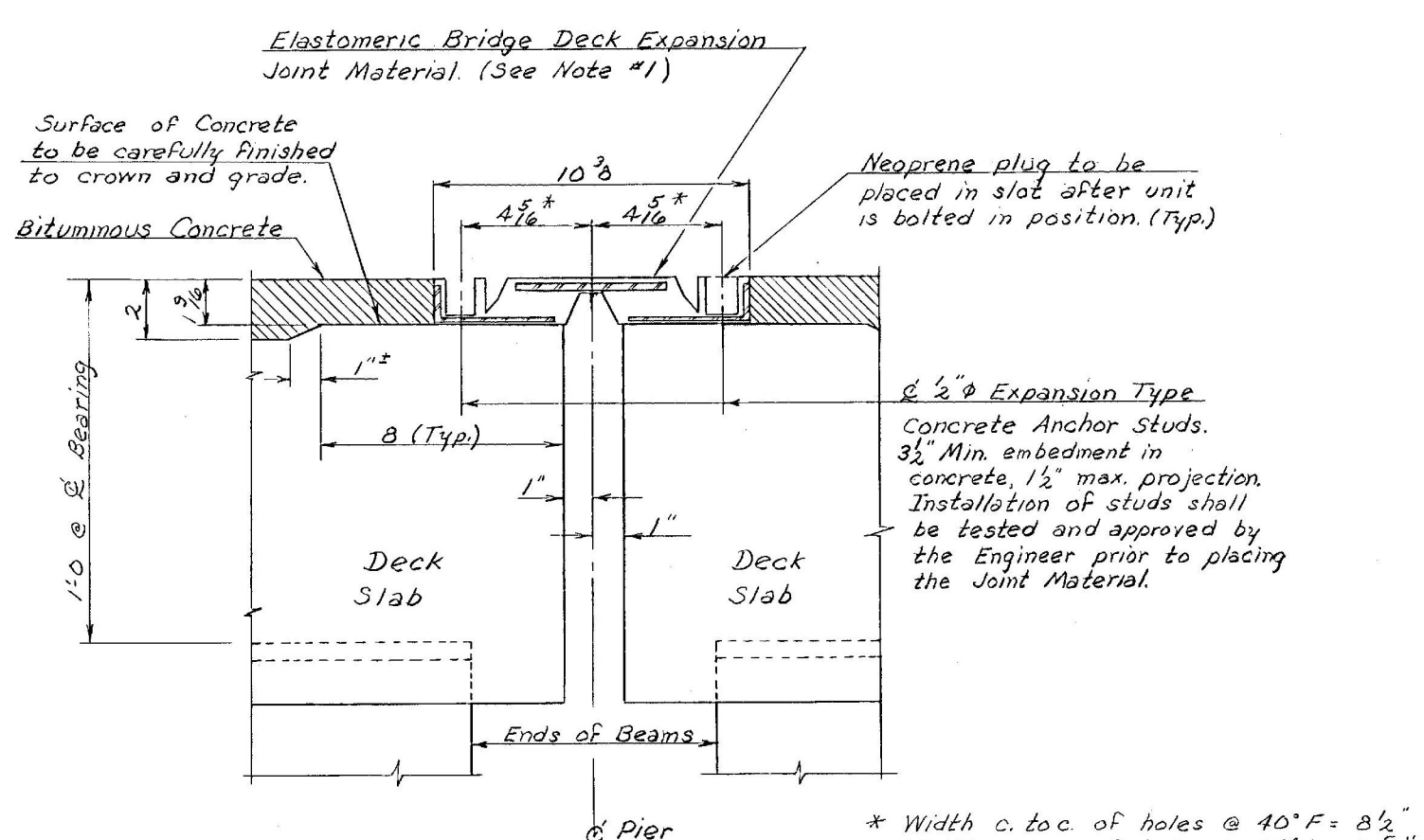
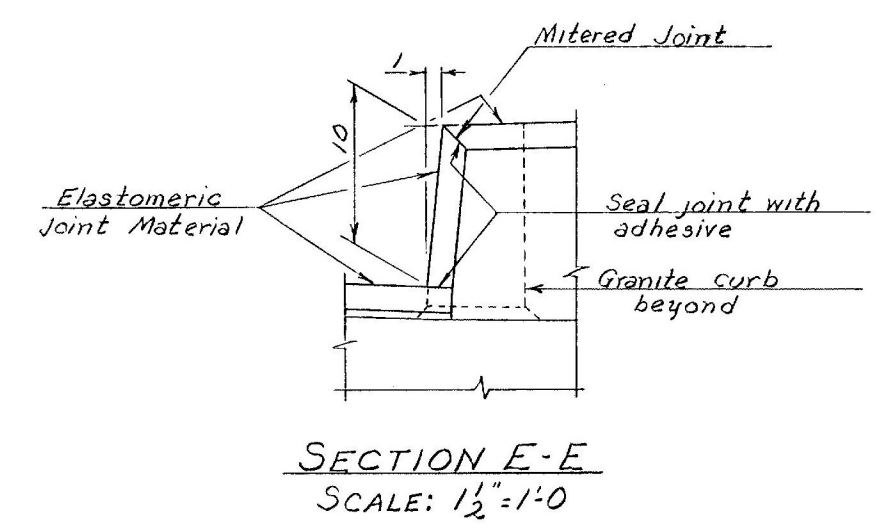
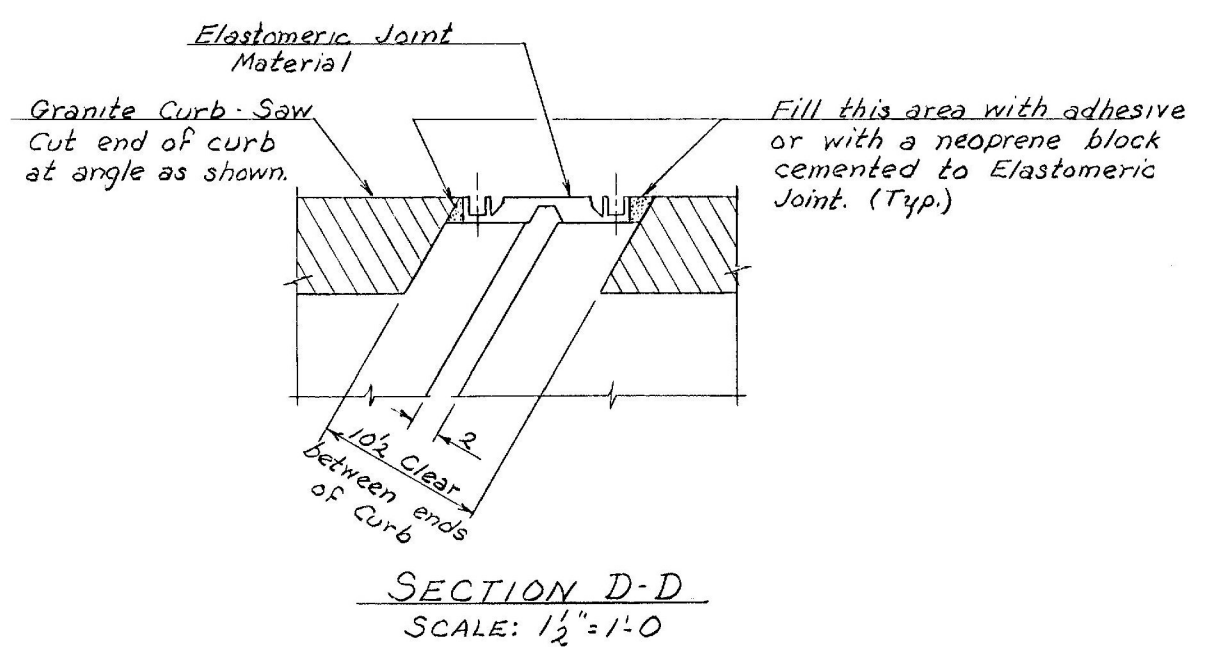
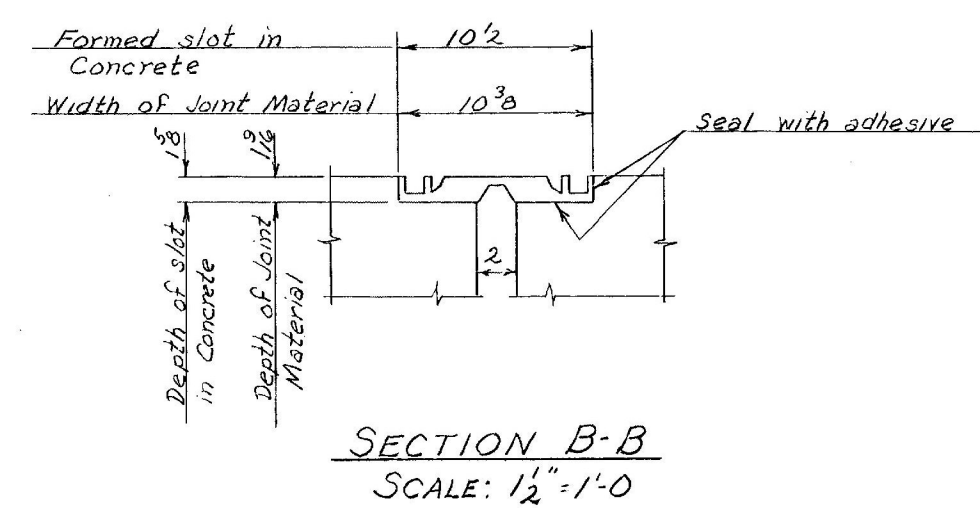
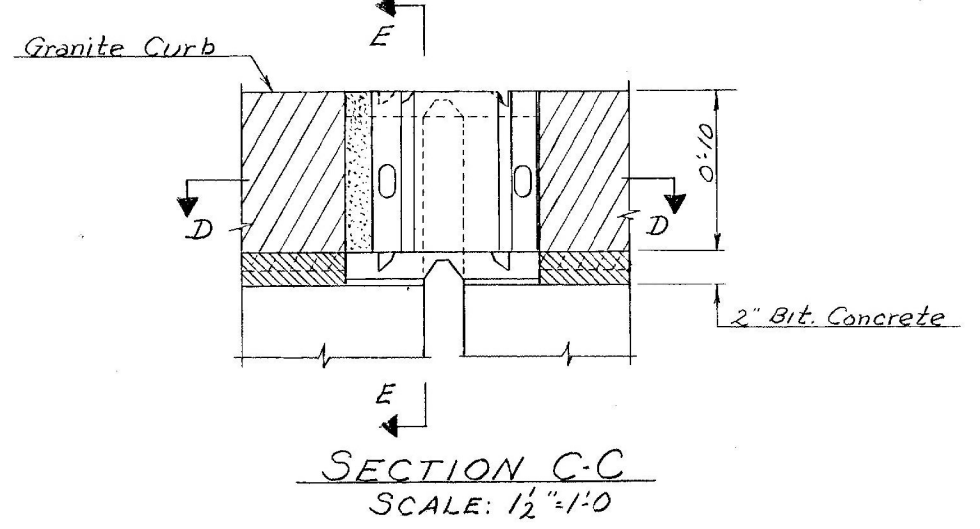


PLAN
SCALE: 1" = 1'-0"

Chip corner of Granite as necessary; seal joint with adhesive. (Typ)



* Width c. to c. of holes @ 40° F. = 8 1/2"
Width c. to c. of holes @ 68° F. = 8 3/8"
Width c. to c. of holes @ 70° F. = 8 3/4"

NOTES

- Details shown are for "TransPlex 200 Bridge Expansion Joint," as manufactured by the General Tire and Rubber Company. Alternate configurations meeting the specifications for Item 434, Elastomeric Bridge Deck Expansion Joint Material may be substituted, upon approval by the Engineer.
- Sections used on curb and sidewalk may have different steel components than those indicated for roadway section.
- Detailed shop drawings, including details of anchor bolts to be used, shall be submitted in triplicate to the State for approval prior to installation.
- All sections of the material shall be embedded in adhesive, and all joints between sections or between the material and adjacent concrete, granite, or pavement shall be sealed with adhesive, as specified in Item 434.03 B.
- See BR. 100 For General Notes.
- Any change in material specifications shall be submitted to the State for approval prior to fabrication.
- The joint must be installed when the temperature of the steel beams is between 40° and 70° F, or provision must be made for stretching or compressing the material to compensate for the temperature differential.

STATE OF VERMONT DEPARTMENT OF HIGHWAYS	
PROJECT	LYNDON
TOWN OF	LYNDON
ROUTE No.	U.S. 25 LOG STA. 191+97
U.S. ROUTE 25 OVER PASSUMPSIC RIVER	
PIER JOINT DETAIL	
SCALE AS NOTED	
SECTION SUPERVISOR	R. HAUPT
DRAWN BY	W. TRIBE CHECKED BY E. G. [Signature]
PROJECT No.	BP-041-S-6603
SHEET	17 OF 60 BR. 105

**LYNDON
BF MEMB(39)**
**SHEET 17 OF 28
BRIDGE 144
FOR REFERENCE ONLY**