

* THE APPROACH SLAB MAY SLOPE DOWN FROM THE ABUTMENTS. IF THIS OCCURS, REMOVE ONLY THE TOP 2 1/2" OF PAVEMENT.

REMOVE PAVEMENT TO THE TOP OF THE CONCRETE BRIDGE DECK. REMOVE PAVEMENT TO THE TOP OF THE APPROACH SLAB OR 2 1/2" WHICHEVER IS LESS, AND REMOVE THE BARRIER MEMBRANE WHERE APPLICABLE. REMOVAL OF THE BIT. CONC. PAV'T WILL BE PAID FOR UNDER ITEM 529.10 REMOVAL OF BRIDGE PAVEMENT. REMOVAL OF THE BARRIER MEMBRANE WILL BE PAID FOR UNDER ITEM 580.16 SURFACE PREPARATION FOR MEMBRANE.

(SEE BRIDGE LENGTH AND WIDTH TABLE)

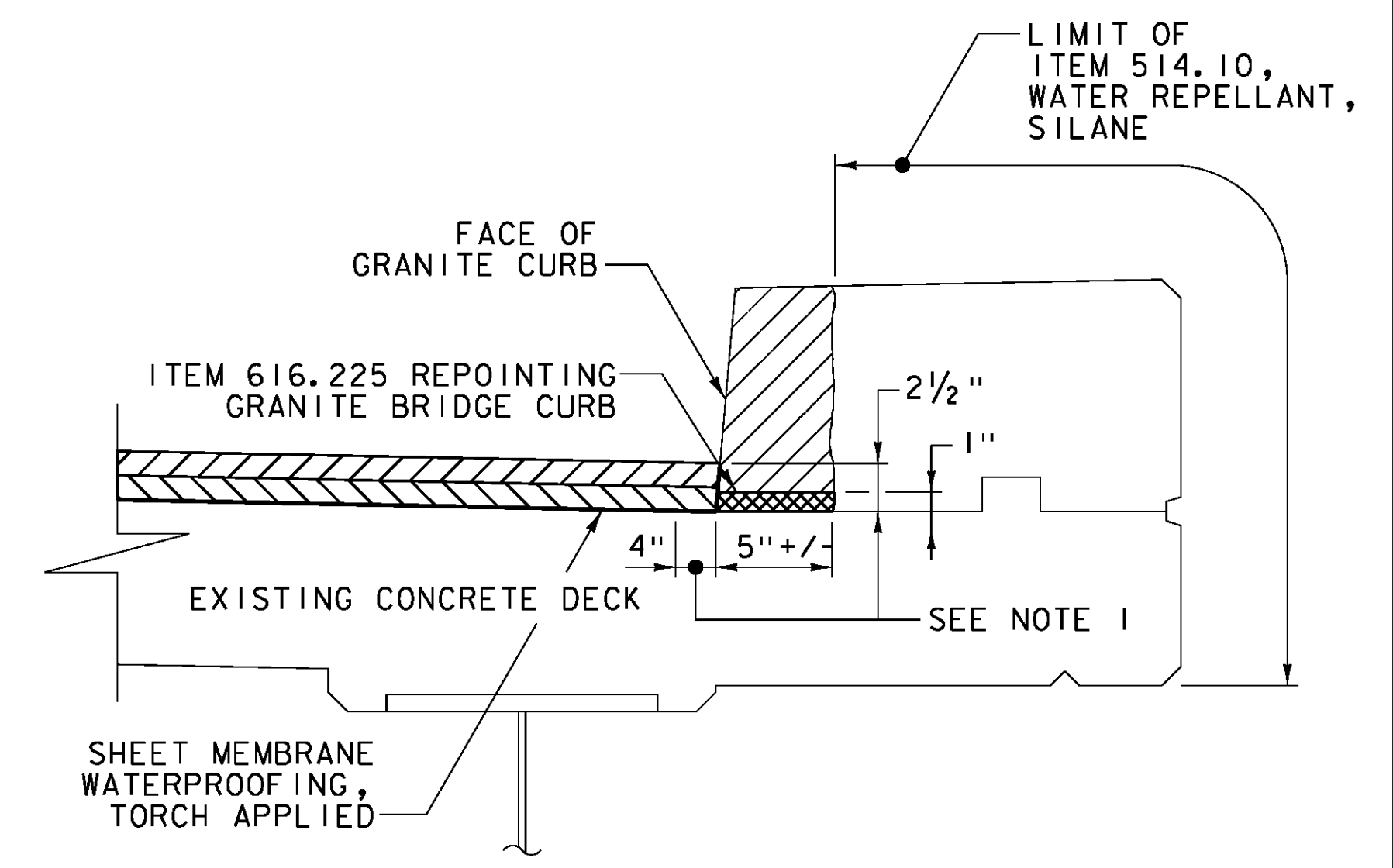
(SEE BRIDGE LENGTH AND WIDTH TABLE)

- COLD PLANE - 1/4"
- COLD PLANE - 2 1/2"
- PAVEMENT REMOVAL

BITUMINOUS CONCRETE REMOVAL PLAN
NOT TO SCALE

BRIDGE LENGTH AND WIDTH (CURB TO CURB)				
BRIDGE NUMBER	WIDTH (CURB TO CURB) (FEET)	LENGTH (FEET)	A (FEET)	B (FEET)
144	44	147	50	50
147	30	54	50	50

ASPHALTIC PLUG JOINT REPLACEMENT SCHEDULE				
BRIDGE NUMBER	ABUT 1	PIER 1	PIER 2	ABUT 2
144	51	51	51	51
147	31	-	-	31

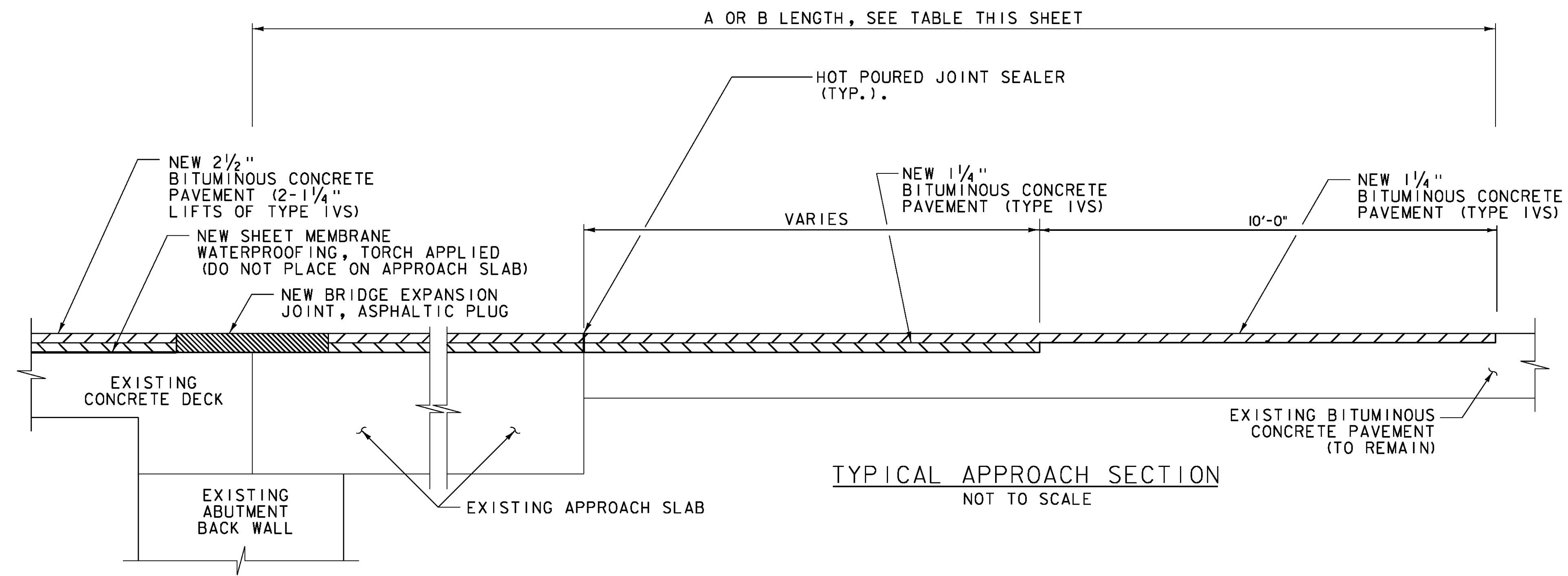


DETAIL A
NOT TO SCALE

DETAIL A NOTES:

1. INDICATES AREA ALONG DECK AND UP FACE OF CURB FOR PLACEMENT OF TWO COATS OF POLYURETHANE MEMBRANE.
2. POLYURETHANE MEMBRANE AND BLAST CLEANING SHALL BE INCLUDED IN THE UNIT PRICE BID FOR ITEM 519.20, SHEET MEMBRANE WATERPROOFING, TORCH APPLIED.
3. SHEET MEMBRANE WATERPROOFING SHALL EXTEND TO FACE OF CURB AS SHOWN.
4. IN ADDITION TO THE REQUIREMENTS OF SUBSECTION 519.04, BLAST CLEAN 2 1/2" UP THE FACE OF CURB PRIOR TO PLACING THE MEMBRANE, INCIDENTAL TO ITEM 519.20, SHEET MEMBRANE WATERPROOFING, TORCH APPLIED.

*EXISTING MORTAR BED AND VERTICAL CURB JOINTS TO BE REPOINTED AS DIRECTED BY THE ENGINEER AND PAID AS ITEM 616.225 REPOINTING GRANITE BRIDGE CURB. FOR QUANTITY ESTIMATE IT WAS ASSUMED THAT 20% OF THE BRIDGE CURB REQUIRES REPOINTING. A 1" HIGH BY 5" DEEP MORTAR BED AND VERTICAL JOINTS EQUATES TO 3.0 GAL/10 LF OF CURB.



TYPICAL APPROACH SECTION
NOT TO SCALE



PROJECT NAME: LYNDON	PLOT DATE: 5/22/2014
PROJECT NUMBER: BF MEMB(39)	DRAWN BY: P. ARMATA
FILE NAME: z13ci22detail.dgn	DESIGNED BY: D. DEBAIE
PROJECT LEADER: G. BOGUE	CHECKED BY: D. DEBAIE
BITUMINOUS CONCRETE DETAILS BD-01	
SHEET 10 OF 28	