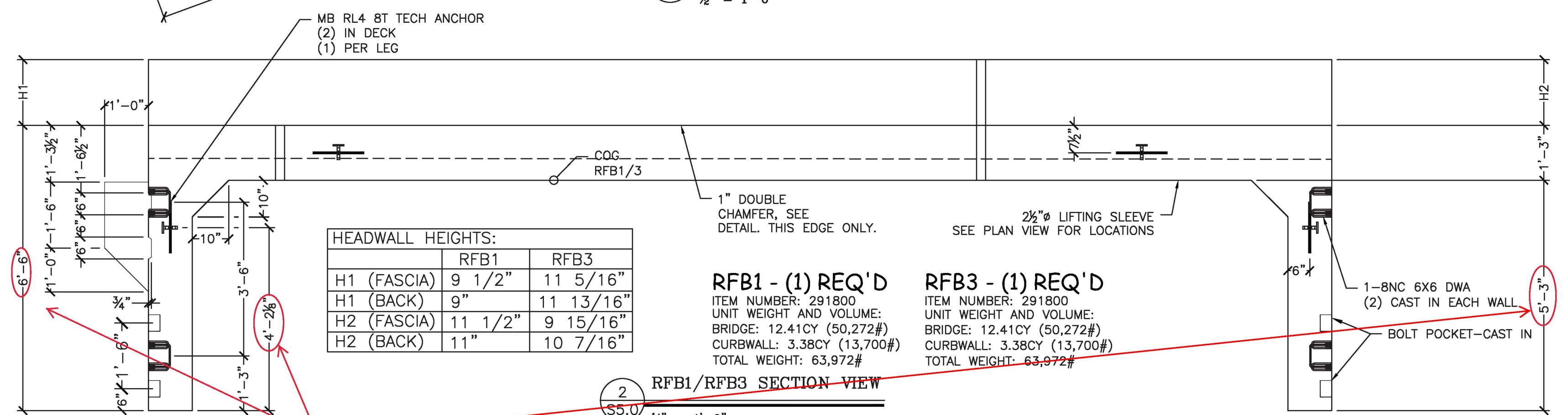
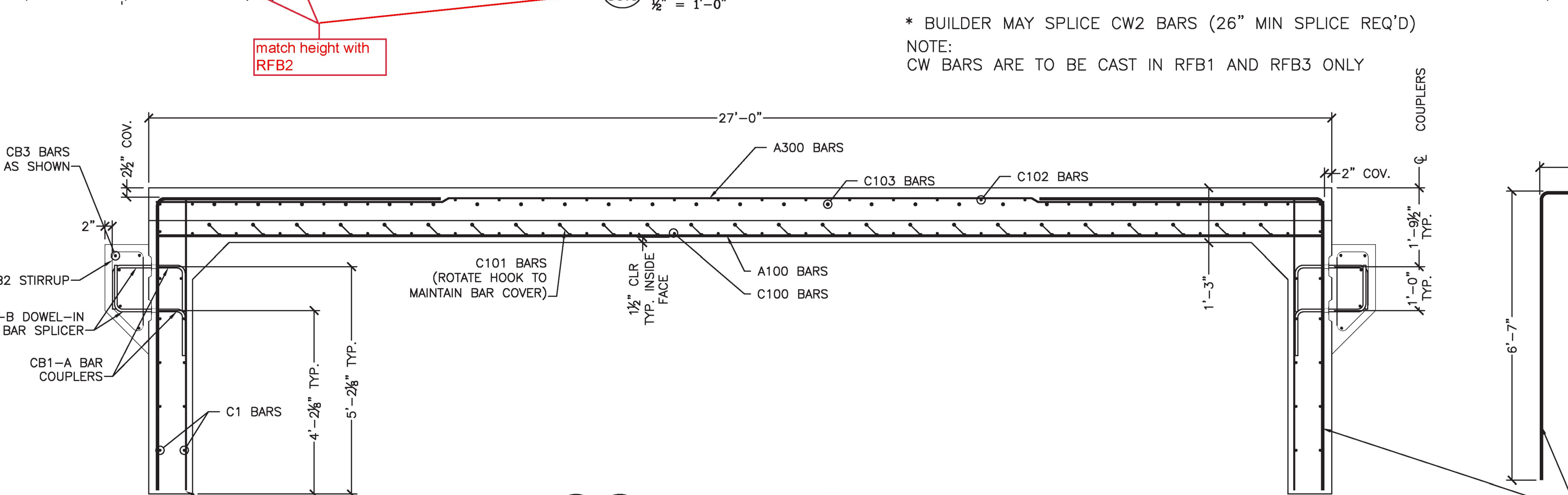


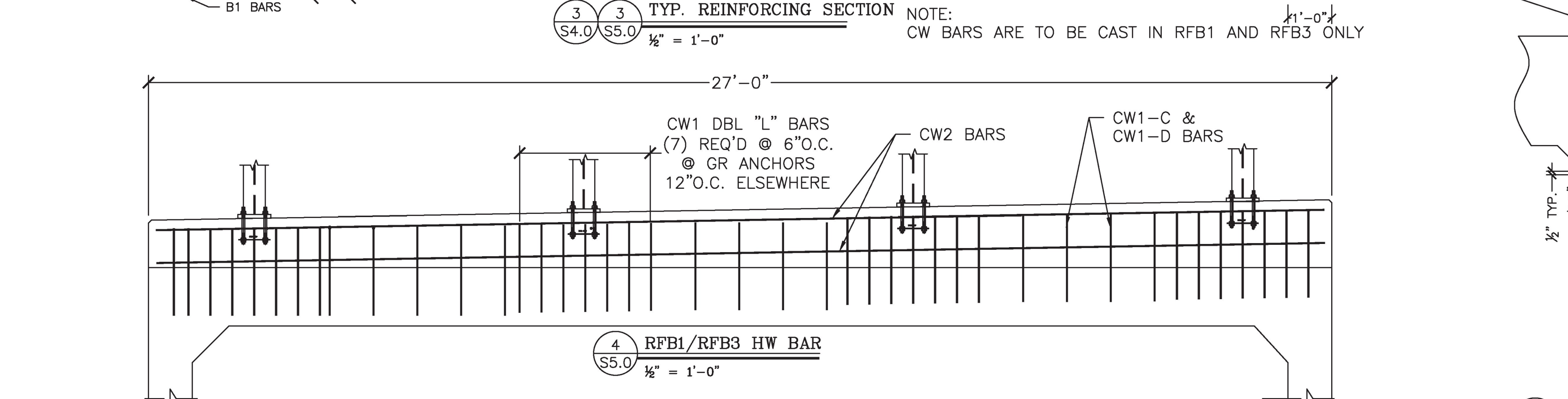
1 RFB1/RFB3 PLAN VIEW
1/2" = 1'-0"



2 RFB1/RFB3 SECTION VIEW
1/2" = 1'-0"



3 TYP. REINFORCING SECTION
1/2" = 1'-0"



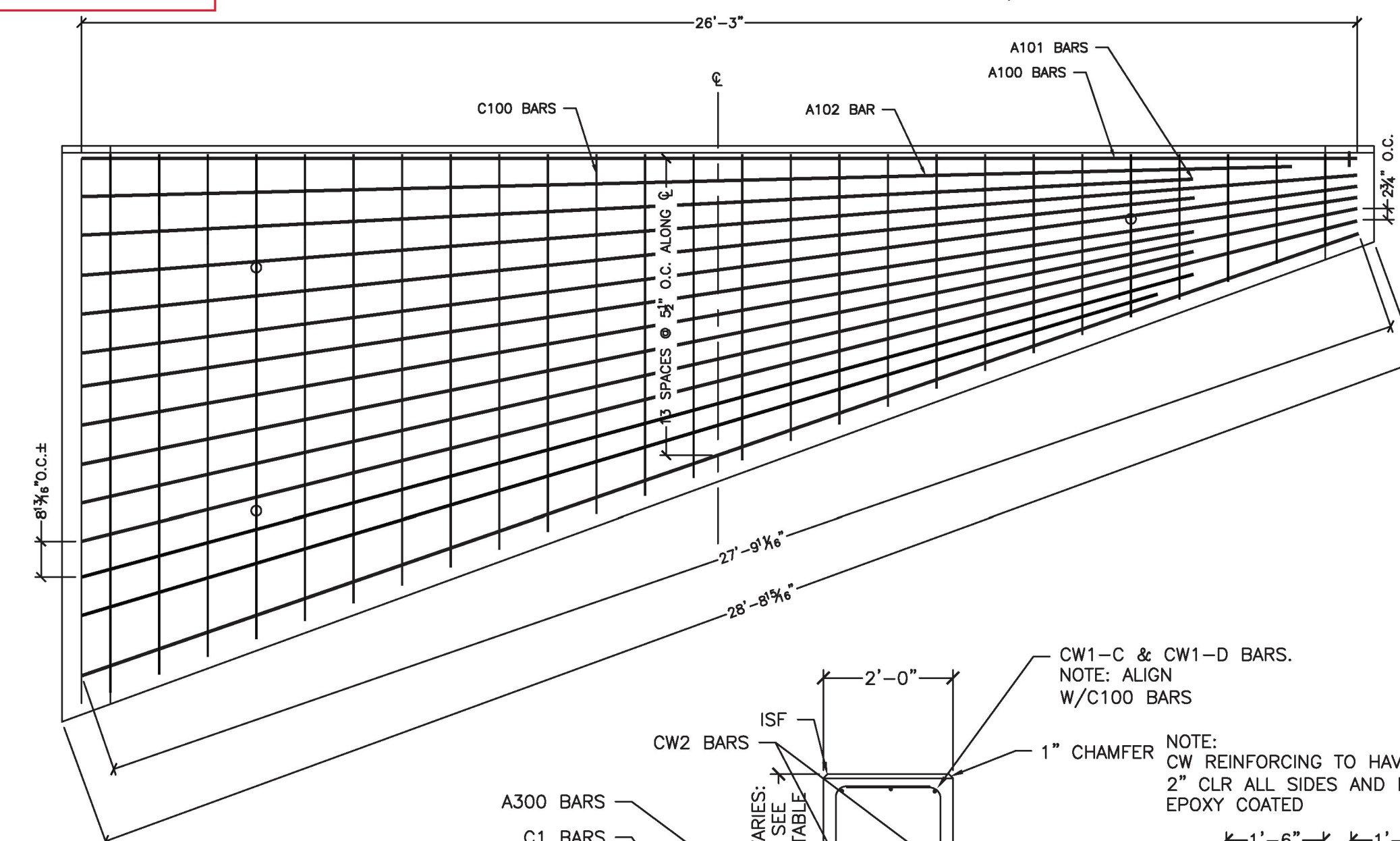
4 RFB1/RFB3 HW BAR
1/2" = 1'-0"

RFB1/RFB3 REINFORCING (EPOXY COATED)						
LOCATION	MARK	QTY	SIZE	SPACING	TYPE	CUT LENGTH
TOP SLAB (INT)	A100	13	#10	7"	STR	28'-0"
TOP SLAB SKEWED (INT)	A101	6	#10	---	STR	23'-6"
TOP SLAB SKEWED (INT)	A102	1	#10	---	STR	24'-11"
TOP SLAB (MID)	A200	4	#5	12"	STR	28'-0"
TOP SLAB (EXT)	A300	8	#4	12"	STR	28'-0"
WALL (EXT)	A1	26	#8	7"	L BAR	17'-4 1/2"
WALL (INT)	B1	15	#4	12"	STR	6'-6"
TOP SLAB LONGIT. (INT)	C100	36	#5	7"	STR	9'-10"
TOP SLAB (LEDGE REINF)	C101	26	#5	12"	SEE BELOW	3'-9"
TOP SLAB LONGIT. (EXT)	C102	26	#4	12"	STR	11'-1"
TOP SLAB CLOSURE REINF.	C103	26	#6	12"	SEE BELOW	3'-10"
WALL LONGIT. (EXT-LONG)	C1	6	#4	12"	STR	11'-6"
WALL LONGIT. (EXT-SHORT)	C1	6	#4	12"	STR	1'-6"
WALL LONGIT. (INT-LONG)	C1	6	#4	12"	STR	11'-1"
WALL LONGIT. (INT-SHORT)	C1	6	#4	12"	STR	2'-0"
CORBEL COUPLERS	CB1-A	24	#5	12"	SEE BELOW	---
CORBEL SPLICERS	CB1-B	24	#5	12"	SEE BELOW	---

verify rebar quantity and length

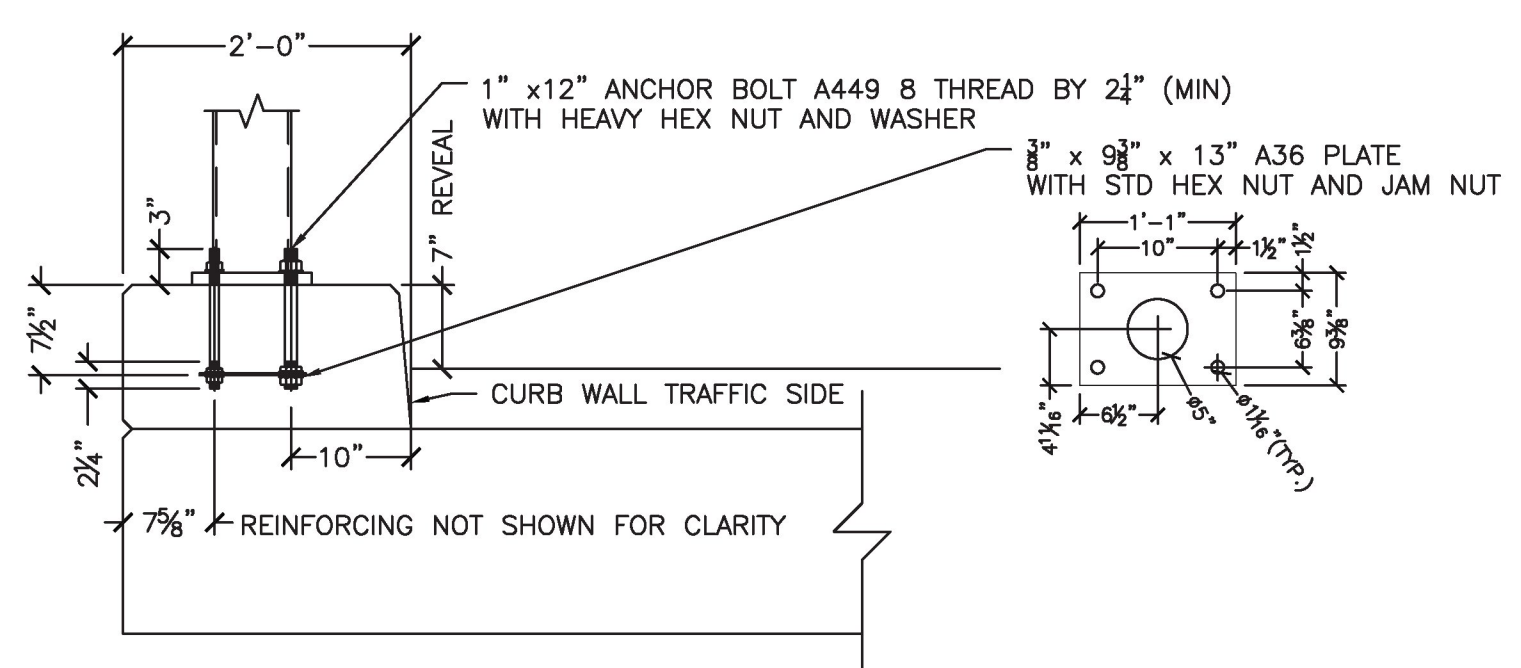
RFB1/RFB3 SUPPLEMENTAL CURB WALL REINFORCING (EPOXY COATED)						
LOCATION	MARK	QTY	SIZE	SPACING	TYPE	CUT LENGTH
CURB WALL	CW1-C	90	#5	12"	L	SEE DETAIL
CURB WALL	CW1-D	90	#5	12"	U	SEE DETAIL
CURB WALL	CW2	5	#5	---	STR	28'-5"

** MAX. SPACING, ALIGN W/TOP SLAB C1 BARS.



5 CURB WALL REINFORCING SECTION
1/2" = 1'-0"

NOTES:
- GUARDRAIL ANCHORAGE COMPONENTS SHALL BE SUPPLIED BY WHITE MOUNTAIN PRECAST, LLC.
- BASE PLATE, POST, AND RAIL BY OTHERS
- ALL COMPONENTS TO BE HOT-DIPPED GALVANIZED.
- SEE VTRANS STANDARD S-360A FOR ADDITIONAL DETAILS

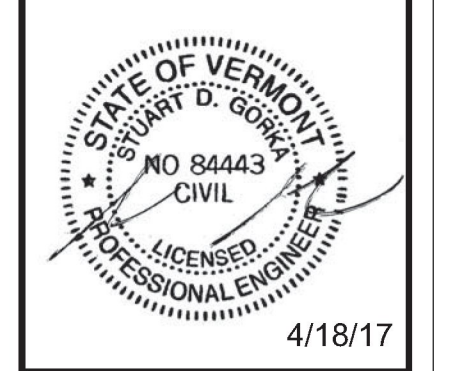


6 GUARDRAIL ANCHORAGE DETAIL
3/4" = 1'-0" (24" CURB 7" REVEAL)

7 CORBEL KEY DETAIL
1" = 1'-0"

SPECIALTY ENGINEERING SERVICES PROVIDED BY:
CONCRETE ENGINEERING SOLUTIONS, LLC
1000 W. 10TH ST. SUITE 100
MILWAUKEE, WI 53233
TEL: 414.224.1111
WWW.CONCRETEENGINEERING.COM

NO.	DATE	REV. PER COMMENTS	BY
1	04/18/2017		SGK



WHITE MOUNTAIN PRECAST, LLC
173 BUXTON INDUSTRIAL DRIVE PO BOX 870
HENRIKER, NH 03242
PHONE: 603-428-3218
FAX: 603-428-7428

US Route 2, Rural Major Collector, Bridge 32
Town of Richmond, Project BF 0284(28)
25'-0" x 5'-3" Rigid Frame Bridge
Rigid Frame and Headwall Details
Project No. 7084
Date: 2/9/17
Drawn by: SGK
Checked by: CTP
Scale: AS SHOWN

Prepared for:
G.W. Tatro Construction
PO Box 339
5195 VT Rt 15
Jeffersonville, VT 05464
DWG NO.
S5.0