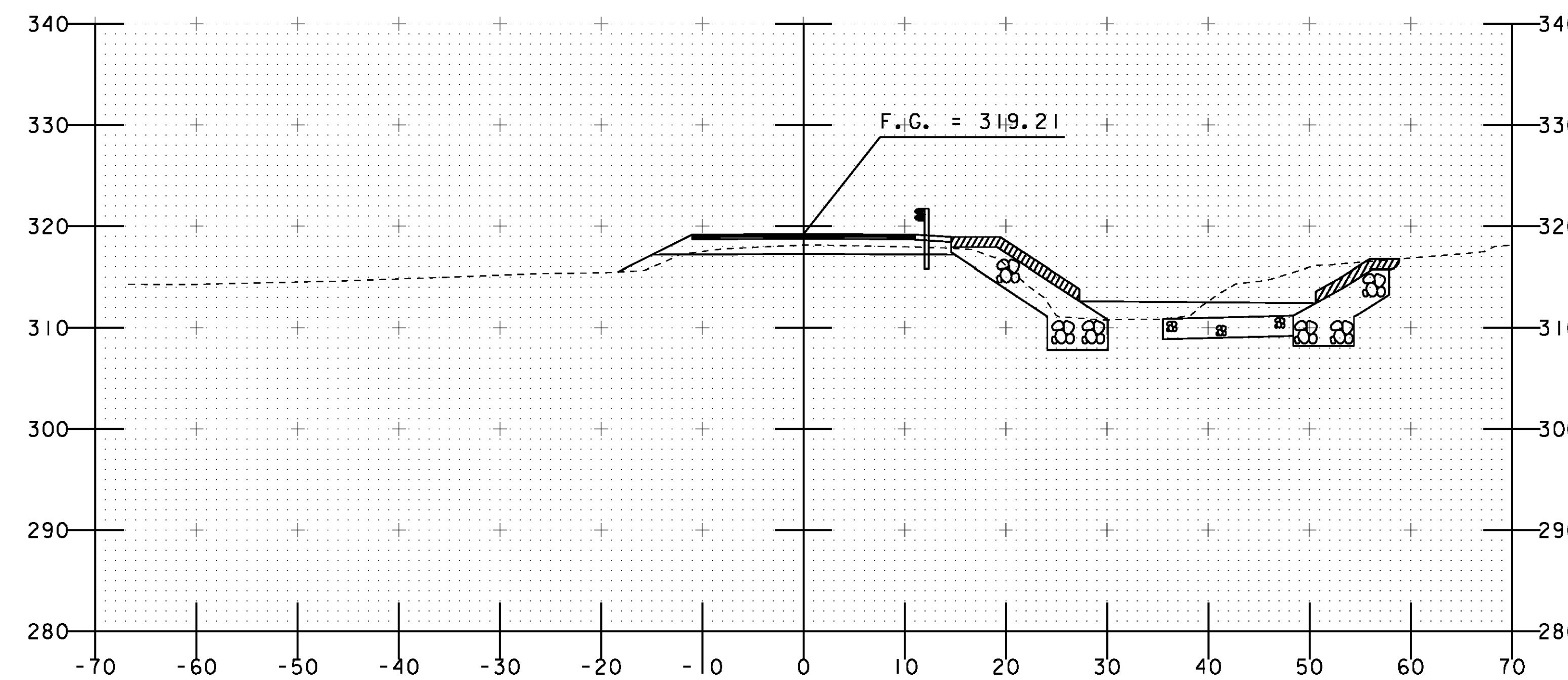
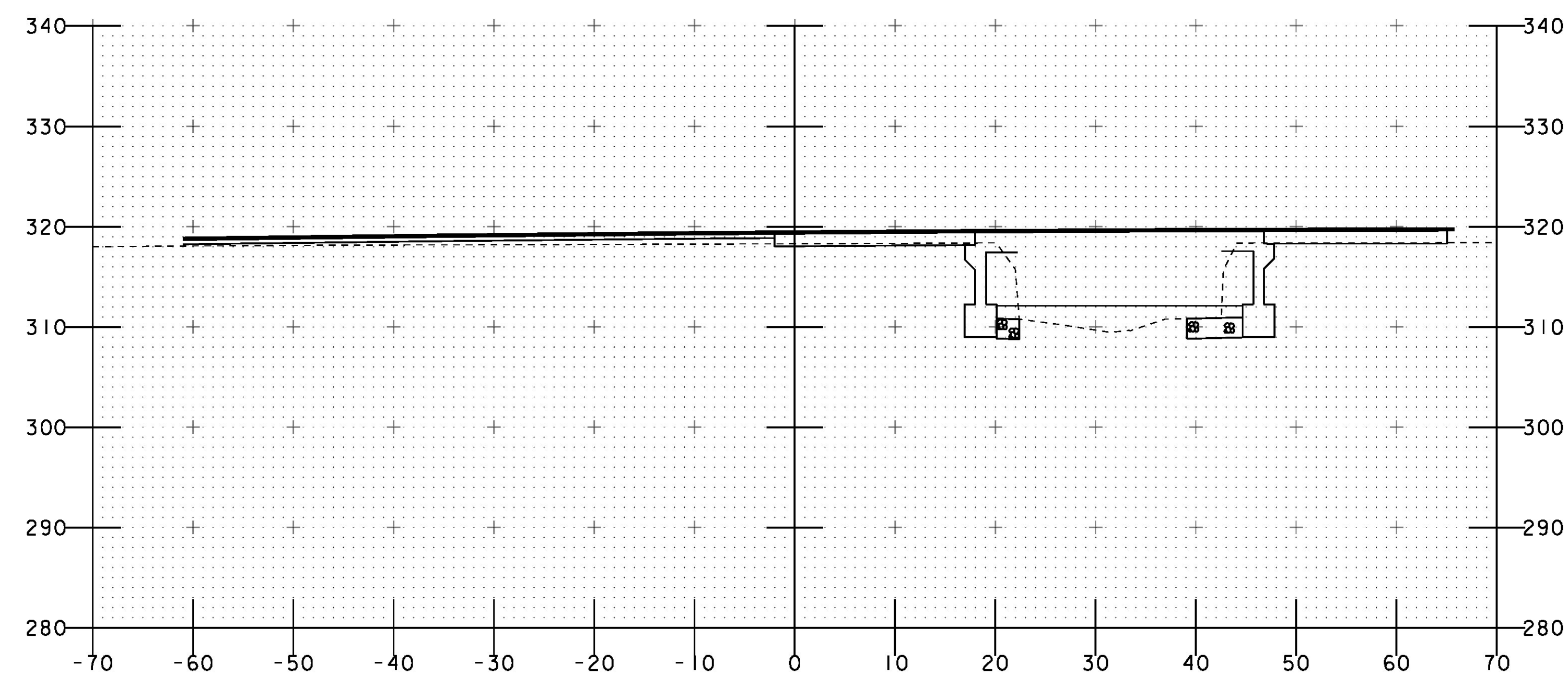


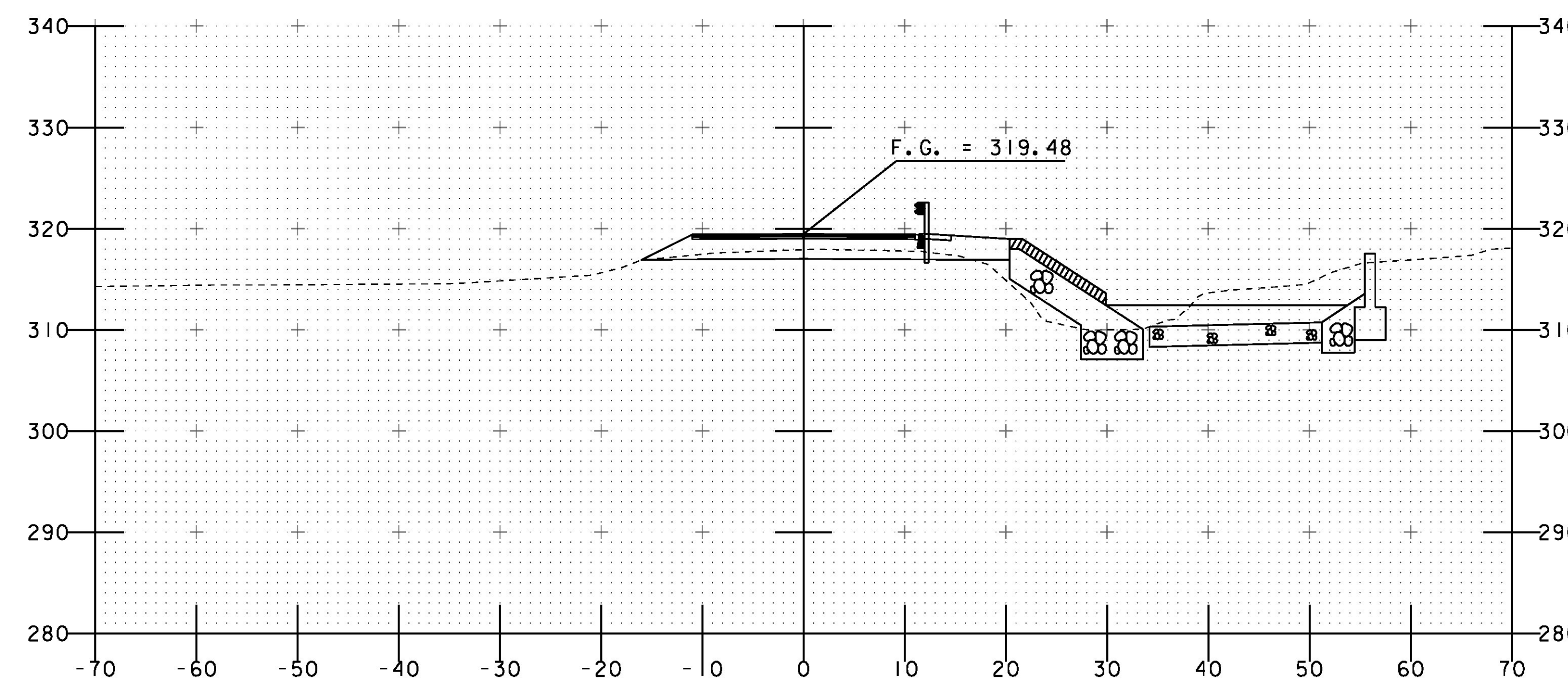
30+25



30+75



30+00



30+50

PROJECT NAME:	RICHMOND
PROJECT NUMBER:	BF 0284(28)
FILE NAME:	sl3c070xs.dgn
PROJECT LEADER:	R. YOUNG
DESIGNED BY:	S. COLEY
TH2 CROSS SECTION I	
PLOT DATE:	13-SEP-2016
DRAWN BY:	S. COLEY
CHECKED BY:	W. LAMMER
SHEET	46 OF 54

STA. 30+00 TO STA. 30+75