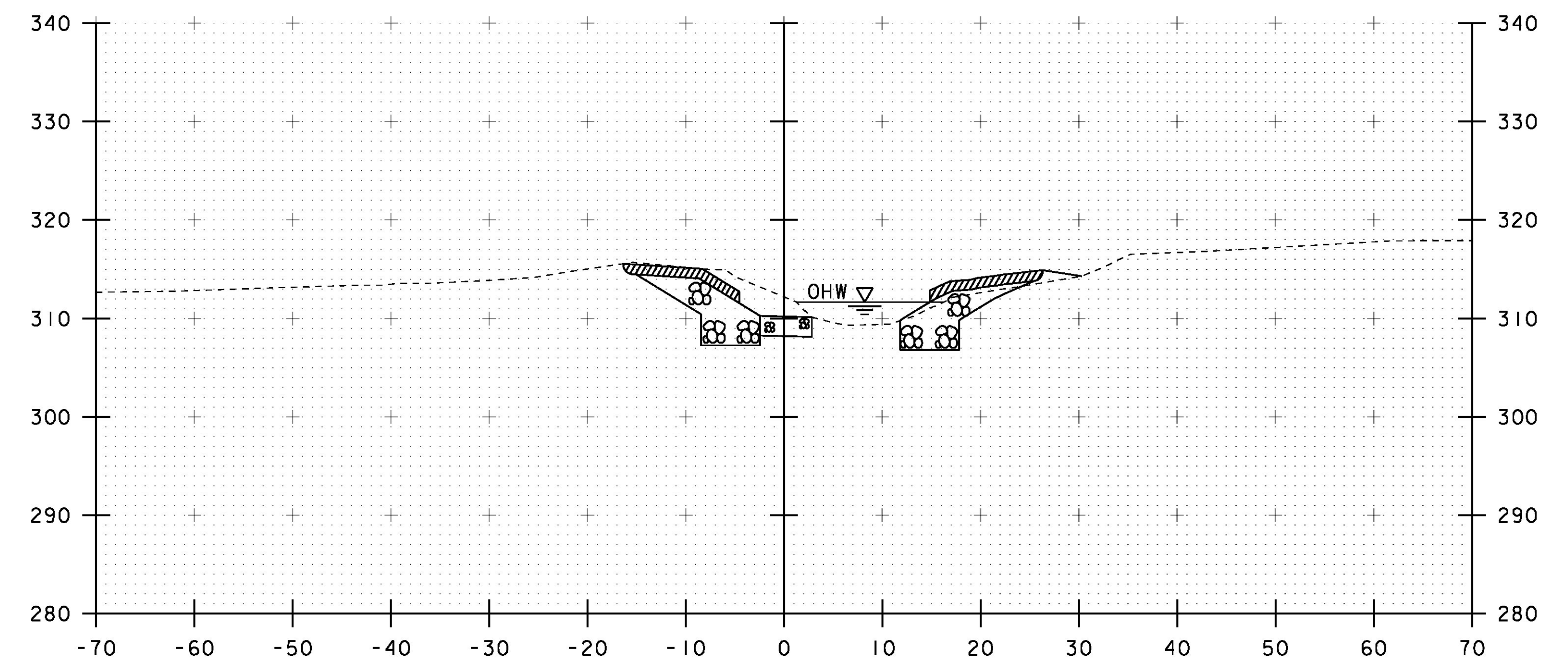
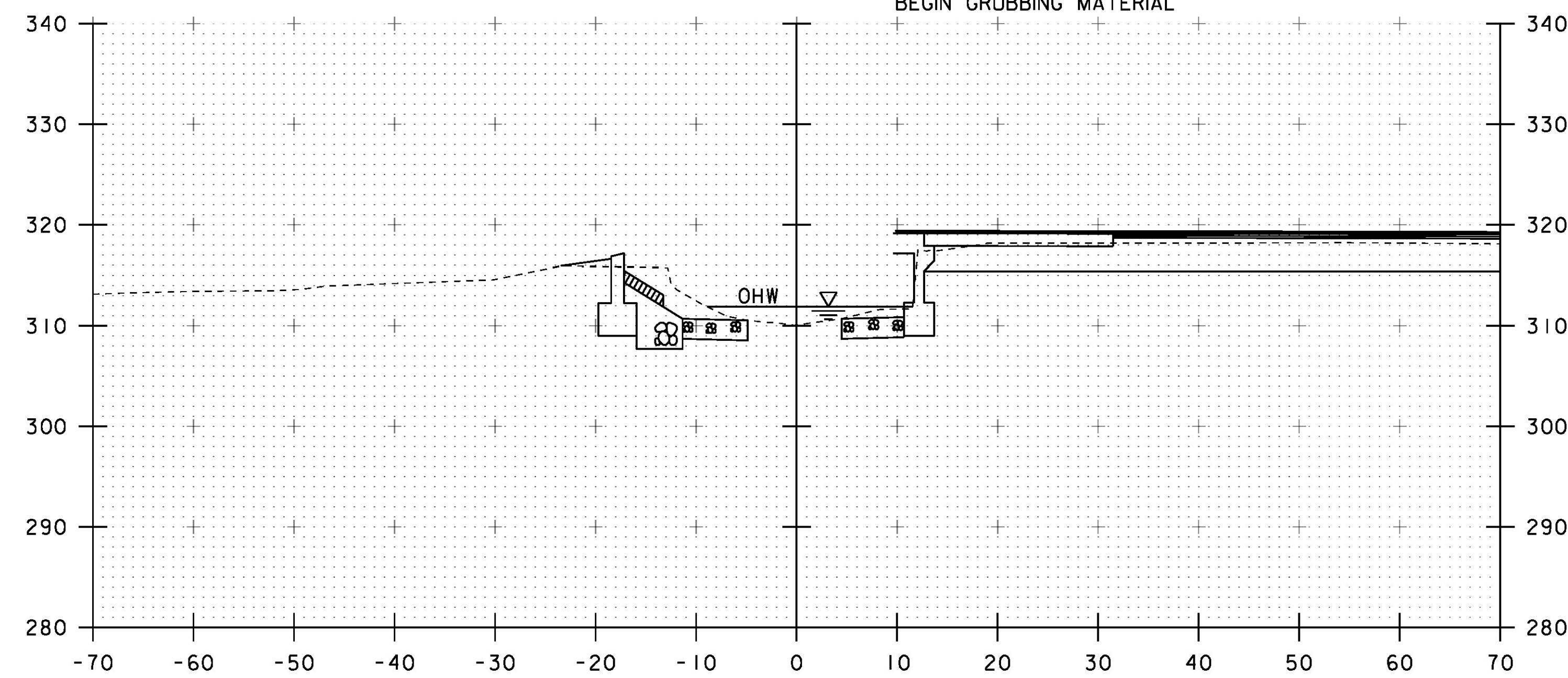


STA 51+29.31 RT
 END STREAM BED MATERIAL, TYPE II

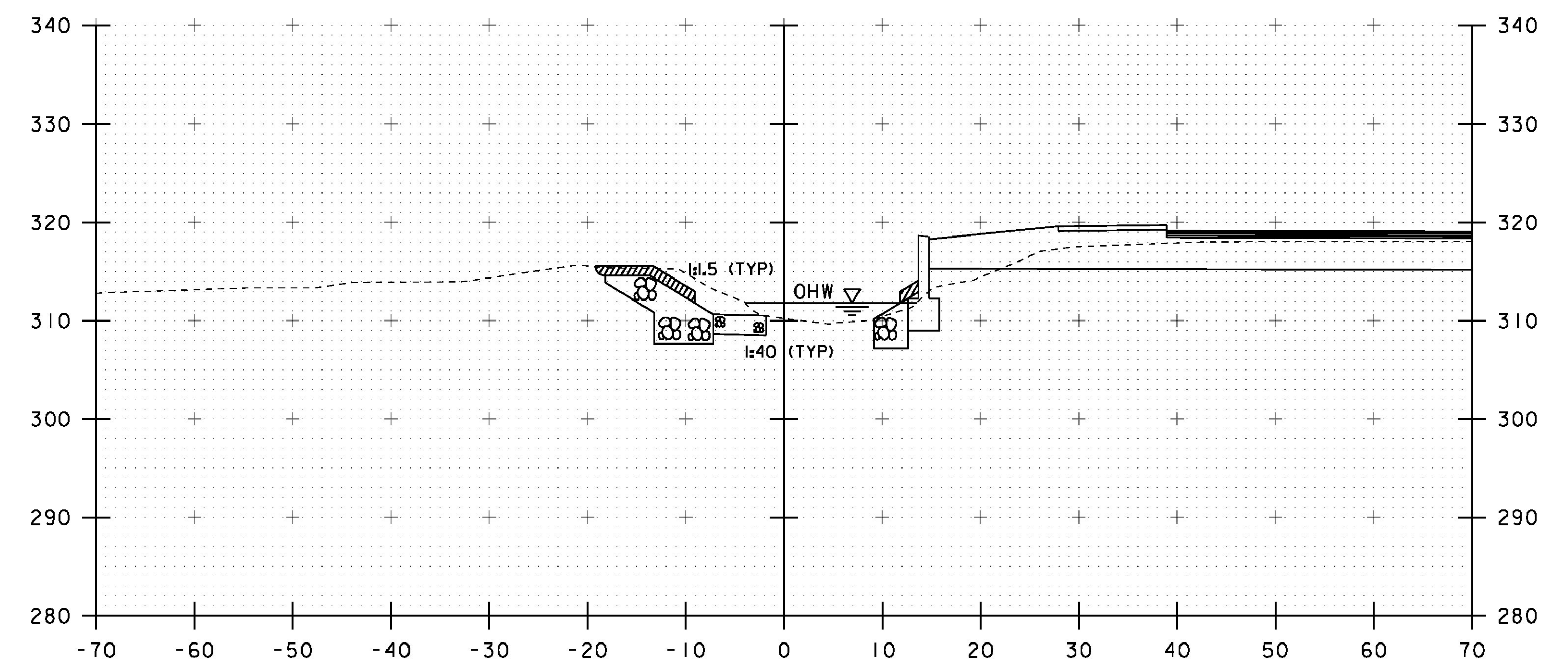
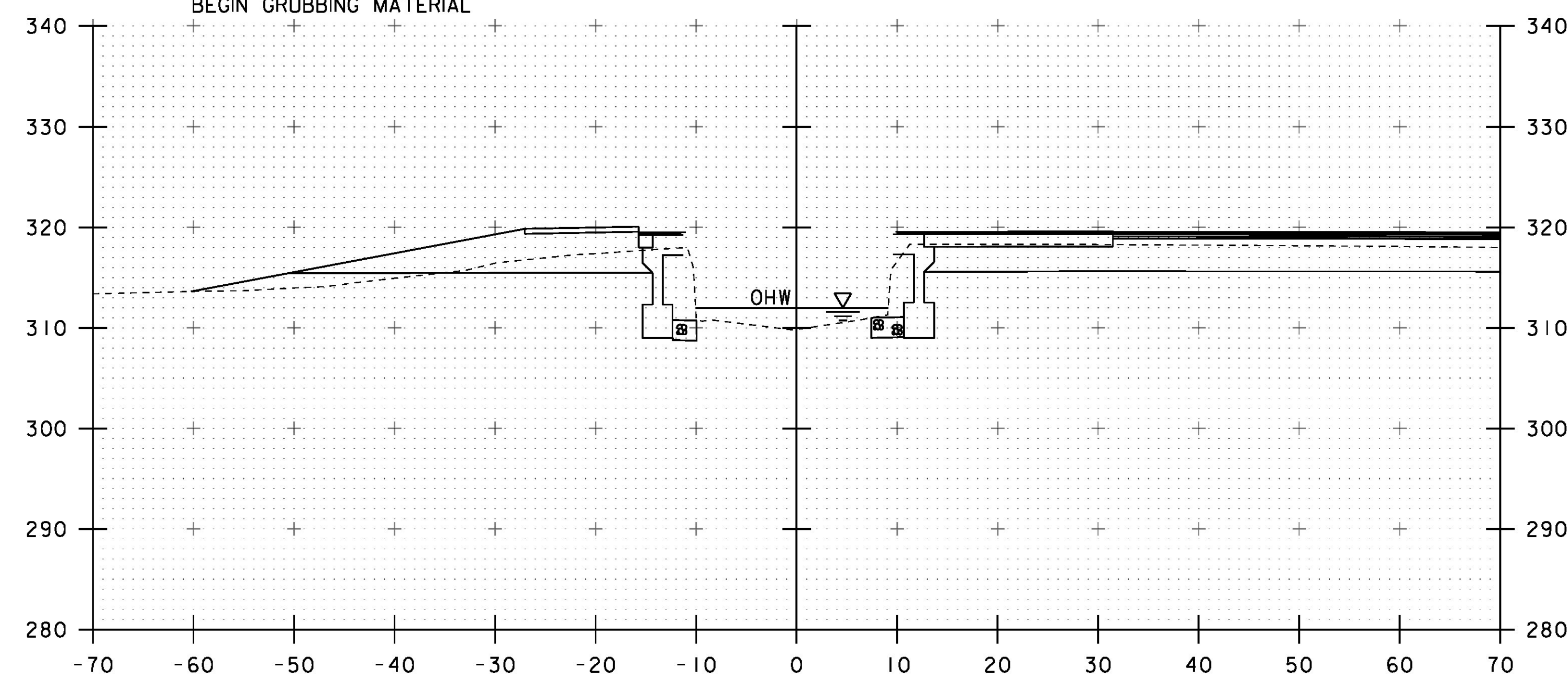
STA 51+24.93 RT
 BEGIN STONE FILL, TYPE III
 BEGIN GRUBBING MATERIAL



51+20

51+40

STA 51+15.27 LT
 BEGIN STONE FILL, TYPE III
 BEGIN GRUBBING MATERIAL



51+10

51+30

STA. 51+10 TO STA. 51+40

PROJECT NAME:	RICHMOND	PLOT DATE:	13-SEP-2016
PROJECT NUMBER:	BF 0284(28)	DRAWN BY:	S. COLEY
FILE NAME:	sl3c070xs.dgn	DESIGNED BY:	S. COLEY
PROJECT LEADER:	R. YOUNG	CHECKED BY:	W. LAMMER
CHANNEL CROSS SECTIONS	3	SHEET	44 OF 54